

EN ORIGINAL INSTRUCTIONS

IMPORTANT - These instructions are for your safety. Please read through them thoroughly prior to handling the product and retain them for future reference.

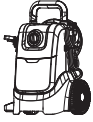
CAUTION: Read the instructions before using the machine!



MCB1286PRW
5063022719553
5063022719492
TTB1288PRW
5063022719591
5063022719614

V11025_5063022719553_MAND4_2425_RP0539

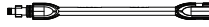
EN Parts



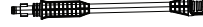
01. x1



02. x1



03. x1



04. x1



05. x1



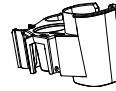
06. x1



07. x1



08. x1



09. x1



10. x1



11. x1



12. x1



13. x1



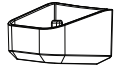
14. x3
(Ø5.1 x 1.8, x2)
(Ø11.5 x 2.5, x1)



15. x1
(ST3.5 x 13)



16. x2
(ST4.8 x 16)
(ST4.8 x 16 with
big screw head)



17. x1

EN You will need



x1

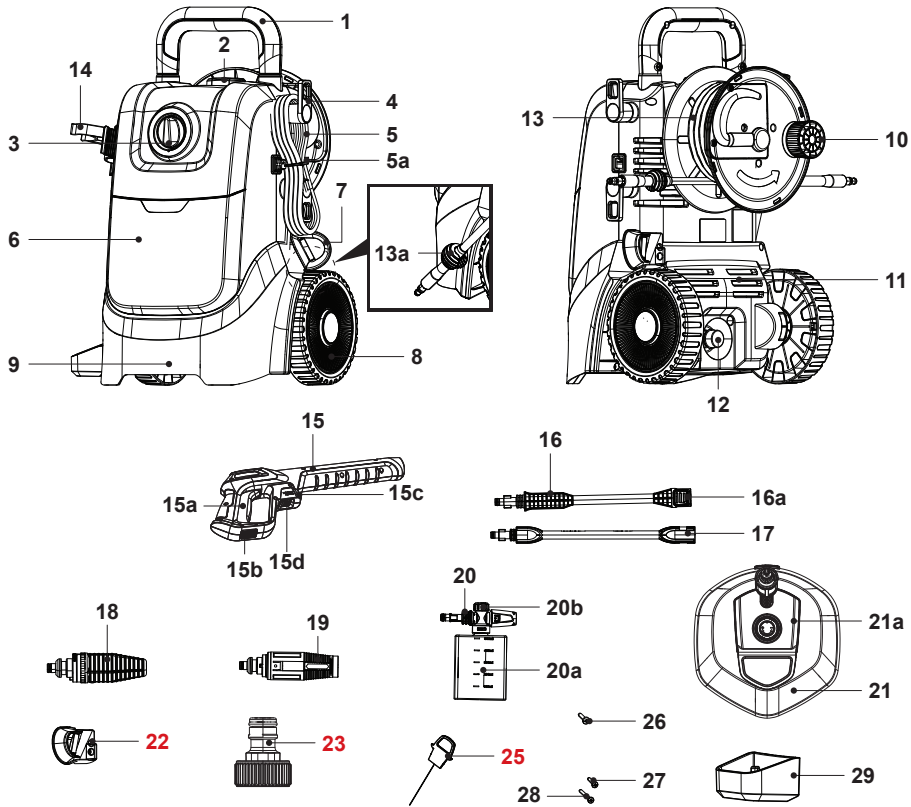
(items not supplied)

- Suitable personal protective equipment
- Suitable extension cord for outdoor use
- Garden hose with coupling and filter
- Suitable detergent
- Suitable cross-head screwdriver

EN Contents

EN	
Product description	3
Safety	4
Preparation	14
Assembly	15
Functions & Settings	20
Use	26
Care & maintenance	29
Guarantee	35
Declaration of conformity	37

EN Product description



- | | | |
|-------------------------------|------------------------|--|
| 1. Transport handle | 13. Pressure hose | 20. Detergent bottle nozzle |
| 2. Handle lock button | a. Retaining ring | a. Bottle |
| 3. On/off rotary switch (I/O) | 14. Suspension bracket | b. Soap adjustment knob |
| 4. Cord anchor (x2) | 15. Spray gun | 21. Patio brush |
| 5. Power cord with plug | a. Trigger | a. Flow adjustment knob |
| a. Cord clip | b. Trigger lock | 22. Water inlet adaptor |
| 6. Motor housing | c. Quick release lever | 23. Needle |
| 7. Hose guide | d. Hose connector | 24. O ring (Ø5.1 x 1.8) (x2) |
| 8. Rear wheel (x2) | 16. Extension lance | 25. O ring (Ø11.5 x 2.5) |
| 9. Front foot (x2) | a. Lock button | 26. Screw (ST3.5 x 13) |
| 10. Hose reel knob | 17. Extension pole | 27. Screw (ST4.8 x 13) |
| 11. Air vents | 18. Turbo nozzle | 28. Screw (ST4.8 x 16 with big screw head) |
| 12. Water inlet connector | 19. Variable nozzle | 29. Gun holder |



General Machine Safety Warnings



WARNING! READ ALL SAFETY WARNINGS, INSTRUCTIONS, ILLUSTRATIONS AND SPECIFICATIONS PROVIDED WITH THIS POWER TOOL. FAILURE TO FOLLOW ALL INSTRUCTIONS LISTED BELOW MAY RESULT IN ELECTRIC SHOCK, FIRE AND/OR SERIOUS INJURY.

SAVE ALL WARNINGS AND INSTRUCTIONS FOR FUTURE REFERENCE.

THE TERM “POWER TOOL” IN THE WARNINGS REFERS TO YOUR MAINS-OPERATED (CORDED) POWER TOOL OR BATTERY-OPERATED (CORDLESS) POWER TOOL.

Work area safety

- **Keep work area clean and well lit.** Cluttered or dark areas invite accidents.
- **Do not operate machines in explosive atmospheres, such as in the presence of flammable liquids, gases or dust.** Machines create sparks which may ignite the dust or fumes.
- **Keep children and bystanders away while operating a machine.** Distractions can cause you to lose control.

Electrical safety

- **Machine plugs must match the outlet. Never modify the plug in any way. Do not use any adapter plugs with earthed (grounded) machines.** Unmodified plugs and matching outlets will reduce risk of electric shock.
- **Avoid body contact with earthed or grounded surfaces, such as pipes, radiators, ranges and refrigerators.** There is an increased risk of electric shock if your body is earthed or grounded.
- **Do not abuse the cord. Never use the cord for carrying, pulling or unplugging the machine. Keep cord away from heat, oil, sharp edges or moving parts.** Damaged or entangled cords increase the risk of electric shock.
- **When operating a machine outdoors, use an extension cord suitable for outdoor use.** Use of a cord suitable for outdoor use reduces the risk of electric shock.
- **If operating a machine in a damp location is unavoidable, use a residual current device (RCD) protected supply.** Use of an RCD reduces the risk of electric shock.

Additional safety warnings for high pressure washer:

- This machine can be used by people with reduced physical, sensory or mental capabilities or lack of experience and knowledge if they have been given supervision or instruction concerning use of the machine in a safe way and understand the hazards involved.
- Machines shall not be used by children.
- Children should be supervised to ensure that they do not play with the appliance.
- Regularly check the power cord for damage. If the supply cord is damaged, it must be replaced by the manufacturer, its service agent or similarly qualified persons in order to avoid a hazard.
- Wear appropriate Personnel Protection Equipment (PPE) while operation e.g. safety boots, safety gloves, safety helmets with visors, hearing protection etc.



WARNING! INADEQUATE EXTENSION CORDS CAN BE DANGEROUS. IF AN EXTENSION CORD IS USED, IT SHALL BE SUITABLE FOR OUTDOOR USE, AND THE CONNECTION HAS TO BE KEPT DRY AND OFF THE GROUND. IT IS RECOMMENDED THAT THIS IS ACCOMPLISHED BY MEANS OF A CORD REEL WHICH KEEPS THE SOCKET AT LEAST 60 MM ABOVE THE GROUND.



WARNING! REMOVE THE PLUG FROM THE SOCKET-OUTLET AND DISCONNECTED FROM THE POWER SOURCE DURING CLEANING OR MAINTENANCE AND WHEN REPLACING PARTS OR CONVERTING THE MACHINE TO ANOTHER FUNCTION.

- Do not touch plug or outlet with wet hands. The electric supply connection shall be made by a qualified electrician and comply with IEC 60364-1. It is recommended that the electric supply to this machine should include either a residual current device that will interrupt the supply if the leakage current to earth exceeds 30 mA for 30 ms or a device that will prove the earth circuit.



WARNING! ALWAYS SWITCH OFF THE MAINS DISCONNECTING SWITCH WHEN LEAVING THE MACHINE UNATTENDED.

- Never carry your pressure washer by the cord. Do not pull on the cord to disconnect from the power outlet.



WARNING! DURING USE OF HIGH PRESSURE CLEANERS, AEROSOLS MAY BE FORMED. INHALATION OF AEROSOLS CAN BE HAZARDOUS TO HEALTH.



WARNING! HIGH PRESSURE INJECTION INJURIES ARE CONSIDERED TO BE MEDICAL EMERGENCIES. IN THE EVENT OF A HIGH PRESSURE INJECTION INJURY OCCURRING, SEEK MEDICAL ADVICE IMMEDIATELY.



WARNING! IT IS PROHIBITED TO USE PRESSURE WASHERS ON MATERIALS CONTAINING ASBESTOS (CEMENT SHEET ROOFS, FENCES, WALLS ETC.). LARGE NUMBERS OF ASBESTOS FIBRES MAY BE RELEASED INTO THE AIR, POSING A SERIOUS HEALTH HAZARD. IF UNSURE ABOUT THE MATERIALS YOU ARE SPRAYING, IT IS RECOMMENDED THAT YOU CONTACT YOUR LOCAL COUNCIL OR GOVERNMENT AUTHORITY.



WARNING! HIGH PRESSURE CLEANERS SHALL NOT BE USED BY CHILDREN OR UNTRAINED PERSONNEL.

- Improper control of gun / lance can result in injuries to self, others and property damage. Reactive force from the spray can result in gun / lance movement, potentially causing the operator to slip, fall or misdirect the spray.



WARNING! BECOME FAMILIAR WITH THE OPERATION AND CONTROLS OF THE PRESSURE WASHER. DO NOT USE THE APPLIANCE IF A SUPPLY CORD OR IMPORTANT PARTS OF THE APPLIANCE ARE DAMAGED, E.G. SAFETY DEVICES, HIGH PRESSURE HOSES AND TRIGGER GUN.

- Never modify or remove the safety features of this appliance. Do not operate the appliance with missing, broken or unauthorized parts.
- Never leave lance unattended while the appliance is running.
- Never tie knots or kink the high-pressure hose as damage could result.
- Keep the work area free of obstacles.
- Stand on stable surface and grip gun / lance firmly with both hands. High pressure may cause objects to rebound. If necessary, wear suitable personnel protective equipment such as safety goggles.
- Vehicle tyres / tyre valves may only be cleaned from a minimum distance of 30 cm in order to avoid damages by the high-pressure jet. The first indication of damage is the discoloration of the tyre. Damaged vehicle tyres / tyre valves are dangerous to life.



WARNING! RISK OF EXPLOSION – DO NOT SPRAY FLAMMABLE LIQUIDS, SUCH AS GASOLINE, FUEL OIL, KEROSENE, SOLVENTS OR THINNERS. FAILURE TO FOLLOW TO THIS WARNING CAN RESULT IN SERIOUS PERSONAL INJURY, DEATH AND/OR PROPERTY DAMAGE.



WARNING! THIS MACHINE HAS BEEN DESIGNED FOR USE WITH THE CLEANING AGENT SUPPLIED OR RECOMMENDED BY THE MANUFACTURER. THE USE OF OTHER CLEANING AGENTS OR CHEMICALS MAY ADVERSELY AFFECT THE SAFETY OF THE MACHINE.



WARNING! DO NOT USE THE APPLIANCE WITHIN RANGE OF PERSONS UNLESS THEY WEAR PROTECTIVE CLOTHING.



WARNING! HIGH PRESSURE JETS CAN BE DANGEROUS IF SUBJECT TO MISUSE. THE JET MUST NOT BE DIRECTED AT PERSONS, ANIMALS, LIVE ELECTRICAL EQUIPMENT OR THE MACHINE ITSELF. DO NOT DIRECT THE JET AGAINST YOURSELF OR OTHERS IN ORDER TO CLEAN CLOTHES OR FOOT-WEAR.



WARNING! TO ENSURE MACHINE SAFETY, USE ONLY ORIGINAL SPARE PARTS FROM THE MANUFACTURER OR APPROVED BY THE MANUFACTURER.



WARNING! HIGH PRESSURE HOSES, FITTINGS AND COUPLINGS ARE IMPORTANT FOR THE SAFETY OF THE MACHINE. USE ONLY HOSES, FITTINGS AND COUPLINGS RECOMMENDED BY THE MANUFACTURER.



WARNING! THIS MACHINE MUST NOT BE CONNECTED TO THE POTABLE WATER MAINS WITHOUT BACKFLOW PREVENTION. CHECK LOCAL AND NATIONAL PIPELINE REGULATIONS BEFORE CONNECTING THE PRODUCT TO THE POTABLE WATER MAINS. WATER THAT HAS FLOWED THROUGH A BACKFLOW PREVENTER IS CONSIDERED TO BE NON-POTABLE.



WARNING! DEPENDING ON THE APPLICATION, SHIELDED NOZZLES CAN BE USED FOR HIGH PRESSURE CLEANING, WHICH WILL REDUCE THE EMISSION OF HYDROUS AEROSOLS DRAMATICALLY. HOWEVER, NOT ALL APPLICATIONS ALLOW THE USE OF SUCH A DEVICE. IF SHIELDED NOZZLES ARE NOT APPLICABLE FOR THE PROTECTION AGAINST AEROSOLS, A RESPIRATORY MASK OF CLASS FFP 2 OR EQUIVALENT MAY BE NEEDED, DEPENDING ON THE CLEANING ENVIRONMENT.

Emergency

Familiarise yourself with the use of this machine by means of this instruction manual. Memorise the safety directions and follow them to the letter. This will help to prevent risks and hazards.

- **Always be alert when using this machine, so that you can recognise and handle risks early.** Fast intervention can prevent serious injury and damage to property.
- **Switch the machine off and disconnect the plug from the power supply if there are malfunctions.** Have the machine checked by a qualified professional and repaired, if necessary, before you operate it again.

Residual risks

Even if you are operating this machine in accordance with all the safety requirements, potential risks of injury and damage remain. The following dangers can arise in connection with the structure and design of this machine:

- Health defects resulting from vibration emission if the machine is being used over long periods of time or not adequately managed and properly maintained.






- Injuries and damage to property due to broken attachments or the sudden impact of hidden objects during use.
- Danger of injury and property damage caused by flying objects or poor machine accessories.



WARNING! THIS PRODUCT PRODUCES AN ELECTROMAGNETIC FIELD DURING OPERATION! THIS FIELD MAY UNDER SOME CIRCUMSTANCES INTERFERE WITH ACTIVE OR PASSIVE MEDICAL IMPLANTS! TO REDUCE THE RISK OF SERIOUS OR FATAL INJURY, WE RECOMMEND PERSONS WITH MEDICAL IMPLANTS TO CONSULT THEIR DOCTOR AND THE MEDICAL IMPLANT MANUFACTURER BEFORE OPERATING THIS PRODUCT!

Symbols

On the product, the rating label and within these instructions you will find among others the following symbols and abbreviations. Familiarise yourself with them to reduce hazards like personal injuries and damage to property.

V ~	Volt, (alternating voltage)	Hz	Hertz
W	Watt	l/h	Litre per hour
mm	Millimetre	m	Metre
g	Gram	kg	Kilogram
MPa	Mega Pascal, pressure unit	bar	Pressure unit
N	Newton	kWh/yr	Kilowatt hours per year
dB(A)	Decibel (A-rated)	m/s ²	Metres per second squared
	Lock / to tighten or secure.		Unlock / to loosen.
	Read the instruction manual.		
	Note / Remark.		Caution / Warning.
yyWxx	Manufacturing date code; year of manufacturing (20yy) and week of manufacturing (Wxx).		
IPX5	Protected against water jets.		



Always wear ear protection.



Always wear eye protection.



Wear a dust mask.



Wear protective gloves.



Wear protective, slip-resistant footwear.



Wear tight-fitting protective clothes.



Switch the machine off and disconnect it from the power supply before assembly, cleaning, adjustments, maintenance, storage and transportation.



Remove plug from the mains immediately if the cable or extension cord is entangled, damaged or cut. **DON'T TOUCH THE CORD BEFORE DISCONNECTING THE SUPPLY.**



Objects thrown by the machine could hit the user or other bystanders. Always ensure that other people and pets remain at a safe distance from the machine when it is in operation. In general, children must not come near the area where the machine is.



This machine is not suitable for connection to the potable water mains.



Do not direct the water jet at persons, animals, live electrical equipment or the product itself.



This product is of protection class II. That means it is equipped with enhanced or double insulation.



Guaranteed sound power level value in 92 dB(A).




WEEE symbol. Waste electrical products should not be disposed of with household waste. Please recycle where facilities exist. Check with your Local Authority or local store for recycling advice.



The product complies with the applicable European directives and an evaluation method of conformity for these directives was done.

Technical specifications

General

> Rated voltage, frequency	: 230-240 V~, 50 Hz
> Rated power input	: 2200 W
> Rated pressure P_{rated}	: 10.5 MPa (105 bar)
> Allowable pressure P_{max}	: 15.5 MPa (155 bar)
> Rated flow rate Q_{rated}	: 360 l/h
> Max flow rate Q_{max}	: 460 l/h
> Max. inlet pressure $P_{IN MAX}$: 1 MPa (10 bar)
> Max. water temperature	: 50 °C
> Annual energy consumption	: 30 kWh/yr
> Kickback force at handle	: < 20 N
> Protection class	: II / 
> Degree of protection	: IPX5
> Weight	: approx. 11.2 kg (net) approx. 13.6 kg (gross)
> Length of pressure hose	: approx. 8 m
> Length of power cord	: approx. 5 m
> Dimensions	: approx. 335 x 342 x (593-850) mm
> Maximum permissible system impedance Z_{max}	: 0.371 ohm

Sound values

> Sound pressure level L_{pA}	: 90.7 dB(A)
> Uncertainty K_{pA}	: 3 dB(A)
> Measured sound power level L_{WA}	: 91.5 dB(A)
> Uncertainty K_{WA}	: 3 dB(A)
> Guaranteed sound power level L_{WA} (acc. to 2000/14/EC amended by 2005/88/EC)	: 92 dB(A)

Hand arm vibration values

> Handle $a_{h,W}$: 2.5 m/s ²
> Uncertainty K	: 1.5 m/s ²

The sound values have been determined according to noise test code given in EN ISO 3744:1955.

The sound intensity level for the operator may exceed 80 dB(A) and ear protection measures are necessary.

The declared vibration total values and the declared noise emission values have been measured in accordance with a standard test method (ISO 3744:2010, EN 60335-2-79) and may be used for comparing one product with another. They may also be used in a preliminary assessment of exposure.



WARNING! THE VIBRATION AND NOISE EMISSION DURING ACTUAL USE OF THE MACHINE CAN DIFFER FROM THE DECLARED TOTAL VALUE DEPENDING ON THE WAYS IN WHICH THE MACHINE IS USED ESPECIALLY WHAT KIND OF WORKPIECE IS PROCESSED.

THE NEED TO IDENTIFY SAFETY MEASURES TO PROTECT THE OPERATOR THAT ARE BASED ON AN ESTIMATION OF EXPOSURE IN THE ACTUAL CONDITIONS OF USE (TAKING ACCOUNT OF ALL PARTS OF THE OPERATING CYCLE SUCH AS THE TIMES WHEN THE MACHINE IS SWITCHED OFF AND WHEN IT IS RUNNING IDLE IN ADDITION TO THE TRIGGER TIME).

Rating label explanation

MCB1286PRW = Model number

MC = **MACAllister** (brand name)

B = Voltage (230-240 V~)

1286 = Sequential code

PRW = High pressure washer

TTB1288PRW = Model number

TT = **TITAN** (brand name)

B = Voltage (230-240 V~)

1288 = Sequential code

PRW = High pressure washer

EN Preparation

Unpacking

1. Unpack all parts and lay them on a flat, stable surface.
2. Remove all packing materials and shipping devices if applicable.
3. Make sure the delivery contents are complete and free of any damage. If you find that parts are missing or show damage do not use the machine but contact your dealer. Using an incomplete or damaged machine represents a hazard to people and property.
4. Ensure that you have all the accessories and tools needed for assembly and operation. This also includes suitable personal protective equipment.



WARNING! THE MACHINE AND THE PACKAGING ARE NOT CHILDREN'S TOYS! CHILDREN MUST NOT PLAY WITH PLASTIC BAGS, SHEETS AND SMALL PARTS! THERE IS A DANGER OF CHOKING AND SUFFOCATION!

You will need

(items not supplied)

Suitable personal protective equipment
Suitable extension cord for outdoor use
Garden hose with coupling and filter
Suitable detergent
Suitable cross-head screwdriver

(items supplied)

Pressure hose (13)
Spray gun (15)
Extension lance (16)
Extension pole (17)
Turbo nozzle (18)
Variable nozzle (19)
Detergent bottle nozzle (20)
Patio brush (21)
Water inlet adaptor (22)
Needle (23)
O ring (Ø5.1 x 1.8) (x2) (24)
O ring (Ø11.5 x 2.5) (25)
Screw (ST3.5 x 13) (26)
Screw (ST4.8 x 16) (27)
Screw (ST4.8 x 16 with big screw head) (28)
Gun holder (29)



NOTE: The accessories required depend on the intended application. Ask your dealer for advice.



WARNING! THE MACHINE MUST BE FULLY ASSEMBLED BEFORE OPERATION! DO NOT USE A MACHINE THAT IS ONLY PARTLY ASSEMBLED OR ASSEMBLED WITH DAMAGED PARTS!



FOLLOW THE ASSEMBLY INSTRUCTIONS STEP-BY-STEP AND USE THE PICTURES PROVIDED AS A VISUAL GUIDE TO EASILY ASSEMBLE THE MACHINE!

BEFORE USING THE MACHINE, FAMILIARISE YOURSELF WITH THE OPERATING FEATURES READ THE ENTIRE INSTRUCTION MANUAL PAYING PARTICULAR ATTENTION TO THE SAFETY RULES AND OPERATING PROCEDURES.

DO NOT CONNECT THE MACHINE TO POWER SUPPLY BEFORE ASSEMBLY.

Suspension plate

1. Slide the suspension bracket (14) onto its rest and align the mounting hole, then use a suitable cross-head screwdriver (not supplied) to secure the connection with a screw (ST3.5 x 13) (26) (Fig. 1a).

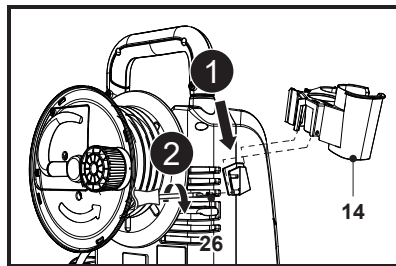


Fig. 1a

2. Press down to align with the U-shaped groove at the bottom of the housing. (Fig. 1b)

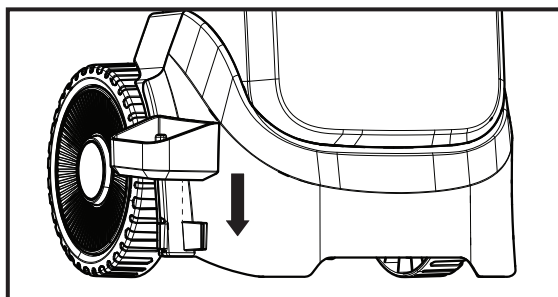


Fig. 1b

Hose guide

Align the mounting hole on the hose guide (7) with its rest on the machine, then use a suitable cross-head screwdriver (not supplied) to secure the connection with the screw (ST4.8 x 16 with big screw head) (28) (Fig. 2, steps 1, 2).

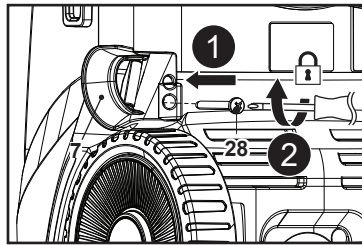


Fig. 2

Hose reel

The hose reel with pressure hose (13) has been pre-assembled on the machine at plant.

1. Align the mounting hole on the hose reel knob (10) with its rest on the machine, then use a suitable cross-head screwdriver (not supplied) to secure the connection with the screw (ST4.8 x 16) (27) (Fig. 3, steps 1, 2).
2. Guide the pressure hose (13) through the hose guide (7), then attach the retaining ring (13a) at the tip (Fig. 4, steps 1, 2).

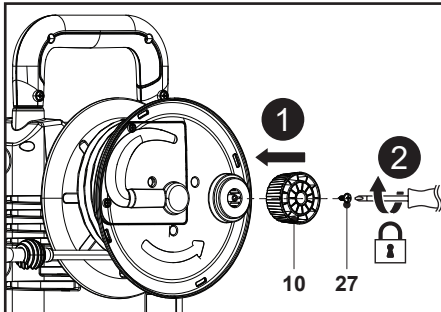


Fig. 3

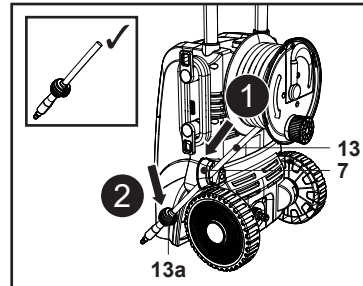


Fig. 4

Connecting / disconnecting the spray gun accessories

1. Align and insert the extension lance (16) into the socket of the spray gun (15) (Fig. 5, step 1).
2. Push and turn the extension lance (16) clockwise onto the spray gun (15) until hand tight to lock it in place (Fig. 5, step 2).
3. Align the two nozzle taps with the slots of the extension lance (16), then insert the turbo nozzle (18) or variable nozzle (19) until the end (Fig. 5, step 3).
4. Align the two taps of detergent bottle nozzle (20) with the spray gun (15), then push and turn the detergent bottle nozzle (20) clockwise onto the spray gun (15) until hand tight to lock it in place.
5. You can assemble the patio brush (21) on the extension lance (16), then assemble the combination directly onto the spray gun (15) or through the extension pole (17).

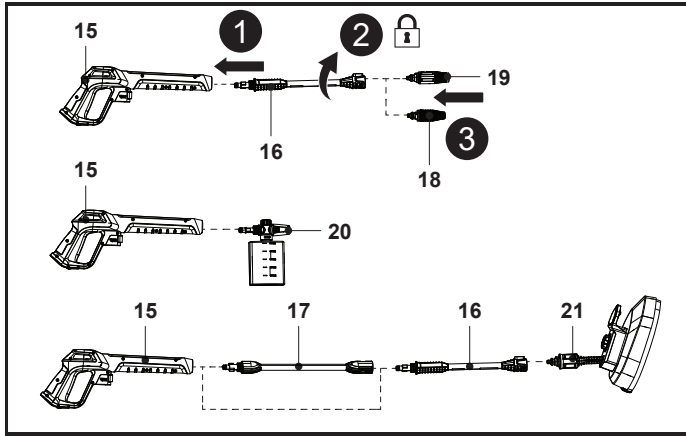


Fig. 5



NOTE: When two components are connected correctly, they cannot be separated by directly pulling them out. All spray gun accessories must be inserted into the spray gun (15) for proper use.

6. To disconnect the nozzle, press the lock button (16a) and keep it in place, then pull the assembled nozzle out (Fig. 6, steps 1, 2). Reinstall a required nozzle.
7. To disconnect the extension lance (16), push and turn it counterclockwise to remove it (Fig. 6, steps 3, 4, 5).
8. To disconnect the detergent bottle nozzle (20) or the extension pole (17) from spray gun (15), push and turn it counterclockwise to remove it. Reinstall a required spray gun accessory.

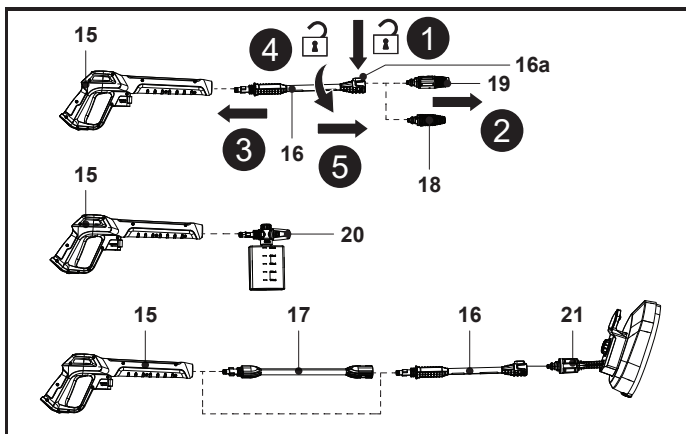


Fig. 6

Connecting / disconnecting the pressure hose

1. Gently tug on the pressure hose (13) to pull it out. We suggest fully unwinding the pressure hose (13) before operation.
2. Push the tip of the pressure hose (13) into the hose connector (15d) on the spray gun (15) until the end with a click (Fig. 7).

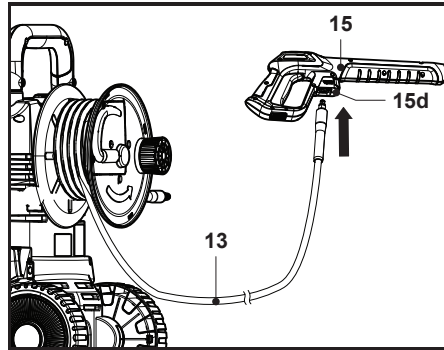


Fig. 7



WARNING! NEVER TIE KNOTS OR KINK THE PRESSURE HOSE (13) AS DAMAGE COULD RESULT.

3. To disconnect the pressure hose (13) from the spray gun (15), push the quick release lever (15c) towards the pressure hose (13) and hold it in place, then pull out the pressure hose (13) (Fig. 8, steps 1, 2).

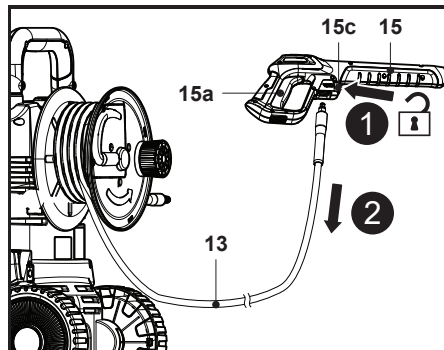


Fig. 8



WARNING! PRESSURED WATER. SHUT OFF WATER SUPPLY, TURN OFF THE MACHINE AND SQUEEZE THE SPRAY GUN TRIGGER (15A) TO RELEASE THE PRESSURE BEFORE DISCONNECTING THE PRESSURE HOSE (13).

Connecting the water inlet adaptor

Align and screw the water inlet adaptor (22) onto the water inlet connector (12) at the back of machine (Fig. 9, steps 1, 2).

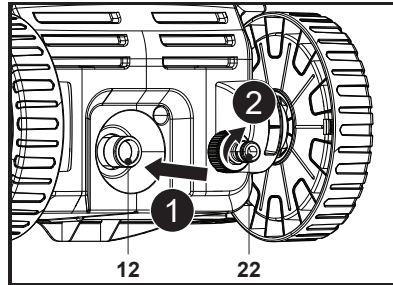


Fig. 9

i **NOTE:** The water inlet connector (12) is fitted with a mesh filter screen. This filter should be in place to prevent impurities in the water source from entering the machine and damaging the pump inside the machine.

Connecting the water supply

This pressure washer requires a pressurised water source with a maximum pressure of 1 MPa (145psi). It is recommended that a reinforced garden hose (with minimum diameter of 12 mm) is used for the water inlet connection. It cannot be used with a bucket and siphon.

1. Run water through your garden hose (not supplied) to remove any foreign matter.
2. Attach garden hose to the **water inlet adaptor (22)** on the water inlet connector (12) of the machine (Fig. 10, step 1). Always use a standard coupling for water inlet. The hose length cannot be greater than 8 m in length for proper operation.

i **NOTE:** If any filter is fitted at the water pipe connection to prevent any debris from entering the pump. Inspect and clean it before use as insufficient water supply could damage the pump.

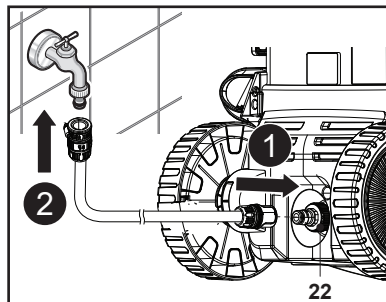


Fig. 10

3. Connect the other end of garden hose to a water supply (Fig. 10, step 2).



WARNING! THIS MACHINE IS NOT SUITABLE FOR CONNECTION TO THE POTABLE WATER MAINS.



OBSERVE THE REGULATIONS OF YOUR LOCAL UTILITY COMPANY WHEN CONNECTING THE PRODUCT TO A WATER SUPPLY LINE! IT IS PROHIBITED TO CONNECT THIS MACHINE TO THE DRINKING WATER FACILITY WITHOUT A BACKFLOW PREVENTER WHICH CORRESPONDS TO EN 12729 TYPE BA OR EN 61770!

4. Pull gently on the garden hose to ensure the connection is secure.

Connection to power supply



NOTE: The machine is equipped with a power cord with the length of 5 m. If an additional extension cord is required for operation, observe the technical requirements for this product when purchasing an extension cord.

The extension cord must, at the very minimum, be of type H05VV-F and have a cross-section of 2.5 mm². The total length of the cable cord should not exceed 25 metres. The socket for the power extension cord must be water splash-proof.

Completely unwind the extension cord.

Always check the plug, socket and extension cord and make sure they are in good condition before operation.

1. Ensure that the on/off rotary switch (I/O) (3) is in the off position.
2. Fully unwarped the power cord from two cord anchors (4), then connect the plug of power cord (5) into a suitable power supply socket.



WARNING! CHECK THE VOLTAGE! THE VOLTAGE MUST COMPLY WITH THE INFORMATION ON THE RATING LABEL!

ALWAYS USE THE MACHINE VIA A RESIDUAL CURRENT DEVICE (RCD) WITH A TRIPPING CURRENT OF MAX. 30 mA.

3. Your machine is now ready to be used.

EN Functions & Settings

Intended use

This electric pressure washer is designated with a rated power input of 2200 Watts.

The machine is intended for cleaning areas and objects outside the house, tools, vehicles and boats, if the appropriate accessories and cleaning agents are used.

Operate the machine only within the temperature range of 0 °C to 50 °C.

For safety reasons it is essential to read the entire instruction manual before first operation and to observe all the instructions therein.

This machine is intended for private domestic use only, not for any commercial trade use. It must not be used for any purposes other than those described.

Using different nozzles

Variable nozzle

The variable nozzle (19) will allow you to use any variety of spray patterns from a full fan spray to a direct stream spray (Jet).

Rotate the end on the nozzle clockwise for “Jet” mode, and counterclockwise for “Spray” mode (Fig. 11).

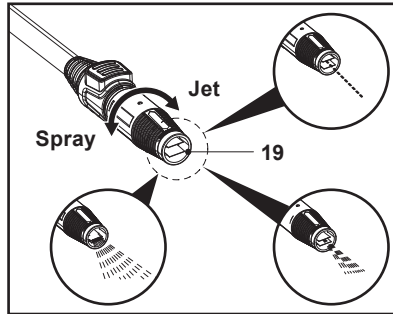


Fig. 11

- Jet mode

A water jet is discharged in a direct line to remove stubborn mud and other dirt from agricultural machinery, etc. Keep the spray lance 15-25 cm away from the cleaning surface at all times.

- Spray mode

The water is discharged in a wide fan for cleaning wood decks, walls, motorbikes and automobiles, etc. Always start using the fan spray and begin spraying from a minimum 90 cm away to avoid damaging the surface of the material you are cleaning. Always begin by spraying in a testing area free and clear of people and objects.



NOTE: Set the spray adjustment to “Jet” mode first of all, and then gradually move it to the “Spray” position while pulling the spray gun trigger.

Note that there is a chance of the water being sprayed horizontally over a wide area if this is rotated fully to the “Spray” position.

Note that the nozzle may be damaged if it is forced to move past the stop position when alternating between “Jet” and “Spray”.

Turbo nozzle

The turbo nozzle (18) rotates as it sprays high-pressure jets of water for efficient washing (Fig. 12).

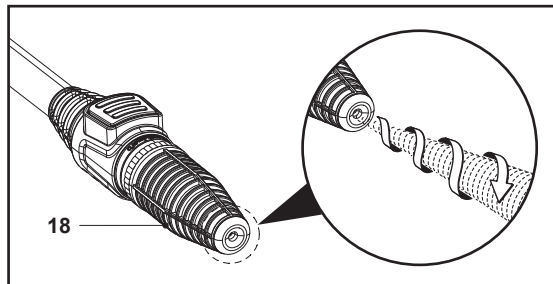


Fig. 12



CAUTION! DO NOT TRY TO ADJUST THE TURBO NOZZLE.

AVOID USING THIS ON OBJECTS THAT ARE EASILY BROKEN OR FOR WHICH COATINGS ARE EASILY PEELED.

Detergent bottle nozzle

The detergent bottle nozzle (20) can spray a mixture of water and detergent at low pressure.

Detergents can increase the cleaning effect of the water. Only use neutral detergents available on the open market.

Refilling and using detergent as shown in Fig. 13.

1. Hold the detergent bottle nozzle (20), then unlock and remove the bottle (20a) (Fig. 13, step 1).
2. Ensure that the water supply pipe is properly secured to the detergent nozzle (20).
3. Pour an undiluted neutral detergent into the bottle.
4. Place the detergent bottle nozzle (20) onto the bottle (20a) (Fig. 13, step 2).
5. Hold the detergent bottle nozzle (20), then lock the bottle (20a) firmly on it (Fig. 13, step 3).
6. Rotate the adjustable knob (20b) clockwise to perform high-dose soap washing, and counterclockwise to perform low-dose soap washing (Fig. 13, step 4).
7. Assemble the detergent bottle nozzle (20) to the spray gun (15).
8. The detergent bottle nozzle (20) is ready for use.

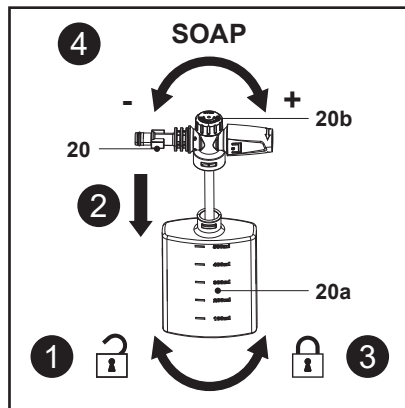


Fig. 13



WARNING! DO NOT USE ACIDIC OR ALKALI DETERGENTS. USE ONLY NEUTRAL DETERGENTS AVAILABLE ON THE OPEN MARKET.

USING DETERGENTS OTHER THAN NEUTRAL DETERGENTS OR CHEMICAL AGENTS MAY RESULT IN ACCIDENTS OR MALFUNCTIONS.

Patio brush

The patio brush (21) can thoroughly remove light and heavy dirt from surfaces and is very gentle on the material.

Rotate the flow adjustable knob (21a) clockwise for higher cleaning speed, and counterclockwise for lower cleaning speed (Fig. 14).

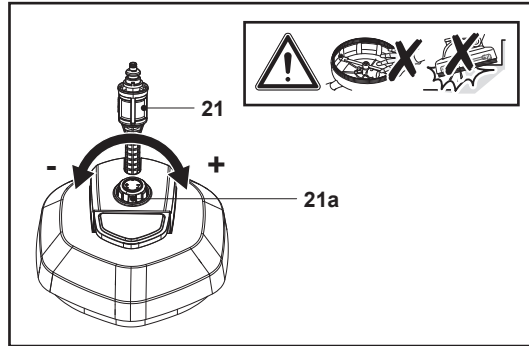


Fig. 14



WARNING! THE PATIO BRUSH (21) IS ONLY USED FOR SURFACE CLEANING, AND IT MAY BE DAMAGED IF USED FOR EDGE CLEANING. DON'T TOUCH ROTATING PART WHILE THE MACHINE IS RUNNING.

Adjusting the transport handle

1. Press and hold the handle lock button (2), then pull the transport handle (1) all the way to stop (Fig. 15).
2. Press and hold the handle lock button (2), then press the transport handle (1) to retract it (Fig. 16).

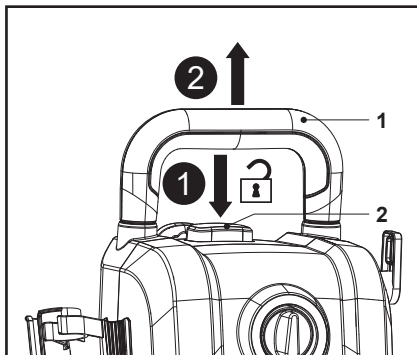


Fig. 15

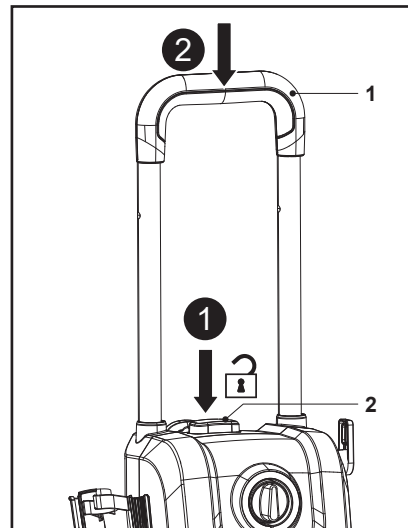


Fig. 16

Starting



WARNING! TO PREVENT DAMAGE TO THE MACHINE, DO NOT ALLOW IT TO OPERATE DRY.

ENSURE THAT THE PRESSURE WASHER IS PLACED ON A LEVEL AND HARD GROUND.

ALWAYS HAVE THE PRESSURE WASHER IN AN UPRIGHT POSITION DURING USE.

1. Open the water tap to let the water flow into the pump (Fig. 17, step 1).
2. Connect the power cord (5) to power supply ensuring that the on/off rotary switch (3) is in the off position (Fig. 17, step 2).
3. Pull the trigger lock (15b) at the bottom of spray gun (15) back to unlock the spray gun trigger (15a) (Fig. 17, step 3).
4. Fully press the trigger (15a) until there is a constant flow of water to clear the air from the machine and water supply hose (Fig. 17, step 4). Release the spray gun trigger (15a) afterwards.
5. Switch on the machine by rotating the on/off rotary switch (3) to "I" position (Fig. 17, step 5).
6. Point the power gun downwards. Aim the lance towards the object to be cleaned. Make sure the working distance is proper.
7. Fully press the spray gun trigger (15a) to start the water jet.

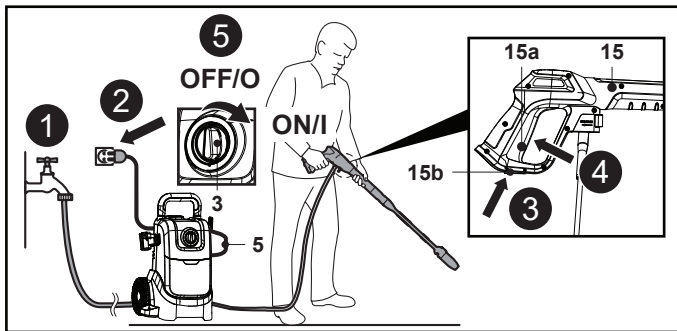


Fig. 17



WARNING! LONGTIME OF USING THE APPLIANCE CAN CAUSE CIRCULATION PROBLEMS IN THE HANDS ON ACCOUNT OF VIBRATIONS.

IT IS NOT POSSIBLE TO SPECIFY A GENERALLY VALID OPERATION TIME, SINCE THIS DEPENDS ON SEVERAL FACTORS:

- PRONENESS TO BLOOD CIRCULATION DEFICIENCIES (COLD, NUMB FINGERS).
- LOW AMBIENT TEMPERATURE. WEAR WARM GLOVES TO PROTECT HANDS.
- A FIRM GRIP IMPEDES BLOOD CIRCULATION.
- CONTINUOUS OPERATION IS WORSE THAN AN OPERATION INTERRUPTED BY PAUSES. IN CASE OF REGULAR, LONGTIME OPERATION OF THE DEVICE AND IN CASE OF REPEATED OCCURRENCE OF THE SYMPTOMS (E.G. COLD, NUMB, FINGERS), PLEASE CONSULT A PHYSICIAN.

Stopping



WARNING! WHEN TURN OFF THE MACHINE, HIGH PRESSURE STILL EXISTS INSIDE THE HOSE AND MACHINE. POINT THE GUN IN A SAFE DIRECTION AND DISCHARGE THE EXCESS PRESSURE.

NEVER DIRECT THE HIGH PRESSURE WATER STREAM AT PEOPLE OR ANIMALS.

1. Close the water tap.
2. Squeeze the spray gun trigger (15a) until water drips from the nozzle for discharge the residual pressure inside the pressure hose (13). The machine is now depressurized.
3. Release the spray gun trigger (15a).
4. Push the trigger lock (15b) at the bottom of spray gun (15) forward to lock the spray gun trigger (15a). Now the spray gun cannot be actuated accidentally.
5. Switch off the machine by rotating the on/off rotary switch (3) to "O" position.



NOTE: Leaving the pressure washer switched on may result in dry operations, leading to malfunctions.

Auto stop function

The machine is designed to switch off the motor when the spray gun trigger (15a) on the spray gun (15) is released.

Safety mechanisms

The pressure washer is equipped with the following safety mechanisms to ensure safe usage.

On/off rotary switch

This prevents the pressure washer from being unintentionally operated.

Spray gun trigger equipped with a trigger lock

This prevents the spray gun trigger (15a) from being pulled unintentionally, thereby avoiding starting the pressure washer.

Pressure switch

This prevents the pressure inside the pressure washer from exceeding permissible levels. Releasing the spray gun trigger (15a) causes the valve operated by water pressure to halt pump operations, which allows the pressure to be released through the water feed. The pump is started again when spray gun trigger (15a) is pressed.

Thermal protector

This protects the motor by halting operations when abnormal heat is detected in the motor. It will start operating again when the motor cools down.

General operation

1. Check the machine, its power cord and plug as well as accessories for damage before each use. Do not use the machine if it is damaged or shows wear. Take care of any problem you find or have the machine checked by qualified specialist.
2. Double check that the accessories and attachments are properly secured.
3. Always transport the machine by its transport handle (1) and rear wheels (8).
4. Always hold the spray gun firmly with both hands by its handle and gripping surface. Keep the handle and gripping surface dry and free from lubricant to ensure safe support.
5. Ensure that the air vents (11) are always unobstructed and clear. Clean them if necessary with a soft brush. Blocked air vents may lead to overheating and damage the machine.
6. Switch the machine off immediately and disconnect it from the power supply if you are disturbed while working by other people entering the working area. Always let the machine come to complete stop before averting.
7. Do not overwork yourself. Take regular breaks to ensure you can concentrate on the work and have full control over the machine.

Operation



WARNING! DO NOT OPERATE THE MACHINE WITHOUT WATER SUPPLY. THIS LEADS TO DRY RUNNING AND SUBSEQUENTLY DAMAGES THE MACHINE.

DO NOT OVERREACH WITH THE PRESSURE HOSE OR MOVE THE PRESSURE WASHER BY PULLING THE HOSE, THIS COULD CAUSE THE MACHINE TO BECOME UNSTABLE AND FALL OVER.

DO NOT KINK OR DRIVE A MOTOR VEHICLE OVER THE PRESSURE HOSE.

DO NOT EXPOSE THE PRESSURE HOSE TO SHARP EDGES OR CORNERS.

KICKBACK FORCES RESULT FROM SQUEEZING THE SPRAY GUN TRIGGER! THEREFORE, ALWAYS HOLD THE SPRAY GUN WITH BOTH HANDS!

PAY ATTENTION TO SAFE POSTURE! IMPROPER HANDLING CAN LEAD TO INJURIES!



WARNING! DO NOT OPERATE THE MACHINE WHEN THE AMBIENT TEMPERATURE IS BELOW 0 °C. WATER WILL FREEZE INSIDE THE MACHINE AND DAMAGE IT.

1. Assembly a suitable nozzle on the spray gun depending on the application.
2. Set a required spray pattern if using the variable nozzle (19).
3. Set the distance between the nozzle and the surface to be cleaned so that the surface to be cleaned is not damaged.
4. Hold the spray gun (15) with both hands.
5. Switch on the machine by rotating the on/off rotary switch (3) to "I" position.
6. Point the power gun downwards. Aim the lance towards the object to be cleaned. Make sure the working distance is proper.

7. Fully press the spray gun trigger (15a) to start the water jet as shown in Fig. 18.
8. Move the lance forward evenly and slowly along the surface to be cleaned in a controlled manner.



Fig. 18



WARNING! BEWARE OF KICKBACK WHEN SQUEEZING THE SPRAY GUN TRIGGER (15A)!



NOTE: Always keep a reasonable distance between the nozzle and the object to be cleaned in order to avoid damage. Ask your specialist dealer for advice if required.

9. Release the spray gun trigger (15a) to stop water jet.

Tips

Recommended cleaning procedure

Dissolve dirt by applying the detergent mixed with water to the surface while still dry. Allow the detergent to rest on the surface for a few minutes, but do not let the detergent dry.

When dealing with vertical surfaces work from the bottom upwards. Rinse from the bottom upward, use the high pressure jet at a minimum distance of 30 cm at 45° angle and then from the top downward.

In some cases, scrubbing with brushes is needed to remove dirt. High pressure is not always the best solution for good washing results, since it may damage some surfaces. The highest nozzle jet setting should not be used on delicate or painted parts, or on pressurised components (e. g. tyres, inflation valves, etc.).

Effective washing depends on both the pressure and volume of the water used, to the same degree.

Begin by spraying in a testing area free and clear of people and objects.

Cleaning with detergent

When cleaning with the pressure washer, some cleaning tasks can be completed with water alone, but for most tasks it is advantageous to use a detergent. A detergent ensures a quick soaking of the dirt allowing the high pressure water to penetrate and remove the dirt more effectively.

The low pressure position provides a gentle application of detergent. This position is also recommended to rinse a surface after wax application or for other applications that require the low pressure of a garden hose. Low pressure is the equivalent of a garden hose set at the lowest output to properly apply detergent.

When cleaning a vertical surface, spray off dirt / detergent from the bottom and work in an upwards direction. Do not allow to dry

Rinse from the top and work downwards to clean the surface with the fan nozzle.

Cooling system

The air vents, located in and around the pressure washer, must be kept clean and free of any obstructions to ensure proper air cooling of the motor during operation. Never spray water directly onto the pressure washer for cleaning



WARNING! PREVENT WATER FROM PENETRATING THE AIR VENTS OF THE MACHINE TO MINIMISE THE RISK OF DAMAGE TO THE MACHINE AND TO REDUCE THE RISK OF ELECTRIC SHOCK TO THE OPERATOR.

Wood and Vinyl Decks.

Rinse deck and surrounding area with fresh water. If using detergent, connect the detergent bottle nozzle (20) to spray gun and apply to the area being cleaned at low pressure. For optimal results, reduce your work area to smaller sections and clean each section one at a time. Allow the detergent to rest on the surface for a few minutes and then rinse at high pressure.

DO NOT LET THE CLEANSER DRY Always clean from left to right and top to bottom for best results. Rinse at high pressure using the fan spray, keeping the tip of the spray nozzle at least 15-25 cm from the cleaning surface.

Maintain a further distance from the cleaning area when using a direct spray.



CAUTION! FOR SOFTER WOODS, INCREASE THE DISTANCE FROM THE CLEANING AREA.

Cement Patios, Stone, and Brick

Rinse cleaning and surrounding area with fresh water. If using detergent, connect the detergent bottle nozzle (20) to spray gun and apply to the area being cleaned at low pressure. Rinse at high pressure using the fan spray in a sweeping motion keeping the tip of the spray nozzle at least 7-15 cm from the cleaning surface.

Maintain a further distance from the cleaning area when using a direct spray.

Cars, boats, and motorcycles

Rinse cleaning and surrounding area with fresh water. If using detergent, connect the detergent bottle nozzle (20) to spray gun and apply to the area being cleaned at low pressure. To achieve the best results, clean one side at a time. Allow the detergent to rest on the surface for a few minutes, but do not let the detergent dry. Rinse at high pressure using the fan spray in a sweeping motion keeping the tip of the spray nozzle at least 20 cm from the cleaning surface.

Wipe surface dry for a polished finish.



WARNING! NEVER USE A JET SPRAY TO CLEAN MOTOR VEHICLES OR BOAT PAINT WORK. DO NOT CLEAN THE MOTOR / ENGINE WITH THE PRESSURE WASHER!

Barbecue grills, power equipment, and garden tools

Rinse cleaning and surrounding area with fresh water. If using detergent, connect the detergent bottle nozzle (20) to spray gun and apply to the area being cleaned at low pressure. Allow the detergent to rest on the surface for a few minutes, but do not let the detergent dry. Rinse at high pressure using the fan spray keeping the tip of the spray nozzle at least 8 cm from the cleaning surface. Maintain a further distance from the cleaning area when using a direct spray.

After use

1. Switch the machine off, disconnect it from the power supply and let it cool down.
2. Release the pressure inside the machine.
3. Check, clean and store the machine as described below.

4. Disconnect the garden hose from the machine and water supply mains.
5. Remove the pressure hose from the spray gun (15) and machine.
6. Drain all residual water from the pressure hose (13).
7. Tilt the pressure washer to drain out the residual water.



WARNING! WATER LEFT IN THE WASHER MAY FREEZE IN THE WINTER, WHICH COULD RESULT IN DAMAGE TO THE PUMP.

EN Care & maintenance

The golden rules for care



WARNING! ALWAYS SWITCH THE MACHINE OFF, DISCONNECT IT FROM THE POWER SUPPLY AND LET THE MACHINE COOL DOWN BEFORE PERFORMING INSPECTION, MAINTENANCE AND CLEANING WORK!



ONLY PERFORM CARE AND MAINTENANCE WORK ACCORDING TO THESE INSTRUCTIONS! ALL FURTHER WORKS MUST BE PERFORMED BY A QUALIFIED SPECIALIST!

1. Keep the machine clean. Remove debris from it after each use and before storage.
2. Regular and proper cleaning will help ensure safe use and prolong the life of the machine.
3. Inspect the machine before each use for worn and damaged parts. Do not operate it if you find broken and worn parts.



WARNING! ONLY PERFORM REPAIRS AND MAINTENANCE WORK ACCORDING TO THESE INSTRUCTIONS! ALL FURTHER WORKS MUST BE PERFORMED BY A QUALIFIED SPECIALIST!

General cleaning

1. Clean the machine with a damp cloth and pH-neutral soap. Use a brush for areas that are hard to reach.
2. In particular clean the air vents after every use with a cloth and brush.



NOTE: Do not use chemical, alkaline, abrasive or other aggressive detergents or disinfectants to clean this product as they might be harmful to its surfaces.

3. Check for any damage and wear. Repair damages in accordance with this instruction manual or take it to an authorised service centre before using the machine again.
4. Exchange the two O ring (Ø10) (24) on the pressure hose (13), and the O ring (Ø12) (25) on the water inlet adaptor (22) if necessary.

Cleaning the nozzle

1. Disconnect the nozzle (18 / 19 / 21) from the extension lance (16); Disconnect the detergent bottle nozzle (20), extension lance (16), extension pole (17) from the spray gun (15) (Fig. 19).
2. Remove any dirt deposits from the nozzle hole using a needle (23) (Fig. 20).

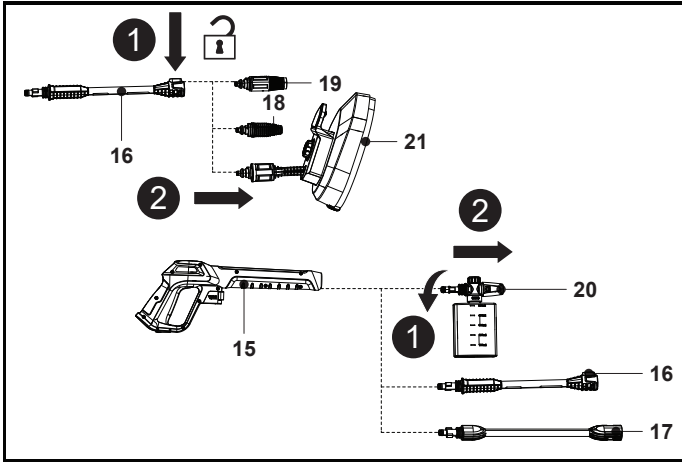


Fig. 19

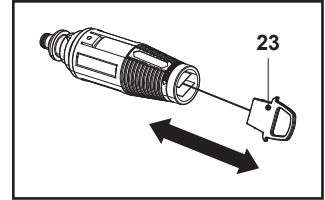


Fig. 20

Cleaning the filter screen

1. Remove the water inlet adaptor (22) from the water inlet connector (12) (Fig. 21).
2. Remove the filter screen (12a) from water inlet connector (12) and rinse under tap water to remove any foreign objects (Fig. 22). Reinstall the filter screen (12a) afterwards.
3. Inspect the filter screen (12a) before each use and clean it if necessary.

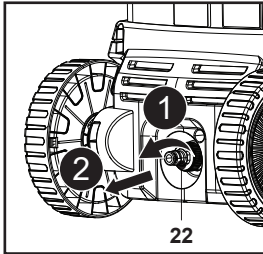


Fig. 21

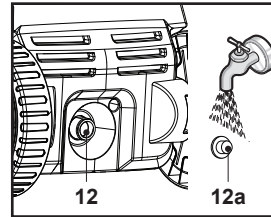


Fig. 22

Pressure hose

After use the high pressure washer, the pressure hose (13) should be circled back. The circle direction should be the same as the original direction.



NOTE: Any reverse circle will destroy the pressure hose.

Decalcification

From time to time – according to the nature of your tap water – calcium deposits form in the product and accessories. The strength of the deposits (and thus the frequency of decalcification) depends upon the degree of hardness of the water and how often the product is used. Check with your supplier in order to find the hardness of the water in your area.



NOTE: Use a mixture of water and citric acid or vinegar for decalcification. These substances are readily biodegradable and environmentally friendly!

1. Make a mixture of one part of proper vinegar and two parts hot water (≤ 50 °C) in a suitable container, e. g. in a bowl.
2. Lay the detachable accessories in the mixture.
3. Leave the accessories in the mixture for approximately 12 hours.
4. Rinse the accessories with clear water.

Lubrication

The high pressure washer is designed with a permanent lubrication system. Conventional oil check and oil changes are not necessary.



NOTE: A small amount of oil leakage is normal.

Maintenance

Before and after each use, check the product and accessories for wear and damage. If required, exchange them for new ones as described in this instruction manual. Observe the technical requirements.

Power cord

If the supply cord of this power tool is damaged, it must be replaced by a specially prepared supply cord available through the service organization.

UK plug (for UK only)

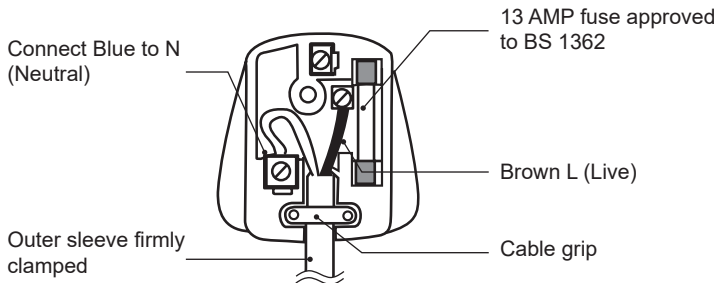
If you need to replace the fitted plug, then follow the instructions below.

IMPORTANT: The wires in the mains lead are coloured in accordance as follows:

Blue - Neutral

Brown - Live

As the colours of the wire in the mains lead of this product may not correspond with the coloured marking identifying the terminals in your plug, proceed as follows. The wire, which is coloured blue, must be connected to the terminal, which is marked with N or coloured black. The wire, which is coloured brown, must be connected to the terminal, which is marked L or coloured red.



WARNING! NEVER CONNECT LIVE OR NEUTRAL WIRES TO THE EARTH TERMINAL OF THE PLUG, WHICH IS MARKED WITH E.

Only fit an approved 13 Amp BS 1363 or BS 1363/A plug and correctly rated 13 Amp BS 1362 fuse. If in doubt, consult a qualified electrician.



NOTE: If a moulded plug is fitted and has to be removed take great care in disposing of the plug and severed cable, it must be destroyed to prevent engaging into a socket.

Spare parts / Replacement parts

The following parts of this product may be replaced by the consumer. Spare parts are available at an authorized dealer or through our customer service.

Description	Model no. or Specification
Spray gun (15)	YLG22 gun
Extension lance (16)	YLG22 extension lance
Extension pole (17)	Extension pole for patio brush
Turbo nozzle (18)	YLG21 turbo nozzle
Variable nozzle (19)	YLG21 variable nozzle
Detergent bottle nozzle (20)	YLG204 foam jet nozzle
Patio brush (21)	YLS12 patio brush
Water inlet adaptor (22)	Short black water inlet

Repair

This machine does not contain any parts that can be repaired by the consumer. Contact an authorised service centre or a similarly qualified person to have it checked and repaired.

Storage

1. Switch the machine off and disconnect it from the power supply.
2. Clean the machine as described above.
3. Store the machine and its accessories in a dark, dry, frost-free, well-ventilated place.
4. Always store the machine in a place that is inaccessible to children. The ideal storage temperature is between 10 °C and 30 °C.
5. We recommend using the original package for storage or covering the machine with a suitable cloth or enclosure to protect it against dust.

Transportation

1. Switch the machine off, disconnect the plug from the power supply before transporting it anywhere.
2. Wrap the power cord (5) around the two cord anchors (4) and secure it in place with a supplied cord clip (5a) (Fig. 23).
3. Reel the pressure hose (13) and store the spray gun (15), extension lance (16), detergent bottle nozzle (20) and nozzle (18 / 19) (Fig. 24).
4. Always transport the machine by its transport handle (1) and rear wheels (8).
5. Protect the machine from any heavy impact or strong vibrations which may occur during transportation in vehicles.
6. Secure the machine to prevent it from slipping or falling over, damage and injury.

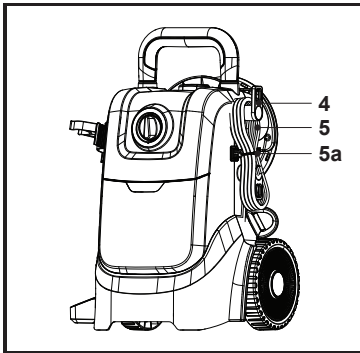


Fig. 23

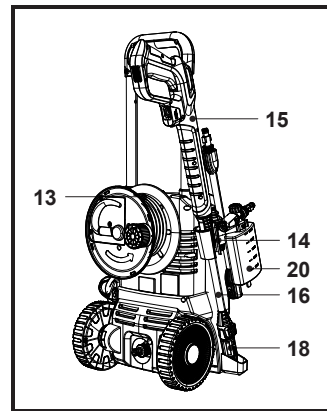


Fig. 24

Troubleshooting

Suspected malfunctions are often due to causes that the users can fix themselves. Therefore check the product using this section. In most cases the problem can be solved quickly.



WARNING! ONLY PERFORM THE STEPS DESCRIBED WITHIN THESE INSTRUCTIONS! ALL FURTHER INSPECTION, MAINTENANCE AND REPAIR WORK MUST BE PERFORMED BY AN AUTHORISED SERVICE CENTRE OR A SIMILARLY QUALIFIED SPECIALIST IF YOU CANNOT SOLVE THE PROBLEM YOURSELF!

Problem	Possible cause	Solution
1. Product does not start	1.1. Not connected to power supply 1.2. Power cord or plug is defective 1.3. Other electrical defect to the product	1.1. Connect to power supply 1.2. Check by a specialist electrician 1.3. Check by a specialist electrician
2. Pump does not reach full power	2.1. Extension cord not suitable for operation with this product 2.2. Power source (e. g. generator) has too low voltage 2.3. Air vents are blocked 2.4. Nozzle is worn 2.5. Filter is clogged 2.6. Water supply pressure is low 2.7. Air is being sucked into system 2.8. Air is in pump 2.9. Variable nozzle is not positioned correctly	2.1. Use a proper extension cord 2.2. Connect to another power source 2.3. Clean the air vents 2.4. Replace nozzle 2.5. Clean the filter screen in water inlet adaptor 2.6. Turn on water supply tap fully 2.7. Check tightness of hose fittings 2.8. Switch off the machine and keep depressing and releasing the gun trigger until the water comes out in a steady flow. Switch the machine on again. 2.9. Turn variable nozzle from spray mode to jet mode
3. Pressure drops during use	3.1. Water is taken from an external water tank 3.2. The inlet water temperature is too high 3.3. Nozzle is clogged 3.4. Intake filter is dirty	3.1. Connect machine to the mains water supply 3.2. Reduce water temperature 3.3. Clean nozzle 3.4. Clean the filter screen in water inlet adaptor
4. Strong pressure fluctuations	4.1. Water supply pressure is too low 4.2. Intake filter is dirty 4.3. Air is being sucked into system	4.1. Turn on water supply tap fully 4.2. Clean the filter screen in water inlet adaptor 4.3. Check tightness of hose fittings
5. Water leakage from machine	5.1. Seal is worn	5.1. Have the seal replaced
6. Excessive vibration or noise	6.1. Water supply pressure low 6.2. Motor problems 6.3. Screws and nuts loose	6.1. Turn on water supply tap fully 6.2. Check by a specialist electrician 6.3. Tighten screws and nuts

Recycling and disposal



This symbol is known as the 'Crossed-out Wheelie Bin Symbol'. When this symbol is marked on a product or battery, it means that it should not be disposed of with your general household waste. Some chemicals contained within electrical/electronic products or batteries can be harmful to health and the environment. Only dispose of electrical/ electronic/battery items in separate collection schemes, which cater for the recovery and recycling of materials contained within. Your co-operation is vital to ensure the success of these schemes and for the protection of the environment.

The product comes in a package that protects it against damage during shipping. Keep the package until you are sure that all parts have been delivered and the product is working properly. Recycle the package afterwards.

Guarantee

We take special care to select high quality materials and use manufacturing techniques that allow us to create products incorporating design and durability. This product has a manufacturer's guarantee of 2 years against manufacturing defects, from the date of purchase (if bought in store) or date of delivery (if bought online), at no additional cost for normal (non-professional or commercial) household use.

To make a claim under this guarantee, you must present your proof of purchase (such as a sales receipt, purchase invoice or other evidence admissible under applicable law), please keep your proof of purchase in a safe place. For this guarantee to apply, the product you purchased must be new, it will not apply to second hand or display products. Unless stated otherwise by applicable law, any replacement product issued under this guarantee will only be guaranteed until expiry of the original period guarantee period.

This guarantee covers product failures and malfunctions provided the product was used for the purpose for which it is intended and subject to installation, cleaning, care and maintenance in accordance with the information contained in these terms and conditions, in the user manual and standard practice, provided that standard practice does not conflict with the user manual.

This guarantee does not cover defects and damage caused by normal wear and tear or damage that could be the result of improper use, faulty installation or assembly, neglect, accident, misuse, or modification of the product. Unless stated otherwise by applicable law, this guarantee will not cover, in any case, ancillary costs (shipping, movement, costs of uninstalling and reinstalling, labour etc), or direct and indirect damage.

This guarantee does not cover defects and damage caused by or resulting from:

- Normal wear and tear
- Overload, misuse or neglect
- Repairs attempted by anyone other than an authorised agent
- Cosmetic damage
- Damage caused by foreign objects, substances or accidents
- Accidental damage or modification
- Failure to follow manufacturer's guidelines
- Loss of use of the goods

If the product is defective, we will, within a reasonable time, repair, replace, refund, service or provide spare parts.

Rights under this guarantee are enforceable in the country in which you purchased this product. Guarantee related queries should be addressed to the store you purchased this product from.

The guarantee is in addition to and does not affect your statutory rights.

**IMPORTANT - RETAIN THIS INFORMATION
FOR FUTURE REFERENCE:
READ CAREFULLY**

Customer care and technical helpline


A better way to repair your tools

Kingfisher takes special care in creating high-quality garden power tools that are designed to last. But if a fault develops with your garden power tool and you need to claim under the guarantee, the Customer Care and Technical Helpline can support with technical assistance or if required, arrange a free courier collection from your home, assess your garden power tool for fault, repair it, and return it.

Deciding to repair your product rather than buying a replacement and adding to the mountain of waste is a more sustainable choice and you will be doing your bit for the environment.

How does it work?



 *** NOTE:** Before collection, all fuel must be removed from petrol powered machines.

Get in touch

If you need help or more information, please contact the Customer Care and Technical Helpline:

UK 0330 678 3077

ROI 1 800 365 800

Opening hours are Monday – Friday, 8 am - 5 pm

Availability of spare parts

Contact the customer service helpline for assistance or visit www.kingfisherspares.com

For assistance contact the customer services helpline:

UK 0330 678 3077 uk@kingfisherservice.com

ROI 1 800 365 800 eire@kingfisherservice.com

Further information about this product can also be found at:

www.kingfisher.com/products





(EN) EU DECLARATION OF CONFORMITY
(FR) DÉCLARATION UE DE CONFORMITÉ
(PL) DEKLARACJA ZGODNOŚCI UE
(RO) DECLARAȚIA DE CONFORMITATE UE
(ES) DECLARACIÓN UE DE CONFORMIDAD
(PT) DECLARAÇÃO DE CONFORMIDADE UE

Product/Produit/Produkt/Produsul/Producto/Produto

- Electric high pressure washer 2200 W / Nettoyeur haute pression électrique 2200 W / Myjka ciśnieniowa elektryczna 2200 W / Aparat electric de spălat cu presiune de 2 200 W / Hidrolimpiadora eléctrica de 2200 W / Lavadora eléctrica de alta pressão 2200 W
- MCB1286PRW / TTB1288PRW
- SN: 000001-999999

Name and address of the manufacturer or his authorised representative:

Nom et adresse du fabricant ou de son mandataire:

Nazwa i adres producenta lub jego upoważnionego przedstawiciela:

Denumirea și adresa producătorului sau a reprezentantului său autorizat:

Nombre y dirección del fabricante o de su representante autorizado:

Nome e endereço do fabricante ou do respetivo mandatário:

Kingfisher International Products B.V.,
Rapenburgerstraat 175E,
1011 VM Amsterdam,
The Netherlands

This declaration of conformity is issued under the sole responsibility of the manufacturer.

La présente déclaration de conformité est établie sous la seule responsabilité du fabricant.

Niniejsza deklaracja zgodności wydana zostaje na wyłączną odpowiedzialność producenta.

Prezenta declarație de conformitate este emisă pe răspunderea exclusivă a producătorului.

La presente declaración de conformidad se expide bajo la exclusiva responsabilidad del fabricante.

A presente declaração de conformidade é emitida sob a exclusiva responsabilidade do fabricante.

Object of the declaration/Objet de la declaration/Przedmiot deklaracji/Obiectul declarației/Objeto de la declaración/Objeto da declaração

Product/Produit/Produkt/Produsul/Producto/Produto	Model/Modèle/Model/Modelul/Modelo/Modelo	EAN
Electric high pressure washer 2200 W / Nettoyeur haute pression électrique 2200 W / Myjka ciśnieniowa elektryczna 2200 W / Aparat electric de spălat cu presiune de 2 200 W / Hidrolimpiadora eléctrica de 2200 W / Lavadora eléctrica de alta pressão 2200 W	MCB1286PRW / TTB1288PRW	5063022719553 5063022719492 5063022719591 5063022719614

The object of the declaration described above is in conformity with the relevant Union harmonisation legislation:

L'objet de la déclaration décrit ci-dessus est conforme à la législation d'harmonisation de l'Union applicable:

Wymieniony powyżej przedmiot niniejszej deklaracji jest zgodny z odpowiednimi wymaganiami unijnego prawodawstwa harmonizacyjnego:

Obiectul declarației descris mai sus este în conformitate cu legislația relevantă de armonizare a Uniunii:

El objeto de la declaración descrita anteriormente es conforme con la legislación de armonización pertinente de la Unión:

O objeto da declaração acima descrito está em conformidade com a legislação de harmonização da União aplicável:

2006/42/EC as amended	Machinery Directive
2014/30/EU as amended	Directive Electromagnetic compatibility
2011/65/EU, (EU) 2015/863 as amended	Directive Restriction of the use of certain hazardous substances in electrical and electronic equipment
2012/19/EU as amended	Waste Electrical and Electronic Equipment (WEEE)
Regulation (EC) No 1907/2006, concerning the Registration, Evaluation, Authorization and Restriction of Chemicals (REACH)	

References to the relevant harmonised standards used or references to the other technical specifications in relation to which conformity is declared:

Références des normes harmonisées pertinentes appliquées, y compris la date de celles-ci, ou des autres spécifications techniques, y compris la date de celles-ci, par rapport auxquelles la conformité est déclarée:

Odwołania do odnośnych norm zharmonizowanych, które zastosowano, wraz z datą normy, lub do innych specyfikacji technicznych, wraz z datą specyfikacji, w odniesieniu do których deklarowana jest zgodność:

Trimiteri la standardele armonizate relevante folosite, inclusiv data standardului, sau trimiteri la celelalte specificații tehnice, inclusiv data specificațiilor, în legătură cu care se declară conformitatea:

Referencias a las normas armonizadas pertinentes utilizadas, incluidas las fechas de las normas, o referencias a las otras especificaciones técnicas, incluidas las fechas de las especificaciones, respecto a las cuales se declara la conformidad:

Referências às normas harmonizadas aplicáveis utilizadas, incluindo a data da norma, ou às outras especificações técnicas, incluindo a data da especificação, em relação às quais é declarada a conformidade:

EN 60335-1:2012+A11:2014+A13:2017+A1:2019+A2:2019+A14:2019+A15:2021+A16:2023
 EN 60335-2-79:2012
 EN 62233:2008
 EN IEC 55014-1:2021
 EN IEC 55014-2:2021
 EN IEC 61000-3-2:2019+A1:2021+A2:2024
 EN IEC 61000-3-11:2019

Authorised signatory and technical file holder/signataire et responsable de la documentation technique autorisé/podmiot uprawniony do wystawienia i adres przechowywania dokumentacji technicznej/semnatar autorizat și deținător al dosarului tehnic/firmante autorizado y titular del expediente tecnico/signatário autorizado e detentor da ficha técnica

Kingfisher International Products B.V.,
 Rapenburgerstraat 175E,
 1011 VM Amsterdam,
 The Netherlands



David Awe
 Group Quality & Sustainability Director

: [04/30/2022]

Manufacturer:

UK Manufacturer:

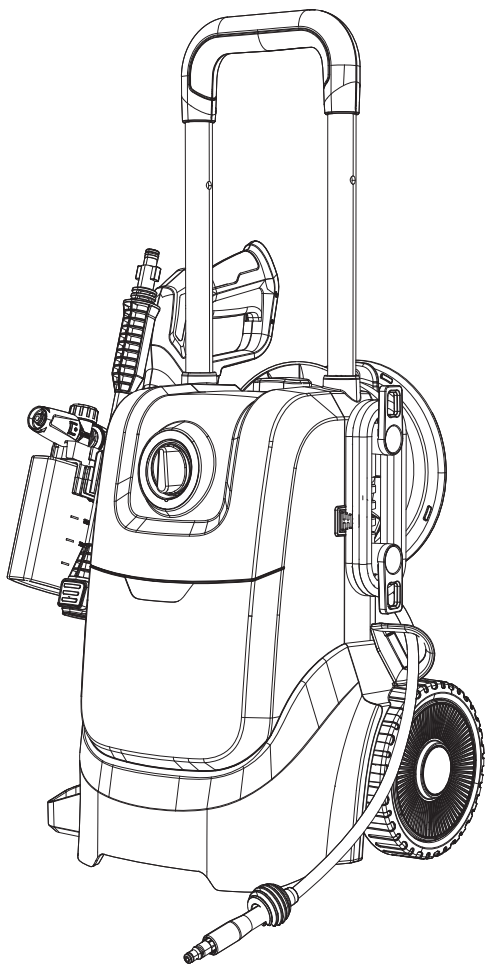
Kingfisher International Products Limited,
1 Paddington Square, London, W2 1GG,
United Kingdom

EU Manufacturer:

Kingfisher International Products B.V.,
Rapenburgerstraat 175E,
1011 VM Amsterdam,
The Netherlands

EN www.diy.com
www.screwfix.com
www.screwfix.ie

**To view instruction manuals online,
visit www.kingfisher.com/products**



FR NOTICE ORIGINALE

IMPORTANT - Ces consignes concernent votre sécurité. Merci de les lire attentivement avant de manipuler le produit et de les conserver pour référence.

ATTENTION : Lire la notice avant d'utiliser la machine !



V11025_5063022719553_MAND4_2425_RP0539

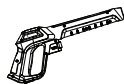
**FR Nettoyeur haute
pression électrique
2200 W**

MCB1286PRW
5063022719553
5063022719492
TTB1288PRW
5063022719591
5063022719614

FR Pièces



01. x1



02. x1



03. x1



04. x1



05. x1



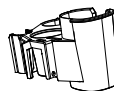
06. x1



07. x1



08. x1



09. x1



10. x1



11. x1



12. x1



13. x1



14. x3
(Ø5,1 x 1,8, x2)
(Ø11,5 x 2,5, x1)



15. x1
(ST3,5 x 13)



16. x2
(ST4,8 x 16)
(ST4,8 x 16 avec
grosse tête de vis)



17. x1

FR Vous aurez besoin de



x1

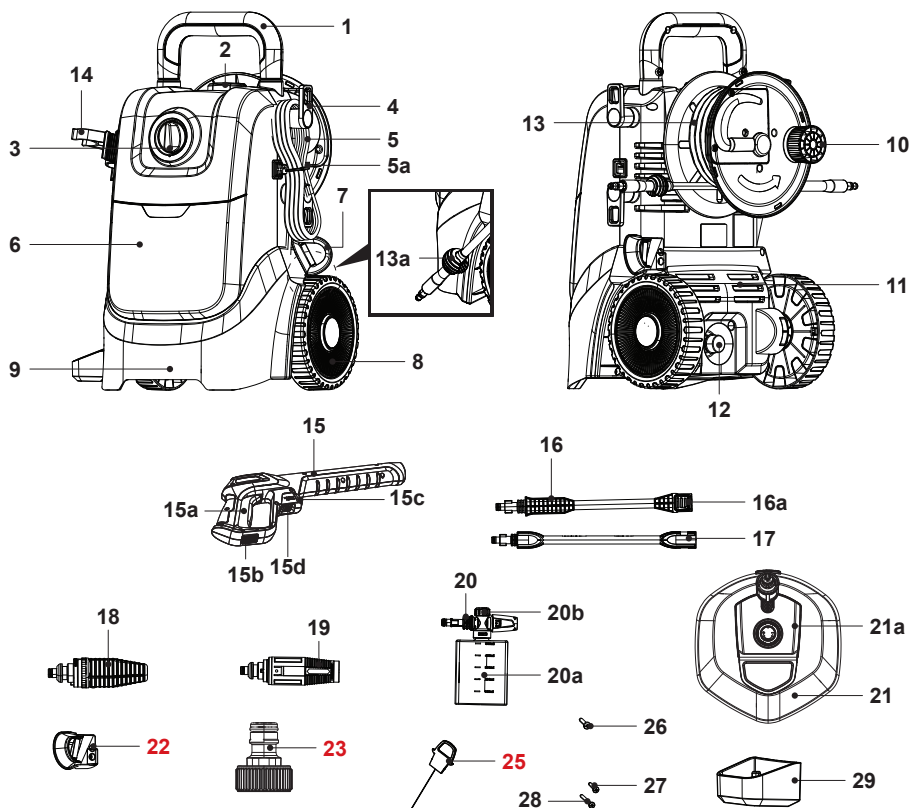
(éléments non fournis)

- Équipement de protection individuelle adapté
- Rallonge adaptée à un usage en extérieur
- Tuyau d'arrosage avec raccord et filtre
- Détergent approprié
- Tournevis cruciforme adapté

FR Table des matières

FR	
Description du produit	3
Sécurité	4
Préparation	14
Montage	15
Fonctions et réglages	20
Utilisation	26
Entretien et maintenance	30
Garantie	35
Déclaration de conformité	37

FR Description du produit



- | | | |
|--|--------------------------------|--|
| 1. Poignée de transport | 13. Tuyau haute pression | 20. Buse pour flacon de détergent |
| 2. Bouton de verrouillage de la poignée | a. Bague d'arrêt | a. Flacon |
| 3. Interrupteur rotatif marche / arrêt (I/O) | 14. Support de fixation | b. Bouton de réglage du savon |
| 4. Ancrages de cordon (x2) | 15. Pistolet de pulvérisation | 21. Brosse de nettoyage pour terrasse |
| 5. Cordon d'alimentation avec fiche | a. Gâchette | a. Bouton de réglage du débit |
| a. Serre-câble | b. Verrouillage de la gâchette | 22. Adaptateur d'arrivée d'eau |
| 6. Carter moteur | c. Levier de déblocage rapide | 23. Aiguille |
| 7. Guide pour tuyau d'arrosage | d. Raccord de tuyau | 24. Joint toriques (Ø5,1 x 1,8) (x2) |
| 8. Roues arrière (x2) | 16. Lance télescopique | 25. Joint torique (Ø11,5 x 2,5) |
| 9. Pieds avant (x2) | a. Bouton de verrouillage | 26. Vis (ST3,5 x 13) |
| 10. Bouton du dévidoir | 17. Perche télescopique | 27. Vis (ST4,8 x 16) |
| 11. Ouvertures d'aération | 18. Buse turbo | 28. Vis (ST4,8 x 16 avec grosse tête de vis) |
| 12. Raccord d'arrivée d'eau | 19. Buse variable | 29. Porte-pistolet |



Avertissements de sécurité généraux pour l'outil électrique



AVERTISSEMENT ! LIRE TOUS LES AVERTISSEMENTS DE SÉCURITÉ, LES INSTRUCTIONS, LES ILLUSTRATIONS ET LES SPÉCIFICATIONS FOURNIS AVEC CET OUTIL ÉLECTRIQUE. NE PAS SUIVRE LES INSTRUCTIONS ÉNUMÉRÉES CI-DESSOUS PEUT PROVOQUER UN CHOC ÉLECTRIQUE, UN INCENDIE ET/OU UNE BLESSURE SÉRIEUSE. CONSERVER TOUS LES AVERTISSEMENTS ET TOUTES LES INSTRUCTIONS POUR POUVOIR S'Y REPORTER ULTÉRIEUREMENT.

LE TERME «OUTIL ÉLECTRIQUE» DANS LES AVERTISSEMENTS FAIT RÉFÉRENCE À VOTRE OUTIL ÉLECTRIQUE ALIMENTÉ PAR LE SECTEUR (AVEC CORDON D'ALIMENTATION) OU VOTRE OUTIL ÉLECTRIQUE FONCTIONNANT SUR BATTERIE (SANS CORDON D'ALIMENTATION).

Sécurité de la zone de travail

- **Conserver la zone de travail propre et bien éclairée.** Les zones en désordre ou sombres sont propices aux accidents.
- **Ne pas faire fonctionner les outils électriques en atmosphère explosive, par exemple en présence de liquides inflammables, de gaz ou de poussières.** Les outils électriques produisent des étincelles qui peuvent enflammer les poussières ou les fumées.
- **Maintenir les enfants et les personnes présentes à l'écart pendant l'utilisation de l'outil électrique.** Les distractions peuvent vous faire perdre le contrôle de l'outil.

Sécurité électrique

- **Il faut que les fiches de l'outil électrique soient adaptées au socle. Ne jamais modifier la fiche de quelque façon que ce soit. Ne pas utiliser d'adaptateurs avec des outils électriques à branchement de terre.** Des fiches non modifiées et des socles adaptés réduisent le risque de choc électrique.
- **Éviter tout contact du corps avec des surfaces reliées à la terre telles que les tuyaux, les radiateurs, les cuisinières et les réfrigérateurs.** Il existe un risque accru de choc électrique si votre corps est relié à la terre.
- **Ne pas exposer les outils électriques à la pluie ou à des conditions humides.** La pénétration d'eau à l'intérieur d'un outil électrique augmente le risque de choc électrique.
- **Ne pas maltraiter le cordon. Ne jamais utiliser le cordon pour porter, tirer ou débrancher l'outil électrique. Maintenir le cordon à l'écart de la chaleur, du lubrifiant, des arêtes vives ou des parties en mouvement.** Des cordons endommagés ou emmêlés augmentent le risque de choc électrique.
- **Lorsqu'on utilise un outil électrique à l'extérieur, utiliser un prolongateur adapté à l'utilisation extérieure.** L'utilisation d'un cordon adapté à l'utilisation extérieure réduit le risque de choc électrique.
- **Si l'usage d'un outil électrique dans un emplacement humide est inévitable, utiliser une alimentation protégée par un dispositif à courant différentiel résiduel (RCD).** L'usage d'un RCD réduit le risque de choc électrique.

Avertissements de sécurité supplémentaires pour le nettoyeur haute pression :

- Cette machine peut être utilisée par des personnes ayant des capacités physiques, sensorielles ou mentales réduites ou le manque d'expérience et de connaissances si elles ont été encadrées ou formées concernant l'utilisation de la machine de façon sûre et connaissent les risques encourus.
- La machine ne doit pas être utilisée par des enfants.

- Il convient de surveiller les enfants afin de s'assurer qu'ils ne jouent pas avec l'appareil.
- Le nettoyage et l'entretien par l'utilisateur ne doivent pas être effectués par des enfants.
- Vérifier régulièrement que le cordon d'alimentation n'est pas endommagé. Si le câble d'alimentation est endommagé, il doit être remplacé par le fabricant, son service après-vente ou des personnes de qualification similaire afin d'éviter un danger.
- Porter un équipement de protection individuelle (EPI) approprié pour les appareils de nettoyage à haute pression en fonctionnement, par exemple bottes de sécurité, gants de sécurité, casques de sécurité avec visières, protections auditives, etc.
- Ne pas toucher la fiche ou la prise avec les mains mouillées. Le raccordement à l'alimentation électrique doit être réalisé par un électricien qualifié et satisfaire à l'IEC 60364-1. Il est vivement recommandé que l'alimentation électrique de cette machine comporte un dispositif à courant différentiel résiduel qui coupe l'alimentation si le courant de fuite à la terre dépasse 30 mA en 30 ms.
- **MISE EN GARDE** Cette machine a été conçue pour être utilisée avec l'agent nettoyant fourni ou recommandé par le fabricant. L'utilisation d'autres agents nettoyants ou produits chimiques peut compromettre la sécurité de la machine.
- **MISE EN GARDE** Lors de l'utilisation d'appareils de nettoyage à haute pression, des aérosols peuvent se former. L'inhalation d'aérosols peut être dangereuse pour la santé.
- **MISE EN GARDE** Les jets à haute pression peuvent être dangereux en cas de mauvaise utilisation. Le jet ne doit pas être dirigé vers des personnes, des équipements électriques sous tension ou la machine elle-même.
- **MISE EN GARDE** Ne pas utiliser la machine à portée de personnes à moins qu'elles portent des vêtements de protection.
- **MISE EN GARDE** Ne pas diriger le jet sur vous-même ou d'autres personnes dans le but de nettoyer vos vêtements ou vos chaussures.
- **MISE EN GARDE** Risque d'explosion – Ne pas pulvériser de liquides inflammables.

- **MISE EN GARDE** Les appareils de nettoyage à haute pression ne doivent pas être utilisés par des enfants ou par du personnel non formé.
- **MISE EN GARDE** Les flexibles haute pression, les raccords et les couplages sont importants pour la sécurité de la machine. Utiliser uniquement les flexibles, raccords et couplages recommandés par le fabricant.
- **MISE EN GARDE** Pour assurer la sécurité de la machine, utiliser uniquement des pièces de rechange d'origine fournies par le fabricant ou approuvées par le fabricant.
- **MISE EN GARDE** L'eau qui s'écoule par les dispositifs antiretour est considérée comme non potable.
- **MISE EN GARDE** la machine doit être déconnectée de sa source d'alimentation durant le nettoyage ou l'entretien et lors du remplacement de pièces ou de la conversion de la machine pour une autre fonction en retirant la fiche de prise de courant du socle de prise de courant.
- **MISE EN GARDE** Ne pas utiliser la machine si le câble d'alimentation ou des parties importantes de la machine sont endommagés, par exemple les dispositifs de sécurité, les flexibles haute pression, le pistolet.
- **MISE EN GARDE** Les rallonges électriques inadaptées peuvent être dangereuses. Si une rallonge électrique est utilisée, elle doit être adaptée à une utilisation à l'extérieur, et le raccordement doit être maintenu au sec et à distance du sol. Pour cela, il est recommandé d'utiliser un enrouleur de câble qui maintient la prise à au moins 60 mm du sol.
- **MISE EN GARDE** Toujours désactiver l'interrupteur d'isolement du réseau lorsque la machine est laissée sans surveillance.
- **MISE EN GARDE** Selon l'application, des buses avec écran peuvent être utilisées pour les appareils de nettoyage à haute pression, réduisant considérablement les émissions d'aérosols aqueux. Cependant, toutes les applications n'autorisent pas l'utilisation d'un tel dispositif. Si les buses avec écran ne sont pas applicables pour la protection contre les aérosols, un masque respiratoire de classe FFP 2 ou équivalent peut être nécessaire, en fonction de l'environnement de nettoyage.

- Ne jamais porter le nettoyeur haute pression par le cordon.
Ne pas tirer sur le cordon pour débrancher l'appareil de la prise de courant.



AVERTISSEMENT ! LES BLESSURES CAUSÉES PAR UNE INJECTION SOUS HAUTE PRESSION SONT CONSIDÉRÉES COMME DES URGENCES MÉDICALES. EN CAS DE LÉSION CAUSÉE PAR UNE INJECTION SOUS HAUTE PRESSION, CONSULTER IMMÉDIATEMENT UN MÉDECIN.



AVERTISSEMENT ! IL EST INTERDIT D'UTILISER DES NETTOYEURS HAUTE PRESSION SUR DES MATÉRIAUX CONTENANT DE L'AMIANTE (TOITS, CLÔTURES, MURS EN PLAQUES DE CIMENT, ETC.). CELA RISQUERAIT D'ENTRAÎNER LA LIBÉRATION D'UN GRAND NOMBRE DE FIBRES D'AMIANTE DANS L'AIR, CE QUI REPRÉSENTE UN GRAVE DANGER POUR LA SANTÉ. AU MOINDRE DOUTE SUR LES MATÉRIAUX À NETTOYER, IL EST RECOMMANDÉ DE CONTACTER LA MAIRIE OU L'AUTORITÉ GOUVERNEMENTALE CONCERNÉE.

- Une mauvaise prise en main du pistolet / de la lance peut infliger des blessures à soi-même, à d'autres personnes, et entraîner des dégâts matériels. La force de réaction de la pulvérisation peut entraîner un mouvement du pistolet / de la lance, ce qui peut provoquer un glissement, une chute ou une mauvaise orientation du jet par l'utilisateur.



AVERTISSEMENT ! SE FAMILIARISER AVEC LE FONCTIONNEMENT ET LES COMMANDES DU NETTOYEUR HAUTE PRESSION.

- Ne jamais modifier ni retirer les dispositifs de sécurité de cet appareil. Ne pas utiliser l'appareil avec des pièces non conformes ou si certaines pièces sont manquantes ou cassées.
- Ne jamais laisser la lance sans surveillance lorsque l'appareil est en marche.
- Ne jamais entortiller ni plier le tuyau haute pression, sous peine de l'endommager.
- Retirer tout obstacle de la zone de travail.
- Se tenir sur une surface stable et tenir fermement le pistolet / la lance à deux mains. La haute pression peut provoquer le rebond d'objets. Si nécessaire, porter un équipement de protection individuelle adapté, tel que des lunettes de protection.
- Les pneus / valves de pneu de véhicules doivent être nettoyés à une distance minimale de 30 cm afin d'éviter tout dommage causé par le jet haute pression. Une décoloration du pneu indique que celui-ci est détérioré. Les pneus / valves de pneu endommagés représentent un danger mortel.



AVERTISSEMENT ! RISQUE D'EXPLOSION –
NE PAS PULVÉRISER DE LIQUIDES INFLAMMABLES
TELS QUE DE L'ESSENCE, DU CARBURANT, DU
KÉROSÈNE, DES SOLVANTS OU DES DILUANTS.
LE NON-RESPECT DE CET AVERTISSEMENT PEUT
ENTRAÎNER DES BLESSURES GRAVES, VOIRE
MORTELLES, AINSI QUE DES DÉGÂTS MATÉRIELS.



AVERTISSEMENT ! CETTE MACHINE NE DOIT
PAS ÊTRE RACCORDÉE AU RÉSEAU D'EAU
POTABLE SANS DISPOSITIF ANTIRETOUR.
VÉRIFIER LES RÉGLEMENTATIONS LOCALES ET
NATIONALES RELATIVES AUX CANALISATIONS
AVANT DE RACCORDER LE PRODUIT AU RÉSEAU
D'EAU POTABLE. L'EAU QUI S'EST ÉCOULÉE
À TRAVERS UN DISPOSITIF ANTIRETOUR EST
CONSIDÉRÉE COMME NON POTABLE.

En cas d'urgence

Se familiariser avec l'utilisation de cette machine à l'aide de ce manuel d'instructions. Mémoriser les consignes de sécurité et les suivre à la lettre. Cela aidera à prévenir les risques et dangers.

- **Toujours rester vigilant lors de l'utilisation de cette machine, de façon à reconnaître et gérer rapidement les risques.** Une intervention rapide permet d'éviter des blessures graves et des dégâts matériels.
- **Éteindre la machine et débrancher la fiche de l'alimentation en cas de dysfonctionnement.** Faire vérifier la machine par un professionnel qualifié et la faire réparer, si nécessaire, avant de l'utiliser à nouveau.

Risques résiduels

Même en cas d'utilisation de cette machine conformément à toutes les exigences de sécurité, des risques de blessures et de dommages demeurent. Les dangers suivants peuvent survenir en relation avec la structure et la conception de cette machine :






- Problèmes de santé résultant de l'émission de vibrations si la machine est utilisée sur de longues périodes ou si elle n'est pas utilisée et entretenue correctement.
- Blessures et dommages matériels dus à des outils cassés ou à l'impact soudain d'objets cachés pendant l'utilisation.
- Risque de blessures et de dommages matériels causés par des projections d'objets ou par l'utilisation d'accessoires inadaptés.



AVERTISSEMENT ! CE PRODUIT GÉNÈRE UN CHAMP ÉLECTROMAGNÉTIQUE DURANT LE FONCTIONNEMENT ! CE CHAMP PEUT DANS CERTAINS CAS NUIRE À DES IMPLANTS MÉDICAUX ACTIFS OU PASSIFS ! POUR RÉDUIRE LE RISQUE DE BLESSURES GRAVES, VOIRE MORTELLES, NOUS RECOMMANDONS AUX PERSONNES AYANT DES IMPLANTS MÉDICAUX DE CONSULTER LEUR MÉDECIN ET LE FABRICANT DE L'IMPLANT MÉDICAL AVANT D'UTILISER CE PRODUIT !

Symboles

Sur le produit, sur la plaque signalétique et dans les présentes instructions, se trouvent entre autres les symboles et abréviations suivants. Se familiariser avec ceux-ci afin de réduire les risques de blessures et de dommages matériels.

V ~	Volt (tension alternative)	Hz	Hertz
W	Watt	l/h	Litre par heure
mm	Millimètre	m	Mètre
g	Gramme	kg	Kilogramme
MPa	Mégapascal, unité de pression	bar	Unité de pression
N	Newton	kWh/an	Kilowattheures par an
dB(A)	Décibel (pondéré A)	m/s ²	Mètres par seconde carrée
	Verrouiller / serrer ou fixer.		Déverrouiller / desserrer.
	Lire le manuel d'instructions.		
	Remarque.		Attention / Avertissement.
yyWxx	Code de date de fabrication : année de fabrication (20yy) et semaine de fabrication (Wxx).		
IPX5	Protection contre les jets d'eau.		



Toujours porter un casque antibruit.



Toujours porter des lunettes de protection.



Porter un masque antipoussière.



Porter des gants de protection.



Porter des chaussures de sécurité antidérapantes.



Porter des vêtements de protection ajustés.



Mettre la machine hors tension et la débrancher de l'alimentation électrique avant l'assemblage, le nettoyage, les réglages, la maintenance, le rangement et le transport.



Débrancher immédiatement la fiche de l'alimentation secteur si le câble ou la rallonge sont emmêlés, endommagés ou coupés. **NE PAS TOUCHER AU CORDON AVANT D'AVOIR DÉBRANCHÉ L'ALIMENTATION.**



Des objets projetés par la machine peuvent heurter l'utilisateur ou les personnes présentes. Toujours s'assurer que les personnes présentes et les animaux de compagnie restent à une distance sûre de la machine lorsqu'elle fonctionne. En général, les enfants ne doivent pas s'approcher de la zone dans laquelle se trouve la machine.



Mise en garde : Machine non adaptée au raccordement au réseau d'alimentation en eau potable.



Ne pas diriger le jet d'eau vers des personnes, des animaux, des équipements électriques sous tension ou le produit lui-même.



Ce produit appartient à la classe de protection II. Cela signifie qu'il est équipé d'une isolation renforcée ou double.



Niveau de puissance acoustique garanti : 92 dB(A).




Symbole DEEE. Les produits électriques usagés ne doivent pas être mis au rebut avec les déchets ménagers. Recycler le produit si des installations sont prévues à cet effet. Se renseigner auprès des autorités locales ou du magasin pour plus d'informations sur le recyclage.



Le produit est conforme aux directives européennes en vigueur et une procédure d'évaluation de la conformité à ces directives a été effectuée.

Caractéristiques techniques

Généralités

> Tension nominale, fréquence	: 230-240 V~, 50 Hz
> Puissance d'entrée nominale	: 2200 W
> Pression nominale P_{nom}	: 10,5 MPa (105 bar)
> Pression admissible P_{max}	: 15,5 MPa (155 bar)
> Débit nominal Q_{nom}	: 360 l/h
> Débit max. Q_{max}	: 460 l/h
> Pression d'entrée max. $P_{E MAX}$: 1 MPa (10 bar)
> Température max. de l'eau	: 50 °C
> Consommation annuelle d'énergie	: 30 kWh/an
> Force de recul au niveau de la poignée	: < 20 N
> Classe de protection	: II / 
> Indice de protection	: IPX5
> Poids	: env. 11,2 kg (net) env. 13,6 kg (brut)
> Longueur du tuyau haute pression	: env. 8 m
> Longueur du cordon d'alimentation	: env. 5 m
> Dimensions	: env. 335 x 342 x (593-850) mm
> Impédance maximale admissible du réseau Z_{max}	: 0,371 ohm

Valeurs sonores

> Niveau de pression acoustique L_{pA}	: 90,7 dB(A)
> Facteur d'incertitude K_{pA}	: 3 dB(A)
> Niveau de puissance acoustique mesuré L_{wA}	: 91,5 dB(A)
> Facteur d'incertitude K_{wA}	: 3 dB(A)
> Niveau de puissance acoustique garanti L_{wA} (selon la directive 2000/14/CE modifiée par la directive 2005/88/CE)	: 92 dB(A)

Valeurs des vibrations main-bras

> Poignée $a_{h,w}$: 2,5 m/s ²
> Facteur d'incertitude K	: 1,5 m/s ²

Les valeurs sonores ont été déterminées conformément au code d'essai acoustique indiqué dans la norme EN ISO 3744:1955.

Le niveau d'intensité sonore pour l'utilisateur est susceptible de dépasser 80 dB(A) et un casque antibruit est nécessaire.

Les valeurs totales de vibrations et d'émissions sonores déclarées ont été mesurées conformément à une méthode de test standard (ISO 3744:2010, EN 60335-2-79) et peuvent être utilisées pour comparer un produit par rapport à un autre. Ces valeurs peuvent également être utilisées lors d'une évaluation préliminaire d'exposition.



AVERTISSEMENT ! LES ÉMISSIONS SONORES ET LES VIBRATIONS LORS DE L'UTILISATION RÉELLE DE LA MACHINE PEUVENT DIFFÉRER DE LA VALEUR TOTALE DÉCLARÉE SELON LA MANIÈRE DONT LA MACHINE EST UTILISÉE, EN PARTICULIER EN FONCTION DU TYPE DE MATÉRIAU TRAITÉ.

IL EST NÉCESSAIRE D'IDENTIFIER DES MESURES DE SÉCURITÉ POUR PROTÉGER L'OPÉRATEUR BASÉES SUR UNE ESTIMATION DE L'EXPOSITION DANS LES CONDITIONS RÉELLES D'UTILISATION (EN TENANT COMPTE DE TOUTES LES PARTIES DU CYCLE DE FONCTIONNEMENT, TELLES QUE LES MOMENTS OÙ LA MACHINE EST ÉTEINTE ET LORSQU'ELLE TOURNE AU RALENTI, EN PLUS DE LA DURÉE D'ACTIVATION).

Explication de la plaque signalétique

MCB1286PRW = Numéro de modèle

MC = **MACAllister** (nom de la marque)

B = Tension (230-240 V~)

1286 = Code séquentiel

PRW = Nettoyeur haute pression

TTB1288PRW = Numéro de modèle

TT = **TITAN** (nom de la marque)

B = Tension (230-240 V~)

1288 = Code séquentiel

PRW = Nettoyeur haute pression

FR Préparation

Déballage

1. Déballer tous les éléments et les poser sur une surface plane et stable.
2. Retirer tous les matériaux d'emballage et dispositifs d'expédition, le cas échéant.
3. S'assurer que les éléments livrés sont complets et exempts de tout dommage. S'il s'avère que certaines pièces sont manquantes ou endommagées, ne pas utiliser la machine et contacter le revendeur. L'utilisation d'une machine endommagée ou incomplète représente un danger pour les personnes et le matériel.
4. S'assurer de disposer de tous les accessoires et outils nécessaires au montage et à l'utilisation de la machine. Cela inclut également un équipement de protection individuelle adapté.



AVERTISSEMENT ! LA MACHINE ET L'EMBALLAGE NE SONT PAS DES JOUETS POUR ENFANTS ! LES ENFANTS NE DOIVENT PAS JOUER AVEC LES SACS ET LES FILMS EN PLASTIQUE, NI AVEC LES PETITES PIÈCES ! IL EXISTE UN DANGER D'ÉTOUFFEMENT ET DE SUFFOCATION !

Vous aurez besoin de

(Éléments non fournis)

Équipement de protection individuelle approprié

Rallonge adaptée pour une utilisation en extérieur

Tuyau d'arrosage avec raccord et filtre

Détergent approprié

Tournevis cruciforme adapté

(Éléments fournis)

Tuyau haute pression (13)

Pistolet de pulvérisation (15)

Lance télescopique (16)

Perche télescopique (17)

Buse turbo (18)

Buse variable (19)

Buse pour flacon de détergent (20)

Brosse de nettoyage pour terrasse (21)

Adaptateur d'arrivée d'eau (22)

Aiguille (23)

Joint toriques (Ø5,1 x 1,8) (x2) (24)

Joint torique (Ø11,5 x 2,5) (25)

Vis (ST3,5 x 13) (26)

Vis (ST4,8 x 16) (27)

Vis (ST4,8 x 16 avec grosse tête de vis) (28)

Porte-pistolet (29)



REMARQUE : Les accessoires requis dépendent de l'application prévue. Demander conseil au revendeur.



AVERTISSEMENT ! MONTER ENTIÈREMENT LA MACHINE AVANT TOUTE UTILISATION ! NE PAS UTILISER UNE MACHINE QUI N'EST QUE PARTIELLEMENT MONTÉE OU MONTÉE AVEC DES PIÈCES ENDOMMAGÉES !



SUIVRE LES INSTRUCTIONS DE MONTAGE ÉTAPE PAR ÉTAPE ET SE SERVIR DES IMAGES FOURNIES COMME GUIDE VISUEL POUR ASSEMBLER FACILEMENT LA MACHINE !

AVANT D'UTILISER LA MACHINE, SE FAMILIARISER AVEC LES CARACTÉRISTIQUES DE FONCTIONNEMENT, LIRE L'INTÉGRALITÉ DU MANUEL D'INSTRUCTIONS EN PRÊTANT UNE ATTENTION PARTICULIÈRE AUX RÈGLES DE SÉCURITÉ ET AUX PROCÉDURES DE FONCTIONNEMENT.

NE PAS RACCORDER LA MACHINE À LA SOURCE D'ALIMENTATION AVANT QU'ELLE NE SOIT ENTIÈREMENT ASSEMBLÉE.

Plaque de fixation

1. Faire glisser le support de fixation (14) sur son emplacement et aligner le trou de montage, puis fixer le raccord avec une vis (ST3,5 x 13) (26) à l'aide d'un tournevis cruciforme adapté (non fourni) (Fig. 1a).

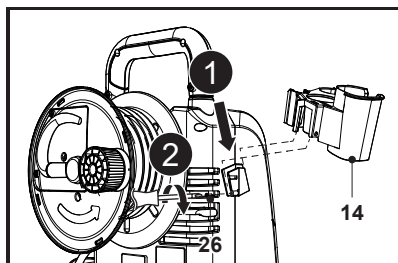


Fig. 1a

2. Appuyez pour aligner avec la rainure en U au bas du boîtier. (Fig. 1b)

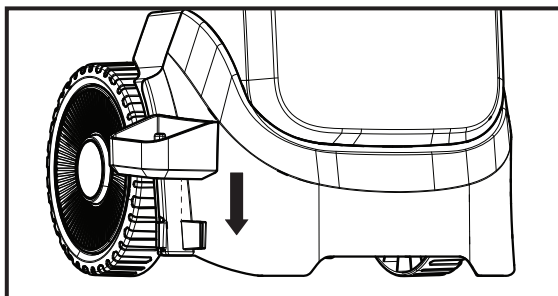


Fig. 1b

Guide pour tuyau d'arrosage

Aligner le trou de montage du guide pour tuyau d'arrosage (7) sur son emplacement sur la machine, puis fixer le raccord avec la vis (ST4,8 x 16 avec grosse tête de vis) (28) à l'aide d'un tournevis cruciforme adapté (non fourni) (Fig. 2, étapes 1 et 2).

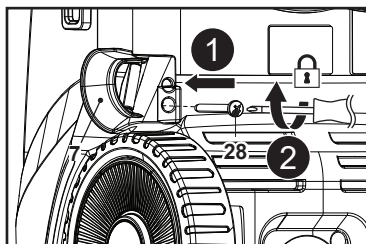


Fig. 2

Dévidoir

Le dévidoir avec tuyau haute pression (13) a été préassemblé sur la machine en usine.

1. Aligner le trou de montage du bouton du dévidoir (10) sur son emplacement sur la machine, puis fixer le raccord avec la vis (ST4,8 x 16) (27) à l'aide d'un tournevis cruciforme adapté (non fourni) (Fig. 3, étapes 1 et 2).
2. Guider le tuyau haute pression (13) à travers le guide pour tuyau d'arrosage (7), puis fixer la bague d'arrêt (13a) à l'extrémité (Fig. 4, étapes 1 et 2).

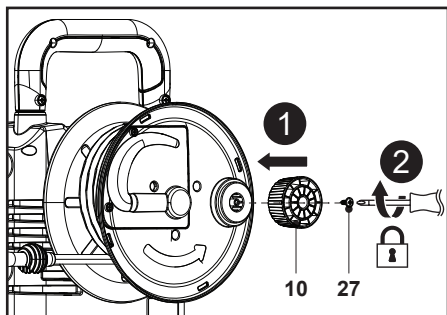


Fig. 3

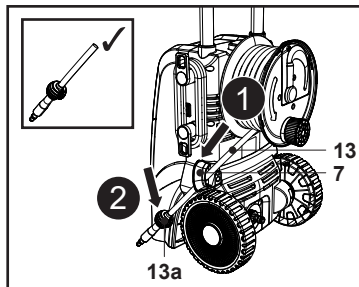


Fig. 4

Connexion / déconnexion des accessoires du pistolet de pulvérisation

1. Aligner et insérer la lance télescopique (16) dans l'extrémité du pistolet de pulvérisation (15) (Fig. 5, étape 1).
2. Enfoncer et tourner manuellement la lance télescopique (16) dans le sens horaire sur le pistolet de pulvérisation (15) jusqu'à ce qu'elle soit bien serrée pour la verrouiller (Fig. 5, étape 2).
3. Aligner les deux robinets de buse sur les fentes de la lance télescopique (16), puis insérer la buse turbo (18) ou la buse variable (19) jusqu'au bout (Fig. 5, étape 3).
4. Aligner les deux robinets de la buse pour flacon de détergent (20) sur le pistolet de pulvérisation (15), puis pousser et tourner manuellement la buse pour flacon de détergent (20) dans le sens horaire sur le pistolet de pulvérisation (15) jusqu'à ce qu'elle se verrouille.
5. La brosse de nettoyage pour terrasse (21) peut être assemblée sur la lance télescopique (16), puis la combinaison peut être assemblée directement sur le pistolet de pulvérisation (15) ou via la perche télescopique (17).

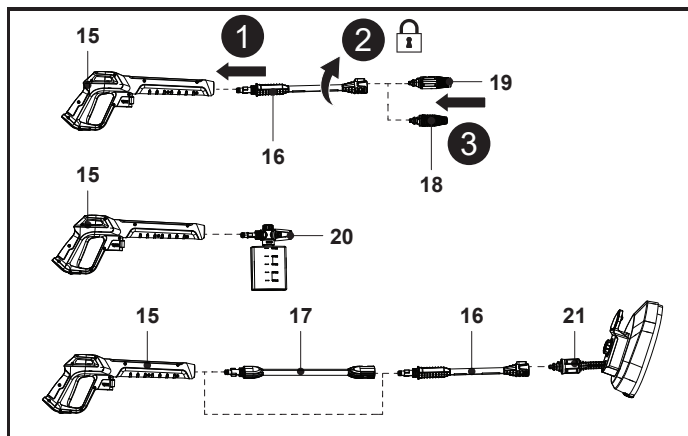


Fig. 5



REMARQUE : Lorsque deux composants sont connectés correctement, il est impossible de les séparer en tirant dessus. Pour une utilisation correcte, tous les accessoires du pistolet de pulvérisation doivent être insérés dans le pistolet de pulvérisation (15).

6. Pour déconnecter la buse, appuyer sur le bouton de verrouillage (16a) et le maintenir, puis retirer la buse assemblée (Fig. 6, étapes 1 et 2). Réinstaller la buse requise.
7. Pour déconnecter la lance télescopique (16), la pousser et la tourner dans le sens antihoraire pour la retirer (Fig. 6, étapes 3, 4 et 5).
8. Pour déconnecter la buse pour flacon de détergent (20) ou la perche télescopique (17) du pistolet de pulvérisation (15), la pousser et la tourner dans le sens antihoraire pour la retirer. Réinstaller l'accessoire du pistolet de pulvérisation requis.

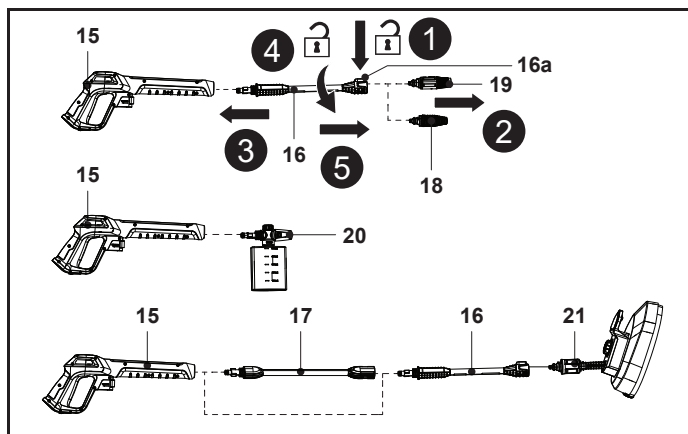


Fig. 6

Connexion / déconnexion du tuyau haute pression

1. Tirer doucement sur le tuyau haute pression (13) pour le retirer. Nous conseillons de dérouler complètement le tuyau haute pression (13) avant l'utilisation.
2. Enfoncer l'extrémité du tuyau haute pression (13) dans le raccord de tuyau (15d) du pistolet de pulvérisation (15) jusqu'au bout. Un dé clic doit se faire entendre (Fig. 7).

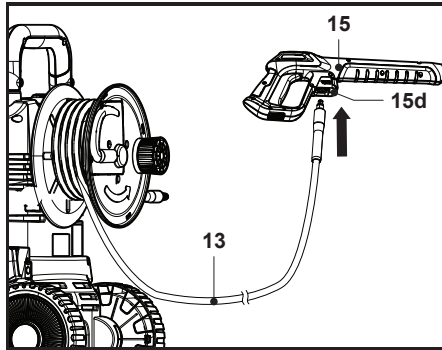


Fig. 7



AVERTISSEMENT ! NE JAMAIS ENTORTILLER NI PLIER LE TUYAU HAUTE PRESSION (13), SOUS PEINE DE L'ENDOMMAGER.

3. Pour déconnecter le tuyau haute pression (13) du pistolet de pulvérisation (15), enfoncer le levier de déblocage rapide (15c) en direction du tuyau haute pression (13) et le maintenir, puis détacher le tuyau haute pression (13) (Fig. 8, étapes 1 et 2).

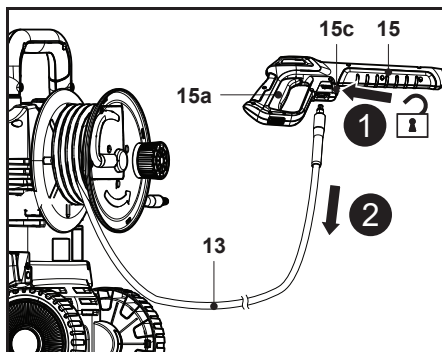


Fig. 8



AVERTISSEMENT ! EAU SOUS PRESSION. COUPER L'ARRIVÉE D'EAU, ARRÊTER LA MACHINE ET APPUYER SUR LA GÂCHETTE DU PISTOLET DE PULVÉRISATION (15A) POUR ÉVACUER LA PRESSION AVANT DE DÉCONNECTER LE TUYAU HAUTE PRESSION (13).

Raccordement de l'adaptateur d'arrivée d'eau

Aligner et visser l'adaptateur d'arrivée d'eau (22) sur le raccord d'arrivée d'eau (12) à l'arrière de la machine (Fig. 9, étapes 1 et 2).

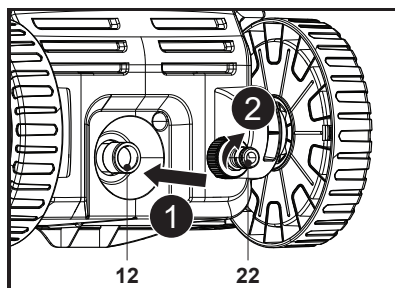


Fig. 9

i **REMARQUE** : Le raccord d'arrivée d'eau (12) est équipé d'un filtre en mailles fines. Ce filtre doit être installé pour empêcher les impuretés présentes dans la source d'eau de pénétrer dans la machine et d'endommager la pompe située à l'intérieur de la machine.

Raccordement à l'alimentation en eau

Ce nettoyeur haute pression nécessite une source d'eau sous pression avec une pression maximale de 1 MPa (145psi). Il est recommandé d'utiliser un tuyau d'arrosage renforcé (d'un diamètre minimum de 12 mm) pour le raccord d'arrivée d'eau. Il ne peut pas être utilisé avec un seau et un siphon.

1. Rincer le tuyau d'arrosage (non fourni) à l'eau pour éliminer tout corps étranger.
2. Fixer le tuyau d'arrosage à l'adaptateur d'arrivée d'eau (22) sur le raccord d'arrivée d'eau (12) de la machine (Fig. 10, étape 1). Toujours utiliser un raccord standard pour l'arrivée d'eau. Pour un fonctionnement correct, la longueur du tuyau ne doit pas dépasser 8m.

i **REMARQUE** : Si un filtre est installé au niveau du raccord du tuyau d'eau pour empêcher la pénétration de débris dans la pompe, inspecter et nettoyer le filtre avant utilisation, car une alimentation en eau insuffisante pourrait endommager la pompe.

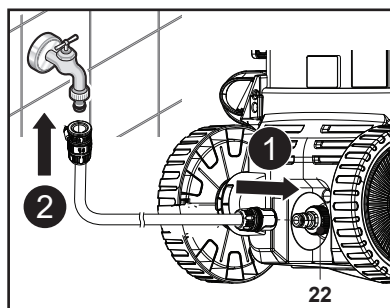


Fig. 10

3. Raccorder l'autre extrémité du tuyau d'arrosage à une source d'alimentation en eau (Fig. 10, étape 2).



AVERTISSEMENT ! CETTE MACHINE N'EST PAS ADAPTÉE À UNE CONNEXION AU RÉSEAU D'EAU POTABLE.



RESPECTER LES RÉGLEMENTATIONS DE VOTRE FOURNISSEUR D'EAU LOCAL LORS DU RACCORDEMENT DU PRODUIT À UNE CONDUITE D'ALIMENTATION EN EAU ! IL EST INTERDIT DE RACCORDER CETTE MACHINE AU RÉSEAU D'EAU POTABLE SANS CLAPET ANTIRETOUR RÉPONDANT À LA NORME EN 12729 TYPE BA OU EN 61770 !

4. Tirer doucement sur le tuyau d'arrosage pour vérifier que le raccord est bien fixé.

Raccordement à l'alimentation électrique



REMARQUE : La machine est équipée d'un cordon d'alimentation d'une longueur de 5 m. Si une rallonge supplémentaire est nécessaire pour le fonctionnement, respecter les exigences techniques relatives à ce produit lors de l'achat d'une rallonge.

La rallonge doit, au minimum, être de type H05VV-F et avoir une section transversale de 2,5 mm². La longueur totale de câble ne doit pas dépasser 25 mètres. La prise de la rallonge électrique doit être étanche aux projections d'eau.

Dérouler complètement la rallonge.

Toujours vérifier la fiche, la prise et la rallonge et s'assurer qu'elles sont en bon état avant de les utiliser.

1. S'assurer que l'interrupteur rotatif marche / arrêt (I/O) (3) est en position d'arrêt.
2. Dérouler complètement le cordon d'alimentation des deux ancrages de cordon (4), puis brancher la fiche du cordon d'alimentation (5) sur une prise de courant adaptée.



AVERTISSEMENT ! VÉRIFIER LA TENSION ! LA TENSION DOIT ÊTRE CONFORME AUX INFORMATIONS SUR LA PLAQUE SIGNALÉTIQUE !

TOUJOURS UTILISER LA MACHINE VIA UN DISPOSITIF DIFFÉRENTIEL À COURANT RÉSIDUEL (DDR) AVEC UN COURANT DE DÉCLENCHEMENT MAXIMAL DE 30 mA.

3. La machine est maintenant prête à l'utilisation.

FR Fonctions et réglages

Utilisation prévue

Ce nettoyeur haute pression électrique affiche une puissance nominale de 2200 Watts.

La machine est conçue pour nettoyer des zones et des objets situés à l'extérieur de la maison, des outils, des véhicules et des bateaux, avec les accessoires et les nettoyeurs adaptés.

Utiliser la machine uniquement à des températures comprises entre 0 °C et 50 °C.

Pour des raisons de sécurité, il est impératif de lire l'intégralité du manuel d'instructions avant toute utilisation et de respecter toutes les consignes qu'il contient.

Cette machine est uniquement destinée à une utilisation domestique privée, et non à des fins commerciales. Elle ne doit pas être utilisée à des fins autres que celles prévues.

Utilisation des différentes buses

Busse variable

La buse variable (19) permet d'utiliser plusieurs types de jet, du jet en éventail au jet direct (Jet).

Tourner l'extrémité de la buse dans le sens horaire pour utiliser le mode « Jet » et dans le sens antihoraire pour utiliser le mode « Spray » (Fig. 11).

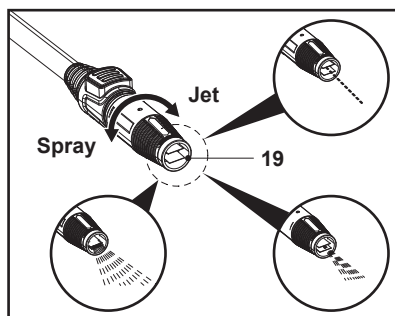


Fig. 11

- Mode Jet

Le nettoyeur produit un jet d'eau formant une ligne directe afin d'éliminer la boue et d'autres saletés tenaces sur des machines agricoles, etc. Maintenir en permanence la lance de pulvérisation à 15-25 cm de la surface à nettoyer.

- Mode Spray

Le nettoyeur produit un jet formant un large éventail afin de nettoyer les terrasses en bois, les murs, les motos, les voitures, etc. Toujours commencer par utiliser le jet en éventail et commencer à pulvériser à au moins 90 cm de distance pour éviter d'endommager le matériau de la surface à nettoyer. Toujours commencer par pulvériser l'eau sur une zone de test dégagee, à l'écart de tout objet et de tout individu.



REMARQUE : Régler d'abord le jet sur le mode « Jet », puis tourner progressivement la buse en position « Spray » tout en appuyant sur la gâchette du pistolet de pulvérisation.

Remarque : Il est possible de pulvériser de l'eau horizontalement sur une large zone en tournant complètement la buse en position « Spray ».

Remarque : La buse peut être endommagée si l'utilisateur dépasse la position de butée en alternant entre les modes « Jet » et « Spray ».

Buse turbo

La buse turbo (18) tourne pendant qu'elle pulvérise des jets d'eau à haute pression pour un lavage efficace (Fig. 12).

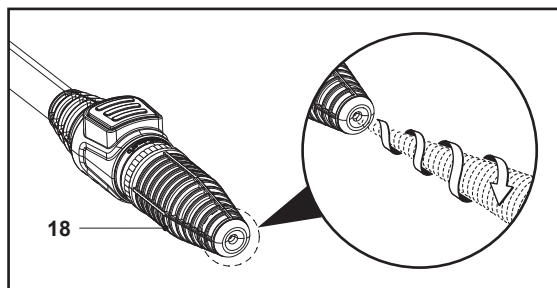


Fig. 12



ATTENTION ! NE PAS ESSAYER DE RÉGLER LA BUSE TURBO.

ÉVITER DE L'UTILISER SUR DES OBJETS FRAGILES OU DONT LES REVÊTEMENTS SE DÉCOLLENT FACILEMENT.

Buse pour flacon de détergent

La buse pour flacon de détergent (20) permet de pulvériser un mélange d'eau et de détergent à basse pression.

Les détergents peuvent augmenter l'effet nettoyant de l'eau. Utiliser uniquement des détergents neutres disponibles dans le commerce.

Remplir et utiliser le détergent comme indiqué sur la Fig. 13.

1. Tenir la buse pour flacon de détergent (20), puis déverrouiller et retirer le flacon (20a) (Fig. 13, étape 1).
2. S'assurer que le tuyau d'alimentation en eau est bien fixé à la buse de détergent (20).
3. Verser un détergent neutre non dilué dans le flacon.
4. Placer la buse pour flacon de détergent (20) sur le flacon (20a) (Fig. 13, étape 2).
5. Tenir la buse pour flacon de détergent (20), puis y fixer fermement le flacon (20a) (Fig. 13, étape 3).
6. Tourner le bouton de réglage (20b) dans le sens horaire pour augmenter la dose de savon utilisée pendant le lavage et dans le sens antihoraire pour la diminuer (Fig. 13, étape 4).
7. Monter la buse pour flacon de détergent (20) sur le pistolet de pulvérisation (15).
8. La buse pour flacon de détergent (20) est prête à l'emploi.

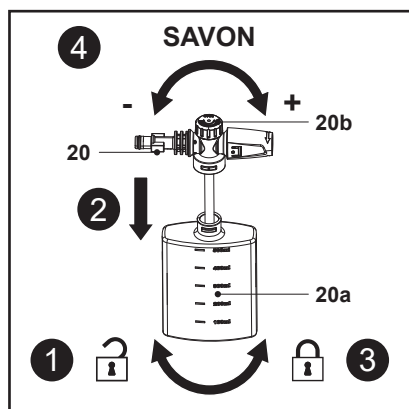


Fig. 13



AVERTISSEMENT ! NE PAS UTILISER DE DÉTERGENTS ACIDES OU ALCALINS. UTILISER UNIQUEMENT DES DÉTERGENTS NEUTRES DISPONIBLES DANS LE COMMERCE.

L'UTILISATION DE DÉTERGENTS AUTRES QUE DES PRODUITS CHIMIQUES OU DES DÉTERGENTS NEUTRES PEUT ENTRAÎNER DES ACCIDENTS OU DES DYSFONCTIONNEMENTS.

Brosse de nettoyage pour terrasse

La brosse de nettoyage pour terrasse (21) permet d'éliminer efficacement les saletés légères à tenaces tout en respectant les surfaces traitées.

Tourner le bouton de réglage du débit (21a) dans le sens horaire pour augmenter la vitesse de nettoyage et dans le sens antihoraire pour la réduire (Fig. 14).

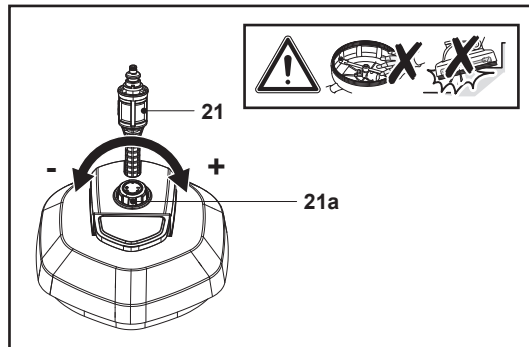


Fig. 14



AVERTISSEMENT ! LA BROSSSE DE NETTOYAGE POUR TERRASSE (21) EST DESTINÉE UNIQUEMENT AU NETTOYAGE DES SURFACES ET PEUT ÊTRE ENDOMMAGÉE SI ELLE EST UTILISÉE POUR LE NETTOYAGE DES BORDS.

NE PAS TOUCHER LA PIÈCE EN ROTATION LORSQUE LA MACHINE EST EN MARCHÉ.

Réglage de la poignée de transport

1. Appuyer sur le bouton de verrouillage de la poignée (2) et le maintenir enfoncé, puis tirer la poignée de transport (1) jusqu'en butée (Fig. 15).
2. Appuyer sur le bouton de verrouillage de la poignée (2) et le maintenir enfoncé, puis appuyer sur la poignée de transport (1) pour la rétracter (Fig. 16).

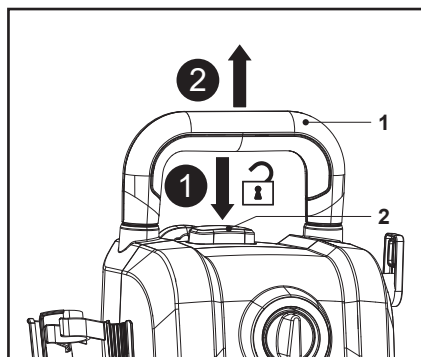


Fig. 15

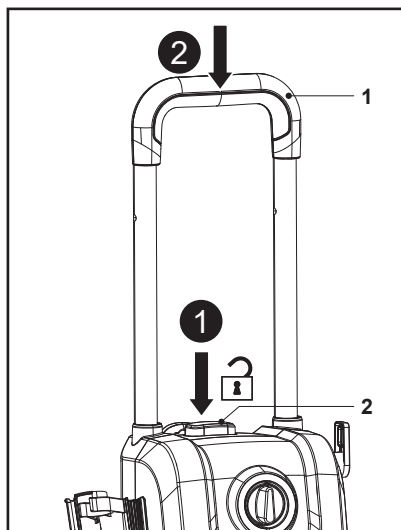


Fig. 16

Démarrage



AVERTISSEMENT ! NE PAS LAISSER LA MACHINE FONCTIONNER À SEC, SOUS PEINE DE L'ENDOMMAGER.

VEILLER À CE QUE LE NETTOYEUR HAUTE PRESSON REPOSE SUR UN SOL PLAT ET DUR.

TOUJOURS PLACER LE NETTOYEUR HAUTE PRESSON EN POSITION VERTICALE PENDANT L'UTILISATION.

1. Ouvrir le robinet pour laisser l'eau s'écouler dans la pompe (Fig. 17, étape 1).
2. Brancher le cordon d'alimentation (5) à la source d'alimentation en s'assurant que l'interrupteur rotatif marche / arrêt (3) est en position d'arrêt (Fig. 17, étape 2).
3. Tirer vers l'arrière le verrouillage de la gâchette (15b) au bas du pistolet de pulvérisation (15) pour déverrouiller la gâchette du pistolet de pulvérisation (15a) (Fig. 17, étape 3).
4. Appuyer à fond sur la gâchette (15a) jusqu'à produire un débit d'eau constant pour évacuer l'air de la machine et du tuyau d'alimentation en eau (Fig. 17, étape 4). Relâcher la gâchette du pistolet de pulvérisation (15a).
5. Mettre la machine en marche en tournant l'interrupteur rotatif marche / arrêt (3) pour le mettre en position « I » (Fig. 17, étape 5).
6. Diriger le pistolet vers le bas. Diriger la lance vers l'objet à nettoyer. S'assurer que la distance de travail est correcte.
7. Appuyer à fond sur la gâchette du pistolet de pulvérisation (15a) pour libérer le jet d'eau.

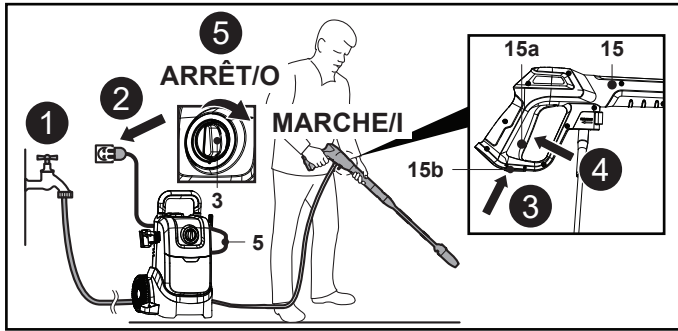


Fig. 17



AVERTISSEMENT ! UNE UTILISATION PROLONGÉE DE L'APPAREIL PEUT ENTRAÎNER DES PROBLÈMES DE CIRCULATION DANS LES MAINS EN RAISON DES VIBRATIONS.

IL EST IMPOSSIBLE DE SPÉCIFIER UN TEMPS D'UTILISATION SÛR, CAR CELA DÉPEND DE PLUSIEURS FACTEURS :

- PRÉDISPOSITION À DES PROBLÈMES DE CIRCULATION SANGUINE (DOIGTS FROIDS / ENGOURDIS).
- TEMPÉRATURE AMBIANTE BASSE. PORTER DES GANTS CHAUDS POUR SE PROTÉGER LES MAINS.
- UNE PRISE TROP FERME RALENTIT LA CIRCULATION SANGUINE.
- AU LIEU D'UTILISER L'APPAREIL EN CONTINU, IL EST PRÉFÉRABLE DE FAIRE RÉGULIÈREMENT DES PAUSES. EN CAS D'APPARITION RÉPÉTÉE DE SYMPTÔMES (DOIGTS FROIDS / ENGOURDIS) ASSOCIÉE À UNE UTILISATION PROLONGÉE RÉGULIÈRE DE L'APPAREIL, CONSULTER UN MÉDECIN.

Arrêt



AVERTISSEMENT ! LORS DE L'ARRÊT DE LA MACHINE, UNE HAUTE PRESSON EST TOUJOURS PRÉSENTE À L'INTÉRIEUR DU TUYAU ET DE LA MACHINE. DIRIGER LE PISTOLET VERS UN ENDROIT SANS DANGER ET ÉVACUER L'EXCÈS DE PRESSON.

NE JAMAIS DIRIGER LE JET D'EAU HAUTE PRESSON EN DIRECTION DE PERSONNES OU D'ANIMAUX.

1. Fermer le robinet.
2. Appuyer sur la gâchette du pistolet de pulvérisation (15a) jusqu'à ce que l'eau goutte hors de la buse pour évacuer la pression résiduelle à l'intérieur du tuyau haute pression (13). La machine est alors dépressurisée.
3. Relâcher la gâchette du pistolet de pulvérisation (15a).
4. Pousser le verrouillage de la gâchette (15b) au bas du pistolet de pulvérisation (15) vers l'avant pour verrouiller la gâchette du pistolet de pulvérisation (15a). Le pistolet de pulvérisation ne peut plus être actionné accidentellement.
5. Arrêter la machine en tournant l'interrupteur rotatif marche / arrêt (3) pour le mettre en position « O ».



REMARQUE : Le fait de laisser le nettoyeur haute pression allumé peut entraîner un fonctionnement à sec susceptible de provoquer des dysfonctionnements.

Fonction d'arrêt automatique

La machine est conçue pour couper le moteur lorsque l'utilisateur relâche la gâchette (15a) du pistolet de pulvérisation (15).

Mécanismes de sécurité

Pour garantir une utilisation en toute sécurité, le nettoyeur haute pression est équipé des mécanismes de sécurité suivants.

Interrupteur rotatif marche / arrêt

Ce dispositif évite toute utilisation involontaire du nettoyeur haute pression.

Gâchette du pistolet de pulvérisation équipée d'un système de verrouillage

Ce dispositif évite de tirer accidentellement la gâchette du pistolet de pulvérisation (15a), ce qui entraînerait le démarrage du nettoyeur haute pression.

Contacteur à pression

Ce dispositif empêche la pression à l'intérieur du nettoyeur haute pression de dépasser les niveaux autorisés. Le fait de relâcher la gâchette du pistolet de pulvérisation (15a) provoque l'arrêt de la pompe par la soupape de pression d'eau, ce qui permet d'évacuer la pression par l'alimentation en eau. La pompe redémarre lorsque la gâchette du pistolet de pulvérisation (15a) est enfoncée.

Mécanisme de protection thermique

Ce dispositif protège le moteur en arrêtant la machine lorsqu'une chaleur anormale est détectée dans le moteur. Le fonctionnement reprend lorsque le moteur refroidit.

FR Utilisation

Fonctionnement général

1. Avant chaque utilisation, vérifier que la machine, le cordon d'alimentation, la prise et les accessoires ne sont pas endommagés. Ne pas utiliser la machine si elle est endommagée ou présente des signes d'usure. Régler tout problème éventuel et faire vérifier la machine par un spécialiste qualifié.
2. Vérifier soigneusement que les accessoires et outils sont fixés correctement.
3. Toujours transporter la machine à l'aide de la poignée de transport (1) et des roues arrière (8).
4. Toujours tenir fermement le pistolet de pulvérisation à deux mains, par sa poignée et par sa surface de préhension. Maintenir la poignée et la surface de préhension secs et exempts de lubrifiant afin d'assurer un appui sûr.
5. S'assurer que les ouvertures d'aération (11) sont dégagées et ne sont pas obstruées. Le cas échéant, les nettoyer avec une brosse souple. Des aérations obstruées peuvent entraîner une surchauffe et endommager la machine.
6. Mettre immédiatement la machine hors tension et la débrancher de l'alimentation électrique si d'autres personnes pénètrent dans la zone de travail de manière inopportune pendant l'opération. Toujours attendre l'arrêt complet de la machine avant de la détourner.
7. Éviter le surmenage. Prendre des pauses régulières afin de pouvoir se concentrer efficacement sur le travail et maîtriser la machine.

Fonctionnement



AVERTISSEMENT ! NE PAS FAIRE FONCTIONNER LA MACHINE SANS ALIMENTATION EN EAU. LE FONCTIONNEMENT À SEC PEUT ENDOMMAGER LA MACHINE.

NE PAS TIRER EXCESSIVEMENT SUR LE TUYAU HAUTE PRESSION ET NE PAS DÉPLACER LE NETTOYEUR HAUTE PRESSION EN TIRANT SUR LE TUYAU, CAR CELA POURRAIT DÉSTABILISER LA MACHINE ET LA FAIRE BASCULER À TERRE.

NE PAS PLIER NI CONDUIRE UN VÉHICULE MOTORISÉ SUR LE TUYAU HAUTE PRESSION.

TENIR LE TUYAU HAUTE PRESSION À L'ÉCART DES ANGLES ET DES BORDS TRANCHANTS.

L'ACTIONNEMENT DE LA GÂCHETTE DU PISTOLET DE PULVÉRISATION ENTRAÎNE UN REcul DU PISTOLET ! PAR CONSÉQUENT, TOUJOURS TENIR LE PISTOLET DE PULVÉRISATION À DEUX MAINS !

VEILLER À ADOPTER UNE POSTURE SÛRE ! UNE MANIPULATION INCORRECTE PEUT ENTRAÎNER DES BLESSURES !



AVERTISSEMENT ! NE PAS UTILISER LA MACHINE LORSQUE LA TEMPÉRATURE AMBIANTE EST INFÉRIEURE À 0 °C. L'EAU GÈLE À L'INTÉRIEUR DE LA MACHINE ET L'ENDOMMAGE.

1. Monter une buse adaptée à l'application sur le pistolet de pulvérisation.
2. En cas d'utilisation de la buse variable (19), régler le type de jet requis.
3. Maintenir la buse à une distance suffisante de la surface à nettoyer afin de ne pas endommager la surface.
4. Tenir le pistolet de pulvérisation (15) à deux mains.
5. Mettre la machine en marche en tournant l'interrupteur rotatif marche / arrêt (3) pour le mettre en position « I ».
6. Diriger le pistolet vers le bas. Diriger la lance vers l'objet à nettoyer. S'assurer que la distance de travail est correcte.
7. Appuyer à fond sur la gâchette du pistolet de pulvérisation (15a) pour libérer le jet d'eau, comme illustré à la Fig. 18.
8. Déplacer lentement la lance vers l'avant de façon uniforme et contrôlée le long de la surface à nettoyer.



Fig. 18



AVERTISSEMENT ! FAIRE ATTENTION AU REcul LORSQUE LA GÂCHETTE DU PISTOLET DE PULVÉRISATION (15A) EST ACTIONNÉE !



REMARQUE : Toujours maintenir une distance raisonnable entre la buse et l'objet à nettoyer afin d'éviter tout dommage. Demander conseil à votre revendeur spécialisé si nécessaire.

9. Relâcher la gâchette du pistolet de pulvérisation (15a) pour arrêter le jet d'eau.

Conseils

Procédure de nettoyage recommandée

Éliminer la saleté en appliquant le détergent mélangé à de l'eau sur la surface lorsque celle-ci est encore sèche. Laisser le détergent reposer sur la surface pendant quelques minutes, mais ne pas le laisser sécher.

Sur les surfaces verticales, travailler du bas vers le haut. Rincer de bas en haut, utiliser le jet haute pression à une distance minimale de 30 cm à un angle de 45°, puis procéder de haut en bas.

Dans certains cas, il est nécessaire de frotter avec des brosses pour enlever la saleté. La haute pression n'est pas toujours la meilleure solution pour un lavage optimal, car elle peut endommager certaines surfaces. Le réglage de jet de buse le plus puissant ne doit pas être utilisé sur des pièces fragiles ou peintes, ni sur des composants sous pression (pneus, valves de gonflage, etc.).

L'efficacité du nettoyage dépend autant de la pression que du volume d'eau utilisé.

Commencer par pulvériser dans une zone de test dégagée, à l'écart de tout objet et de toute personne.

Nettoyage au détergent

Avec un nettoyeur haute pression, certaines tâches de nettoyage peuvent être effectuées uniquement à l'eau. Cependant, dans la plupart des applications, l'ajout d'un détergent peut s'avérer très utile. Un détergent permet à l'eau sous haute pression de pénétrer plus rapidement et d'éliminer la saleté plus efficacement.

La position basse pression permet de pulvériser délicatement le détergent. Cette position est également recommandée pour rincer une surface après l'application de cire ou pour d'autres tâches nécessitant une faible pression similaire à celle d'un tuyau d'arrosage. La position basse pression correspond au jet d'un tuyau d'arrosage réglé au débit le plus faible afin d'appliquer le détergent correctement.

Lors du nettoyage de surfaces verticales, pulvériser l'eau de bas en haut pour éliminer les saletés et le détergent. Ne pas laisser sécher

Rincer de haut en bas avec la buse à jet en éventail pour nettoyer la surface.

Circuit de refroidissement

Les ouvertures d'aération du nettoyeur haute pression doivent rester propres et dégagées afin de garantir un refroidissement correct du moteur pendant le fonctionnement. Ne jamais pulvériser d'eau directement sur le nettoyeur haute pression pour le nettoyer



AVERTISSEMENT ! EMPÊCHER TOUTE PÉNÉTRATION D'EAU DANS LES OUVERTURES D'AÉRATION DE LA MACHINE AFIN DE LIMITER LE RISQUE D'ENDOMMAGEMENT DE LA MACHINE ET DE RÉDUIRE LE RISQUE DE CHOC ÉLECTRIQUE POUR L'UTILISATEUR.

Terrasses en bois et en PVC.

Rincer la terrasse et les alentours à l'eau douce. En cas d'utilisation de détergent, raccorder la buse pour flacon de détergent (20) au pistolet de pulvérisation et pulvériser sur la zone à nettoyer à basse pression. Pour un résultat optimal, diviser la surface de travail en sections plus petites et nettoyer chaque section l'une après l'autre. Laisser le détergent agir sur la surface pendant quelques minutes, puis rincer à haute pression.

NE PAS LAISSER LE NETTOYANT SÉCHER. Toujours nettoyer de gauche à droite et de haut en bas pour de meilleurs résultats. Rincer à haute pression à l'aide du jet en éventail, en maintenant l'extrémité de la lance d'arrosage à au moins 15-25 cm de la surface à nettoyer.

Agrandir la distance par rapport à la zone à nettoyer lors de l'utilisation d'un jet direct.



ATTENTION ! SUR LES SURFACES EN BOIS TENDRE, AUGMENTER LA DISTANCE PAR RAPPORT À LA ZONE À NETTOYER.

Terrasses en ciment, pierre et brique

Rincer la zone à nettoyer et les alentours à l'eau douce. En cas d'utilisation de détergent, raccorder la buse pour flacon de détergent (20) au pistolet de pulvérisation et pulvériser sur la zone à nettoyer à basse pression. Rincer à haute pression à l'aide du jet en éventail en effectuant un mouvement de balayage, en maintenant l'extrémité de la lance d'arrosage à au moins 7-15 cm de la surface à nettoyer.

Agrandir la distance par rapport à la zone à nettoyer lors de l'utilisation d'un jet direct.

Voitures, bateaux et motos

Rincer la zone à nettoyer et les alentours à l'eau douce. En cas d'utilisation de détergent, raccorder la buse pour flacon de détergent (20) au pistolet de pulvérisation et pulvériser sur la zone à nettoyer à basse pression. Pour de meilleurs résultats, nettoyer un côté à la fois. Laisser le détergent reposer sur la surface pendant quelques minutes, mais ne pas le laisser sécher. Rincer à haute pression à l'aide du jet en éventail en effectuant un mouvement de balayage, en maintenant l'extrémité de la lance d'arrosage à au moins 20 cm de la surface à nettoyer.

Essuyer la surface pour obtenir une finition brillante.



AVERTISSEMENT ! NE JAMAIS UTILISER LE JET DIRECT POUR NETTOYER LES VÉHICULES À MOTEUR OU POUR EFFECTUER DES TRAVAUX DE PEINTURE SUR LES BATEAUX. NE PAS NETTOYER LE MOTEUR AVEC LE NETTOYEUR HAUTE PRESSION !

Barbecues, équipements électriques et outils de jardinage

Rincer la zone à nettoyer et les alentours à l'eau douce. En cas d'utilisation de détergent, raccorder la buse pour flacon de détergent (20) au pistolet de pulvérisation et pulvériser sur la zone à nettoyer à basse pression. Laisser le détergent reposer sur la surface pendant quelques minutes, mais ne pas le laisser sécher. Rincer à haute pression à l'aide du jet en éventail, en maintenant l'extrémité de la lance d'arrosage à au moins 8 cm de la surface à nettoyer. Agrandir la distance par rapport à la zone à nettoyer lors de l'utilisation d'un jet direct.

Après utilisation

1. Éteindre la machine, la débrancher et la laisser refroidir.
2. Libérer la pression à l'intérieur de la machine.
3. Contrôler, nettoyer et ranger la machine comme indiqué ci-dessous.
4. Débrancher le tuyau d'arrosage de la machine et de l'alimentation en eau.
5. Retirer le tuyau haute pression du pistolet de pulvérisation (15) et de la machine.
6. Vidanger toute l'eau résiduelle du tuyau haute pression (13).
7. Incliner le nettoyeur haute pression pour évacuer l'eau résiduelle.



AVERTISSEMENT ! L'EAU RESTANT DANS L'APPAREIL RISQUE DE GELER PENDANT L'HIVER, CE QUI POURRAIT ENDOMMAGER LA POMPE.

FR Entretien et maintenance

Les règles d'or de l'entretien



AVERTISSEMENT ! TOUJOURS METTRE LA MACHINE HORS TENSION, LA DÉBRANCHER DE L'ALIMENTATION ET LA LAISSER REFROIDIR AVANT D'EFFECTUER DES TRAVAUX D'INSPECTION, D'ENTRETIEN ET DE NETTOYAGE !



RESPECTER STRICTEMENT CES INSTRUCTIONS LORS DE L'ENTRETIEN ET DE LA MAINTENANCE. TOUTES LES AUTRES INTERVENTIONS DOIVENT ÊTRE EFFECTUÉES PAR UN SPÉCIALISTE QUALIFIÉ !

1. Maintenir la machine propre. Retirer les débris du produit après chaque utilisation et avant le rangement.
2. Un nettoyage régulier et approprié contribue à garantir une utilisation sûre, et prolonge la durée de vie de la machine.
3. Inspecter la machine avant chaque utilisation pour repérer les pièces usées et endommagées. Ne pas utiliser le produit si certaines pièces sont cassées ou usées.



AVERTISSEMENT ! RESPECTER STRICTEMENT CES INSTRUCTIONS LORS DES RÉPARATIONS ET DE L'ENTRETIEN ! TOUTES LES AUTRES INTERVENTIONS DOIVENT ÊTRE EFFECTUÉES PAR UN SPÉCIALISTE QUALIFIÉ !

Nettoyage général

1. Nettoyer la machine avec un chiffon humide et du savon au pH neutre. Utiliser une brosse pour les endroits difficiles à atteindre.
2. Nettoyer en particulier les ouvertures d'aération après chaque utilisation à l'aide d'un chiffon et d'une brosse.



REMARQUE : Ne pas utiliser de produits chimiques, alcalins, abrasifs ou autres détergents ou désinfectants agressifs pour nettoyer ce produit, car ils pourraient endommager ses surfaces.

3. Vérifier l'absence de dommages et de signes d'usure. Réparer les dommages conformément à cette notice ou emmener la machine dans un centre de réparation agréé avant de l'utiliser à nouveau.
4. Remplacer les deux joints toriques (Ø10) (24) du tuyau haute pression (13) et le joint torique (Ø12) (25) de l'adaptateur d'arrivée d'eau (22) si nécessaire.

Nettoyage de la buse

1. Déconnecter la buse (18/19/21) de la lance télescopique (16) ; déconnecter la buse pour flacon de détergent (20), la lance télescopique (16), la perche télescopique (17) du pistolet de pulvérisation (15) (Fig. 19).
2. Éliminer les dépôts de saleté de l'orifice de la buse à l'aide d'une aiguille (23) (Fig. 20).

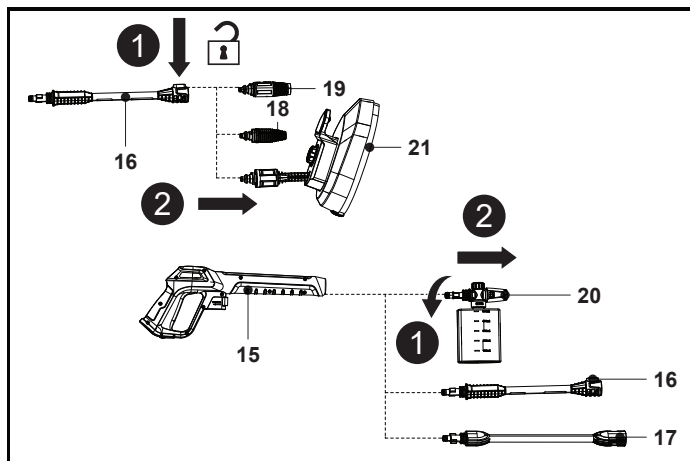


Fig. 19

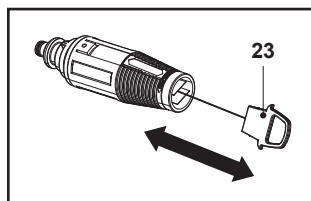


Fig. 20

Nettoyage du filtre

1. Retirer l'adaptateur d'arrivée d'eau (22) du raccord d'arrivée d'eau (12) (Fig. 21).
2. Retirer le filtre (12a) du raccord d'arrivée d'eau (12) et le rincer à l'eau du robinet pour éliminer tout corps étranger (Fig. 22). Réinstaller le filtre (12a).
3. Inspecter le filtre (12a) avant chaque utilisation et le nettoyer si nécessaire.

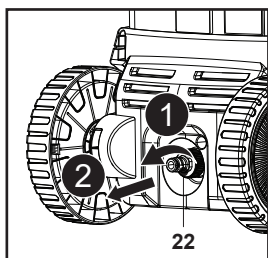


Fig. 21

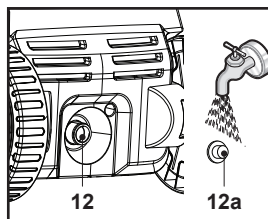


Fig. 22

Tuyau haute pression

Après utilisation du nettoyeur haute pression, le tuyau haute pression (13) doit être enroulé à l'arrière de l'appareil. Le sens d'enroulement doit être identique à celui d'origine.



REMARQUE : L'enroulement du tuyau haute pression dans le mauvais sens entraîne la rupture du tuyau.

Détartrage

De temps à autre, selon la nature de votre eau du robinet, des dépôts de calcaire se forment dans le produit et les accessoires. La taille des dépôts (et donc la fréquence du détartrage) dépend de la dureté de l'eau et de la fréquence d'utilisation du produit. Consulter le fournisseur d'eau pour connaître la dureté de l'eau dans votre région.



REMARQUE : Pour le détartrage, utiliser un mélange d'eau et d'acide citrique ou de vinaigre. Ces substances sont biodégradables et respectueuses de l'environnement !

1. Préparer une solution avec un volume de vinaigre approprié et deux volumes d'eau chaude (≤ 50 °C) dans un récipient adapté, par ex. un bol.
2. Déposer les accessoires amovibles dans la solution.
3. Laisser tremper les accessoires dans la solution pendant environ 12 heures.
4. Rincer les accessoires à l'eau claire.

Lubrification

Le nettoyeur haute pression est équipé d'un système de lubrification permanente. Il n'est pas nécessaire de vérifier ni de vidanger l'huile.



REMARQUE : Une petite fuite d'huile est normale.

Entretien

Avant et après chaque utilisation, vérifier le produit et les accessoires pour déceler la présence éventuelle d'usure et de dommages. Si nécessaire, les remplacer par des neufs comme décrit dans cette notice. Respecter les exigences techniques.

Cordon d'alimentation

Si le câble d'alimentation est endommagé, il doit être remplacé par le fabricant, son service après vente ou des personnes de qualification similaire afin d'éviter un danger.

Pièces détachées / Pièces de rechange

Les pièces suivantes de ce produit peuvent être remplacées par l'utilisateur. Il est possible de se procurer les pièces de rechange auprès d'un revendeur agréé ou de notre service clientèle.

Description	Numéro de modèle ou de série
Pistolet de pulvérisation (15)	Pistolet YLG22
Lance télescopique (16)	Lance télescopique YLG22
Perche télescopique (17)	Perche télescopique pour brosse de nettoyage pour terrasse
Buse turbo (18)	Buse turbo YLG21
Buse variable (19)	Buse variable YLG21
Buse pour flacon de détergent (20)	Buse à jet de mousse YLG204
Brosse de nettoyage pour terrasse (21)	Brosse de nettoyage pour terrasse YLS12
Adaptateur d'arrivée d'eau (22)	Adaptateur d'arrivée d'eau noir court

Réparation

Cette machine ne contient aucune pièce pouvant être réparée par l'utilisateur. Contacter un centre de réparation agréé ou une personne qualifiée afin de le faire vérifier et réparer.

Rangement

1. Éteindre la machine et la débrancher de l'alimentation électrique.
2. Nettoyer la machine comme décrit ci-dessus.
3. Ranger la machine et ses accessoires dans un endroit sombre, sec, bien ventilé et à l'abri du gel.
4. Toujours ranger la machine dans un endroit inaccessible aux enfants. La température de stockage idéale est comprise entre 10 et 30 °C.
5. Nous conseillons d'utiliser l'emballage d'origine pour ranger la machine ou de la couvrir avec une housse appropriée afin de la protéger contre la poussière.

Transport

1. Avant de la transporter, mettre la machine hors tension et débrancher la prise de l'alimentation.
2. Enrouler le cordon d'alimentation (5) autour des deux ancrages de cordon (4) et le fixer à l'aide d'un serre-câble (5a) fourni (Fig. 23).
3. Enrouler le tuyau haute pression (13) et ranger le pistolet de pulvérisation (15), la lance télescopique (16), la buse pour flacon de détergent (20) et la buse (18/19) (Fig. 24).
4. Toujours transporter la machine à l'aide de la poignée de transport (1) et des roues arrière (8).
5. Protéger la machine de tout choc violent ou de toute vibration importante susceptible de se produire lors du transport dans un véhicule.
6. Attacher la machine pour l'empêcher de glisser ou de tomber sous peine d'entraîner des dommages et des blessures.

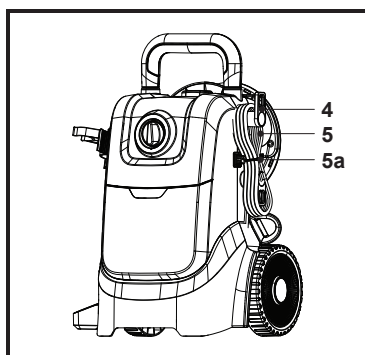


Fig. 23

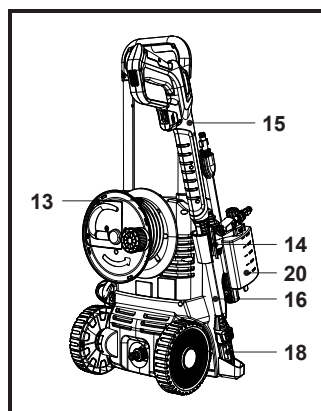


Fig. 24

Dépannage

Les dysfonctionnements soupçonnés sont souvent dus à des causes que les utilisateurs peuvent traiter eux-mêmes. Par conséquent, vérifier le produit à l'aide de cette section. Dans la plupart des cas, le problème peut être résolu rapidement.



AVERTISSEMENT ! EFFECTUER UNIQUEMENT LES ÉTAPES DÉCRITES DANS CES INSTRUCTIONS ! SI LE PROBLÈME PERSISTE, CONFIER TOUTE OPÉRATION PLUS POUSSÉE D'INSPECTION, D'ENTRETIEN ET DE RÉPARATION À UN CENTRE DE RÉPARATION AGRÉÉ OU À UN SPÉCIALISTE QUALIFIÉ !

Problème	Cause possible	Solution
1. Le produit ne démarre pas	1.1. Il n'est pas connecté à l'alimentation 1.2. Le cordon d'alimentation ou la prise présente un défaut 1.3. Autre défaillance électrique du produit	1.1. Connecter le produit à l'alimentation 1.2. Faire vérifier par un électricien spécialisé 1.3. Faire vérifier par un électricien spécialisé
2. La pompe n'atteint pas sa pleine puissance	2.1. La rallonge n'est pas adaptée pour une utilisation avec ce produit 2.2. La tension de la source d'alimentation (par exemple, un générateur) est trop basse 2.3. Les ouvertures d'aération sont obstruées 2.4. La buse est usée 2.5. Le filtre est obstrué 2.6. La pression d'alimentation en eau est faible 2.7. De l'air est aspiré dans le système 2.8. Il y a de l'air dans la pompe 2.9. La buse variable n'est pas positionnée correctement	2.1. Utiliser une rallonge adaptée 2.2. Se connecter à une autre source d'alimentation 2.3. Nettoyer les ouvertures d'aération 2.4. Remplacer la buse 2.5. Nettoyer le filtre de l'adaptateur d'arrivée d'eau 2.6. Ouvrir complètement le robinet d'eau 2.7. Vérifier le serrage des raccords de tuyau 2.8. Éteindre la machine, puis appuyer sur la gâchette du pistolet et la relâcher jusqu'à ce que l'eau sorte à un débit régulier. Remettre la machine en marche. 2.9. Faire tourner la buse variable pour passer du mode Spray au mode Jet
3. La pression chute pendant l'utilisation	3.1. L'eau provient d'un réservoir d'eau externe 3.2. La température de l'eau d'arrivée est trop élevée 3.3. La buse est obstruée 3.4. Le filtre d'entrée est sale	3.1. Raccorder la machine à l'alimentation en eau du réseau 3.2. Diminuer la température de l'eau 3.3. Nettoyer la buse 3.4. Nettoyer le filtre de l'adaptateur d'arrivée d'eau
4. Fortes fluctuations de pression	4.1. La pression d'alimentation en eau est trop faible 4.2. Le filtre d'entrée est sale 4.3. De l'air est aspiré dans le système	4.1. Ouvrir complètement le robinet d'eau 4.2. Nettoyer le filtre de l'adaptateur d'arrivée d'eau 4.3. Vérifier le serrage des raccords de tuyau
5. Fuite d'eau de la machine	5.1. Le joint est usé	5.1. Faire remplacer le joint

Problème	Cause possible	Solution
6. Vibrations ou bruits excessifs	6.1. Pression d'alimentation en eau faible	6.1. Ouvrir complètement le robinet d'eau
	6.2. Problèmes de moteur	6.2. Faire vérifier par un électricien spécialisé
	6.3. Vis et écrous desserrés	6.3. Serrer les vis et les écrous

Recyclage et mise au rebut



Ce symbole est connu sous le nom de « poubelle barrée ». Lorsque ce symbole est présent sur un produit ou une pile/batterie, cela signifie qu'il ne doit pas être jeté avec les déchets ménagers. Certaines substances chimiques contenues dans les produits électriques/électroniques ou les piles/batteries peuvent nuire à la santé et à l'environnement. Mettre au rebut les articles électriques ou électroniques, ainsi que les piles/batteries, uniquement dans des systèmes de collecte séparés, qui permettent de récupérer et de recycler les matériaux contenus à l'intérieur. Le respect de ces consignes est essentiel pour assurer le succès de ces systèmes et protéger l'environnement.

Le produit est livré dans un emballage qui le protège contre les dommages pendant l'expédition. Conserver l'emballage le temps de vérifier que toutes les pièces ont bien été livrées et que le produit fonctionne correctement. Recycler l'emballage par la suite.

Garantie

Nous veillons tout particulièrement à sélectionner des matériaux de haute qualité et à utiliser des techniques de fabrication qui nous permettent de créer des produits à la fois design et durables. Ce produit bénéficie d'une garantie fabricant de 2 ans couvrant les défauts de fabrication à compter de la date d'achat (en cas d'achat en magasin) ou de la date de livraison (en cas d'achat sur Internet), sans coût supplémentaire pour une utilisation domestique normale (non commerciale ni professionnelle).

Pour déposer une réclamation au titre de cette garantie, vous devez présenter votre preuve d'achat (ticket de caisse, facture d'achat ou toute autre preuve recevable en vertu de la loi en vigueur). Conservez votre preuve d'achat dans un endroit sûr. Pour que cette garantie soit applicable, le produit que vous avez acheté doit être neuf. La garantie ne s'applique pas aux produits d'occasion ou aux modèles d'exposition. Sauf indication contraire prévue par la loi en vigueur, tout produit de remplacement fourni au titre de la présente garantie ne sera garanti que jusqu'à expiration de la période de garantie initiale.

Cette garantie couvre les défaillances et dysfonctionnements du produit, sous réserve que le produit ait été utilisé conformément à l'usage pour lequel il a été conçu, qu'il ait été installé, nettoyé et entretenu conformément aux informations contenues dans les présentes conditions générales ainsi que dans le manuel d'utilisation, et conformément à la pratique, sous réserve que celles-ci n'aillent pas à l'encontre du manuel d'utilisation.

Cette garantie ne couvre pas les défauts et dommages causés par l'usure normale ni les dommages pouvant résulter d'une utilisation non conforme, d'une installation ou d'un assemblage défectueux, ou d'une négligence, d'un accident, d'une mauvaise utilisation ou d'une modification du produit. Sauf indication contraire prévue par la loi en vigueur, cette garantie ne couvre en aucun cas les coûts accessoires (expédition, transport, frais de désinstallation et réinstallation, main d'œuvre, etc.), ni les dommages directs et indirects.

La présente garantie ne couvre pas les défauts ou dommages causés par ou résultant de :

- Usure normale, y compris l'usure des accessoires
- Utilisation excessive ou abusive, négligence
- Réparation tentée par une personne autre qu'un agent autorisé
- Dommages esthétiques
- Dommages causés par des substances ou objets étrangers, ou par des accidents
- Dommages ou modifications accidentels
- Non-respect des instructions du fabricant
- Perte d'usage des biens

Si le produit est défectueux, nous nous engageons, dans un délai raisonnable, à réparer, remplacer, rembourser, réviser ou fournir les pièces de rechange.

Cette garantie est valable dans le pays où vous avez acheté ce produit. Toute demande au titre de la garantie doit être adressée au magasin où vous avez acheté ce produit.

Cette garantie s'ajoute à vos droits au titre de la loi, sans les affecter.

Si vous avez acheté ce produit en France, en plus de cette garantie commerciale, le vendeur reste tenu de respecter la garantie légale de conformité prévue par les articles L217-4 à L217-14 du Code de la consommation et aux articles qui concernent les vices cachés de la chose vendue dans les conditions prévues aux articles 1641 à 1648 et 2232 du Code civil. Le distributeur auprès duquel vous avez acheté ce produit répond de tout défaut de conformité ou vice caché du produit, conformément aux présentes dispositions.

En vertu de l'article L217-16 du Code de la consommation, lorsque l'acheteur demande au vendeur, pendant la durée de la garantie commerciale qui lui a été consentie lors de l'acquisition ou de la réparation d'un bien meuble, une remise en état couverte par la garantie, toute période d'immobilisation d'au moins sept jours vient s'ajouter à la durée de la garantie qui reste à courir. Cette période court à compter de la demande d'intervention de l'acheteur ou de la mise à disposition pour réparation du bien en cause, si cette mise à disposition est postérieure à la demande d'intervention. Garantie légale de conformité (extrait du Code de la consommation) : Article L217-4 du Code de la consommation - Le vendeur doit livrer un bien conforme au contrat et répond des défauts de conformité existant lors de la livraison. Il répond également des défauts de conformité résultant de l'emballage, des instructions de montage ou de l'installation lorsque celle-ci a été mise à sa charge par le contrat ou a été réalisée sous sa responsabilité. Article L217-5 du Code de la consommation - Le bien est conforme au contrat : 1. S'il est adapté à l'objectif généralement prévu pour des biens similaires et, le cas échéant : s'il correspond à la description donnée par le vendeur et possède les qualités présentées par le vendeur à l'acheteur sous forme d'échantillon ou de modèle ; s'il présente des qualités que l'acheteur peut légitimement attendre au regard des déclarations publiques faites par le vendeur, par le fabricant ou par son représentant, notamment dans la publicité ou l'étiquetage ; 2. Ou s'il présente les caractéristiques définies d'un commun accord par les parties ou est propre à tout usage spécial recherché par l'acheteur, porté à la connaissance du vendeur et que ce dernier a accepté. Article L217-12 du Code de la consommation - Toute réclamation suite à un défaut de conformité est limitée à deux ans à compter de la livraison du bien. Garantie légale sur les vices cachés (extrait du Code de la consommation) : Article 1641 du Code civil - Le vendeur est tenu de la garantie en cas de défauts cachés de la chose vendue qui la rendent impropre à l'usage auquel on la destine, ou qui diminuent tellement cet usage que l'acheteur ne l'aurait pas acquise, ou n'en aurait donné qu'un moindre prix, s'il les avait connus. Article 1648 du Code civil (alinéa 1) - Toute réclamation résultant de vices cachés doit être faite par l'acheteur dans un délai de deux ans à compter de la découverte du vice.

**IMPORTANT – A CONSERVER POUR DE
FUTURS BESOINS DE REFERENCE :
A LIRE SOIGNEUSEMENT**



(EN) EU DECLARATION OF CONFORMITY
(FR) DÉCLARATION UE DE CONFORMITÉ
(PL) DEKLARACJA ZGODNOŚCI UE
(RO) DECLARAȚIA DE CONFORMITATE UE
(ES) DECLARACIÓN UE DE CONFORMIDAD
(PT) DECLARAÇÃO DE CONFORMIDADE UE

Product/Produit/Produkt/Produsul/Producto/Produto

- Electric high pressure washer 2200 W / Nettoyeur haute pression électrique 2200 W / Myjka ciśnieniowa elektryczna 2200 W / Aparat electric de spălat cu presiune de 2 200 W / Hidrolimpiadora eléctrica de 2200 W / Lavadora elétrica de alta pressão 2200 W
- MCB1286PRW / TTB1288PRW
- SN: 000001-999999

Name and address of the manufacturer or his authorised representative:

Nom et adresse du fabricant ou de son mandataire:

Nazwa i adres producenta lub jego upoważnionego przedstawiciela:

Denumirea și adresa producătorului sau a reprezentantului său autorizat:

Nombre y dirección del fabricante o de su representante autorizado:

Nome e endereço do fabricante ou do respetivo mandatário:

Kingfisher International Products B.V.,
Rapenburgerstraat 175E,
1011 VM Amsterdam,
The Netherlands

This declaration of conformity is issued under the sole responsibility of the manufacturer.

La présente déclaration de conformité est établie sous la seule responsabilité du fabricant.

Niniejsza deklaracja zgodności wydana zostaje na wyłączną odpowiedzialność producenta.

Prezenta declarație de conformitate este emisă pe răspunderea exclusivă a producătorului.

La presente declaración de conformidad se expide bajo la exclusiva responsabilidad del fabricante.

A presente declaração de conformidade é emitida sob a exclusiva responsabilidade do fabricante.

Object of the declaration/Objet de la declaration/Przedmiot deklaracji/Obiectul declarației/Objeto de la declaración/Objeto da declaração

Product/Produit/Produkt/Produsul/Producto/Produto	Model/Modèle/Model/Modelul/Modelo/Modelo	EAN
Electric high pressure washer 2200 W / Nettoyeur haute pression électrique 2200 W / Myjka ciśnieniowa elektryczna 2200 W / Aparat electric de spălat cu presiune de 2 200 W / Hidrolimpiadora eléctrica de 2200 W / Lavadora elétrica de alta pressão 2200 W	MCB1286PRW / TTB1288PRW	5063022719553 5063022719492 5063022719591 5063022719614

The object of the declaration described above is in conformity with the relevant Union harmonisation legislation:

L'objet de la déclaration décrit ci-dessus est conforme à la législation d'harmonisation de l'Union applicable:

Wymieniony powyżej przedmiot niniejszej deklaracji jest zgodny z odnośnymi wymaganiami unijnego prawodawstwa harmonizacyjnego:

Obiectul declarației descris mai sus este în conformitate cu legislația relevantă de armonizare a Uniunii:

El objeto de la declaración descrita anteriormente es conforme con la legislación de armonización pertinente de la Unión:

O objeto da declaração acima descrito está em conformidade com a legislação de harmonização da União aplicável:

2006/42/EC as amended Machinery Directive
2014/30/EU as amended Directive Electromagnetic compatibility
2011/65/EU, (EU) 2015/863 as amended Directive Restriction of the use of certain hazardous substances in electrical and electronic equipment
2012/19/EU as amended Waste Electrical and Electronic Equipment (WEEE)
Regulation (EC) No 1907/2006, concerning the Registration, Evaluation, Authorization and Restriction of Chemicals (REACH)

References to the relevant harmonised standards used or references to the other technical specifications in relation to which conformity is declared:

Références des normes harmonisées pertinentes appliquées, y compris la date de celles-ci, ou des autres spécifications techniques, y compris la date de celles-ci, par rapport auxquelles la conformité est déclarée: Odwołania do odnośnych norm zharmonizowanych, które zastosowano, wraz z datą normy, lub do innych specyfikacji technicznych, wraz z datą specyfikacji, w odniesieniu do których deklarowana jest zgodność:

Trimiteri la standardele armonizate relevante folosite, inclusiv data standardului, sau trimiteri la celelalte specificații tehnice, inclusiv data specificațiilor, în legătură cu care se declară conformitatea:

Referencias a las normas armonizadas pertinentes utilizadas, incluidas las fechas de las normas, o referencias a las otras especificaciones técnicas, incluidas las fechas de las especificaciones, respecto a las cuales se declara la conformidad:

Referências às normas harmonizadas aplicáveis utilizadas, incluindo a data da norma, ou às outras especificações técnicas, incluindo a data da especificação, em relação às quais é declarada a conformidade:

EN 60335-1:2012+A11:2014+A13:2017+A1:2019+A2:2019+A14:2019+A15:2021+A16:2023

EN 60335-2-79:2012

EN 62233:2008

EN IEC 55014-1:2021

EN IEC 55014-2:2021

EN IEC 61000-3-2:2019+A1:2021+A2:2024

EN IEC 61000-3-11:2019

Authorised signatory and technical file holder/signataire et responsable de la documentation technique autorisé/podmiot uprawniony do wystawienia i adres przechowywania dokumentacji technicznej/semnatar autorizat și deținător al dosarului tehnic/firmante autorizado y titular del expediente técnico/signatário autorizado e detentor da ficha técnica

Kingfisher International Products B.V.,
Rapenburgerstraat 175E,
1011 VM Amsterdam,
The Netherlands



David Awe
Group Quality & Sustainability Director

: [04/30/2022]



ÉLÉMENTS D'EMBALLAGE
À SÉPARER + NOTICE À
DÉPOSER DANS LE BAC
DE TRI



FR
Cet appareil
et sa batterie
se recyclent

REPRISE
À LA LIVRAISON



À DÉPOSER
EN MAGASIN



À DÉPOSER
EN DÉCHÈTERIE



Points de collecte sur www.quefairedemesdechets.fr
Privilégiez la réparation ou le don de votre appareil !

Fabricant:

EU Manufacturer:

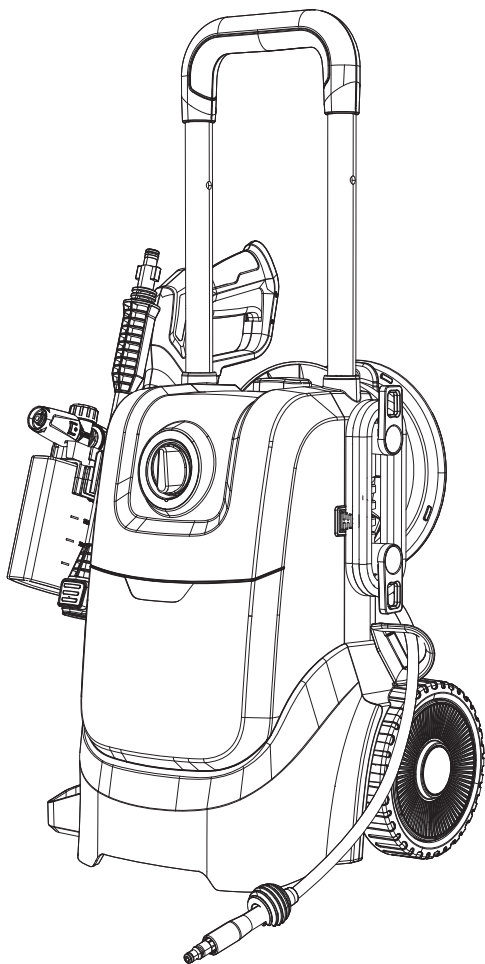
Kingfisher International Products B.V.,
Rapenburgerstraat 175E,
1011 VM Amsterdam,
The Netherlands

FR www.castorama.fr

www.bricodepot.fr

www.screwfix.fr

**Pour consulter les manuels d'instructions en
ligne, rendez-vous sur le site
www.kingfisher.com/products**



PL INSTRUKCJE ORIGINALNE

WAŻNE — Niniejsza instrukcja została opracowana w celu zapewnienia bezpieczeństwa użytkownikowi. Należy dokładnie ją przeczytać przed rozpoczęciem użytkowania produktu i zachować do wglądu w przyszłości.

UWAGA: Przed rozpoczęciem korzystania z maszyny należy zapoznać się z instrukcją!



MCB1286PRW

5063022719553

5063022719492

TTB1288PRW

5063022719591

5063022719614

V11025_5063022719553_MAND4_2425_RP0539

PL Części



01. x1



02. x1



03. x1



04. x1



05. x1



06. x1



07. x1



08. x1



09. x1



10. x1



11. x1



12. x1



13. x1



14. x3
(Ø5,1 x 1,8, x2)
(Ø11,5 x 2,5, x1)



15. x1
(ST3,5 x 13)



16. x2
(ST4,8 x 16)
(ST4,8 x 16 z dużą
główką śruby)



17. x1

PL Potrzebne będą



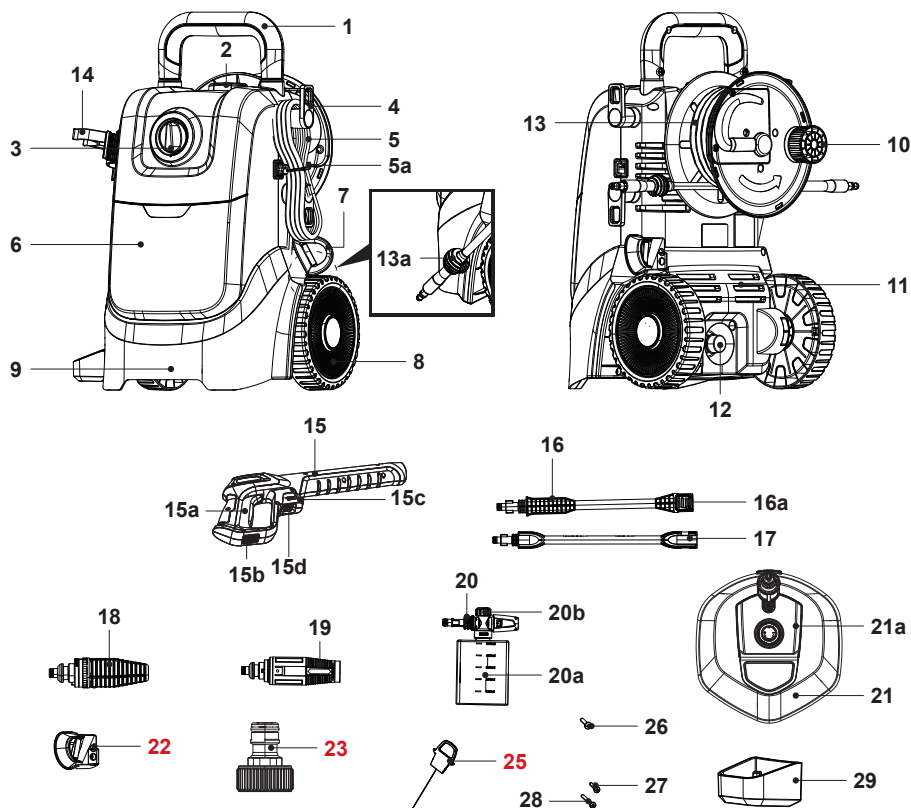
(elementy nienależące do zestawu)

- Odpowiednie środki ochrony indywidualnej
- Odpowiedni przedłużacz do użytku na zewnątrz
- Wąż ogrodowy ze złączką i filtrem
- Odpowiedni detergent
- Odpowiedni wkrętak krzyżakowy

PL Będziesz potrzebować

PL	
Opis produktu	3
Bezpieczeństwo	4
Przygotowanie	15
Montaż	16
Funkcje i ustawienia	22
Użytkowanie	27
Czyszczenie i konserwacja	31
Gwarancja	37
Deklaracja zgodności	38

PL Opis produktu



- | | | |
|--|--------------------------|--|
| 1. Uchwyt transportowy | 13. Wąż ciśnieniowy | 20. Dysza z butelką na detergent |
| 2. Przycisk blokady uchwytu | a. Pierścień mocujący | a. Butelka |
| 3. Przełącznik obrotowy wł./wył. (I/O) | 14. Wieszak | b. Pokrętko regulacji mydła |
| 4. Hak przewodu (x2) | 15. Pistolet natryskowy | 21. Szczotka do tarasów |
| 5. Przewód zasilania z wtyczką | a. Spust | a. Pokrętko regulacji przepływu |
| a. Zaczep przewodu | b. Blokada spustu | 22. Adapter przyłącza wody |
| 6. Obudowa silnika | c. Złączka do węża | 23. Igła |
| 7. Prowadnica węża | d. Złączka do węża | 24. Pierścień O-ring (Ø5,1 x 1,8) (x2) |
| 8. Koło tylne (x2) | 16. Łanca przedłużająca | 25. Pierścień O-ring (Ø11,5 x 2,5) |
| 9. Przednia nóżka (x2) | a. Przycisk blokady | 26. Śruba (ST3,5 x 13) |
| 10. Pokrętko bębna | 17. Drażek przedłużający | 27. Śruba (ST4,8 x 16) |
| 11. Otwory wentylacyjne | 18. Dysza turbo | 28. Śruba (ST4,8 x 16 z dużą główką śruby) |
| 12. Przyłącze wlotu wody | 19. Dysza wielofunkcyjna | 29. Uchwyt na broń |



Ogólne ostrzeżenia dotyczące bezpieczeństwa użytkownika maszyny



OSTRZEŻENIE! NALEŻY ZAPOZNAĆ SIĘ ZE WSZYSTKIMI OSTRZEŻENIAMI DOTYCZĄCYMI BEZPIECZEŃSTWA, INSTRUKCJAMI, ILUSTRACJAMI I DANYMI TECHNICZNYMI DOŁĄCZONYMI DO TEGO ELEKTRONARZĘDZIA. NIEPRZESTRZEGANIE WSZYSTKICH PONIŻSZYCH INSTRUKCJI MOŻE DOPROWADZIĆ DO PORAŻENIA PRĄDEM, WYBUCHU POŻARU LUB POWSTANIA POWAŻNYCH OBRAŻEŃ.

NALEŻY ZACHOWAĆ WSZYSTKIE OSTRZEŻENIA I INSTRUKCJE DO WGLĄDU W PRZYSZŁOŚCI.

TERMIN „ELEKTRONARZĘDZIE” W OSTRZEŻENIACH ODNOSI SIĘ DO ELEKTRONARZĘDZIA ZASILANEGO PRĄDEM Z SIECI ELEKTRYCZNEJ (PRZEWODOWEGO) LUB ELEKTRONARZĘDZIA Z ZASILANIEM AKUMULATOROWYM (BEZPRZEWODOWEGO).

Bezpieczeństwo w miejscu pracy

- **Miejsce pracy powinno być czyste i dobrze oświetlone.** Nieporządek oraz słabe oświetlenie sprzyjają wypadkom.
- **Nie należy obsługiwać maszyn w środowisku zagrożonym wybuchem, np.** w obecności łatwopalnych cieczy, gazów lub pyłów. Maszyny wytwarzają iskry, które mogą spowodować zapłon pyłu lub oparów.
- **Nie zezwalać na przebywanie dzieci i osób postronnych w pobliżu pracującej maszyny.** Czynniki rozpraszające uwagę mogą spowodować utratę kontroli przez użytkownika.

Bezpieczeństwo elektryczne

- **Wtyczki przewodów maszyny muszą pasować do gniazd zasilających. Nie wolno w żaden sposób przerabiać wtyczki. Do zasilania maszyn, które są uziemione, nie wolno używać żadnych adapterów (przejsiówek).** Oryginalne wtyczki i pasujące gniazda zmniejszają ryzyko porażenia prądem elektrycznym.
- **Należy unikać kontaktu ciała z uziemionymi powierzchniami, takimi jak rury, grzejniki, kuchenki i lodówki.** Jeśli ciało użytkownika jest uziemione, istnieje większe ryzyko porażenia prądem.
- **Nie nadwyręzać przewodu elektrycznego. Nie wolno używać przewodu zasilania do przenoszenia, ciągnięcia ani odłączania maszyny od sieci. Przewód zasilania trzymać z dala od źródeł ciepła, oleju, ostrych krawędzi i ruchomych części maszyn.** Uszkodzenie lub zaplątanie przewodów zwiększa ryzyko porażenia prądem.
- **Podczas korzystania z maszyny na zewnątrz należy korzystać z przedłużacza przystosowanego do użytku na zewnątrz.** Użycie odpowiedniego przedłużacza podczas pracy na zewnątrz zmniejsza ryzyko porażenia prądem.
- **Jeśli nie można uniknąć pracy z maszyną w wilgotnym miejscu, należy korzystać ze źródła zasilania wyposażonego w wyłącznik różnicowoprądowy (RCD).** Użycie RCD zmniejsza ryzyko porażenia prądem elektrycznym.

Dodatkowe ostrzeżenia dotyczące bezpieczeństwa korzystania z myjki ciśnieniowej:

- Maszyna może być obsługiwana przez osoby o ograniczonej sprawności fizycznej, sensorycznej lub umysłowej oraz osoby nieposiadające wystarczającego doświadczenia bądź wiedzy, o ile są one świadome związanych z tym zagrożeń. Osoby te muszą być nadzorowane lub zostać poinstruowane o zasadach użytkowania maszyny w sposób bezpieczny.
- Maszyny nie mogą być obsługiwane przez dzieci.
- Nie wolno dopuszczać, aby dzieci bawiły się urządzeniem.

- Należy regularnie sprawdzać przewód zasilania pod kątem uszkodzeń. Jeśli przewód zasilania jest uszkodzony, powinien on ze względów bezpieczeństwa zostać wymieniony przez producenta, przedstawiciela serwisowego lub inną osobę o odpowiednich kwalifikacjach.
- Podczas pracy należy stosować odpowiednie środki ochrony indywidualnej (ŚOI), np. buty robocze bezpieczne, rękawice ochronne, kaski ochronne z osłoną twarzy, ochronniki słuchu itp.



OSTRZEŻENIE! KORZYSTANIE Z NIEODPOWIEDNIEGO PRZEDŁUŻACZA MOŻE BYĆ NIEBEZPIECZNE. JEŚLI UŻYWANY JEST PRZEDŁUŻACZ, POWINIEN BYĆ ON PRZEZNACZONY DO UŻYTKU NA ZEWNĄTRZ, A MIEJSCE POŁĄCZENIA MUSI BYĆ SUCHE I NIE MOŻE ZNAJDOWAĆ SIĘ NA ZIEMI. ZALECA SIĘ WYKORZYSTANIE W TYM CELU PRZEDŁUŻACZA BĘBNOWEGO, W KTÓRYM GNIAZDO ZNAJDUJE SIĘ CO NAJMNIEJ 60 MM NAD ZIEMIĄ.



OSTRZEŻENIE! PRZED PRZYSTĄPIENIEM DO CZYSZCZENIA, KONSERWACJI, WYMIANY CZĘŚCI LUB PRZEŁĄCZENIA FUNKCJI MASZYNY NALEŻY WYJĄĆ WTYCZKĘ PRZEWODU ZASILANIA Z GNIAZDA I ODŁĄCZYĆ MASZYNĘ OD ŹRÓDŁA ZASILANIA.

- Nie dotykać wtyczki ani gniazda mokrymi rękami. Podłączenie zasilania elektrycznego powinno zostać wykonane przez wykwalifikowanego elektryka i być zgodne z normą IEC 60364-1. Zaleca się, aby obwód elektryczny wykorzystywany do zasilania tej maszyny był wyposażony w wyłącznik różnicowoprądowy, który odłączy zasilanie, jeśli wartość natężenia prądu upływowego przekroczy 30 mA przez 30 ms, lub w urządzenie uziemiające.



OSTRZEŻENIE! PRZED POZOSTAWIENIEM MASZYNY BEZ NADZORU NALEŻY ODŁĄCZYĆ JĄ OD ZASILANIA ZA POMOCĄ WYŁĄCZNIKA SIECIOWEGO.

- Nie wolno przenosić myjki ciśnieniowej, trzymając ją za przewód. Nie ciągnąć za przewód w celu odłączenia go od gniazda zasilania.



OSTRZEŻENIE! PODCZAS KORZYSTANIA Z MYJKI CIŚNIENIOWEJ MOGĄ POWSTAWAĆ AEROZOLE. WDYCHANIE AEROZOLI MOŻE BYĆ NIEBEZPIECZNE DLA ZDROWIA.



OSTRZEŻENIE! OBRAŻENIA CIAŁA SPOWODOWANE STRUMIENIEM POD WYSOKIM CIŚNIENIEM SĄ UZNAWANE ZA NAGŁE PRZYPADKI. W RAZIE WYSTĄPIENIA OBRAŻEŃ CIAŁA SPOWODOWANYCH STRUMIENIEM POD WYSOKIM CIŚNIENIEM NALEŻY NATYCHMIAST ZASIĘGNAĆ PORADY LEKARZA.



OSTRZEŻENIE! NIE WOLNO UŻYWAĆ MYJEK CIŚNIENIOWYCH NA MATERIAŁACH ZAWIERAJĄCYCH AZBEST (DACHACH POKRYTYCH ETERNITEM, OGRODZENIACH, ŚCIANACH ITP.). MOŻE DOJŚĆ DO UWOLNIENIA DUŻEJ ILOŚCI WŁÓKIEN AZBESTU, CO STWARZA POWAŻNE ZAGROŻENIE DLA ZDROWIA. W PRZYPADKU BRAKU PEWNOŚCI CO DO RODZAJU CZYSZCZONYCH MATERIAŁÓW ZALECANE JEST SKONTAKTOWANIE SIĘ Z WŁADZAMI LOKALNYMI LUB CENTRALNYMI.



OSTRZEŻENIE! MYJEK CIŚNIENIOWYCH NIE MOGĄ OBSŁUGIWAĆ DZIECI ANI OSOBY BEZ ODPOWIEDNIEGO PRZESZKOLENIA.

- Nieprawidłowa obsługa pistoletu / lancy może skutkować odniesieniem obrażeń przez użytkownika i inne osoby lub uszkodzeniem mienia. Siła strumienia może doprowadzić do nagłego ruchu pistoletu / lancy, co stwarza ryzyko utraty równowagi przez operatora i upadku lub przypadkowego skierowania strumienia w niewłaściwą stronę.



OSTRZEŻENIE! NALEŻY ZAPOZNAĆ SIĘ Z OBSŁUGĄ I ELEMENTAMI STERUJĄCYMI MYJKI CIŚNIENIOWEJ. NIE UŻYWAĆ URZĄDZENIA, JEŚLI PRZEWÓD ZASILANIA LUB INNE WAŻNE CZĘŚCI URZĄDZENIA, NP. MECHANIZMY ZABEZPIECZAJĄCE, WĘŻE CIŚNIENIOWE LUB PISTOLET SĄ USZKODZONE.

- Nie wolno modyfikować ani usuwać zabezpieczeń urządzenia. Nie obsługiwać urządzenia z brakującymi, uszkodzonymi lub nieautoryzowanymi częściami.
- Nie wolno pozostawiać lancy bez nadzoru, gdy urządzenie pracuje.
- Nie wolno skręcać ani nie zginać węża ciśnieniowego, ponieważ może to doprowadzić do jego uszkodzenia.
- Obszar roboczy powinien być wolny od przeszkód.
- Operator powinien stać na stabilnej powierzchni i pewnie trzymać pistolet / lancę obiema rękami. Wysokie ciśnienie może doprowadzić do odbicia przedmiotów. W razie potrzeby należy nosić odpowiednie środki ochrony indywidualnej, takie jak gogle ochronne.

- Opony / wentyle pojazdu mogą być czyszczone wyłącznie przy zachowaniu odległości co najmniej 30 cm, aby uniknąć uszkodzeń spowodowanych przez strumień pod wysokim ciśnieniem. Na uszkodzenie jako pierwsze wskazuje odbarwienie opony. Uszkodzone opony / wentyle pojazdu stwarzają zagrożenie dla życia.



OSTRZEŻENIE! ZAGROŻENIE WYBUCEM —
NIE ROZPYLAĆ ŁATWOPALNYCH CIECZY,
TAKICH JAK BENZYNA, OLEJ OPAŁOWY,
NAFTA, ROZPUSZCZALNIKI CZY
ROZCIĘNCZALNIKI. NIEZASTOSOWANIE SIĘ
DO TEGO OSTRZEŻENIA MOŻE SKUTKOWAĆ
POWAŻNYMI OBRAŻENIAMI CIAŁA, ŚMIERCIĄ
I / LUB USZKODZENIEM MIENIA.



OSTRZEŻENIE! MASZYNA JEST
PRZEZNACZONA DO UŻYTKU ZE ŚRODKIEM
CZYSZCZĄCYM DOSTARCZONYM LUB
ZALECANYM PRZEZ PRODUCENTA.
STOSOWANIE INNYCH ŚRODKÓW
CZYSZCZĄCYCH LUB SUBSTANCJI
CHEMICZNYCH MOŻE MIEĆ NIEKORZYSTNY
WPŁYW NA BEZPIECZEŃSTWO UŻYTKOWANIA
MASZYNY.



OSTRZEŻENIE! NIE NALEŻY UŻYWAĆ
URZĄDZENIA, GDY W POBLIŻU ZNAJDUJĄ SIĘ
INNE OSOBY, O ILE NIE SĄ ONE UBRANE W
ODZIEŻ OCHRONNĄ.



OSTRZEŻENIE! STRUMIENIE WODY POD WYSOKIM CIŚNIENIEM MOGĄ BYĆ NIEBEZPIECZNE W PRZYPADKU NIEPRAWIDŁOWEGO UŻYTKOWANIA. NIE WOLNO KIEROWAĆ STRUMIENIA WODY NA OSOBY, ZWIERZĘTA, URZĄDZENIA ELEKTRYCZNE PODŁĄCZONE DO PRĄDU ANI NA SAMĄ MASZYNĘ. NIE NALEŻY KIEROWAĆ STRUMIENIA NA SIEBIE ANI INNE OSOBY W CELU WYCZYSZCZENIA ODZIEŻY LUB OBUWIA.



OSTRZEŻENIE! ABY ZAPEWNIĆ BEZPIECZEŃSTWO DZIAŁANIA MASZYNY, NALEŻY UŻYWAĆ WYŁĄCZNIE ORYGINALNYCH CZĘŚCI ZAMIENNYCH PRODUCENTA LUB ZATWIERDZONYCH PRZEZ PRODUCENTA.



OSTRZEŻENIE! WĘŻE CIŚNIENIOWE, MOCOWANIA I ZŁĄCZKI SĄ WAŻNE DLA BEZPIECZEŃSTWA MASZYNY. NALEŻY UŻYWAĆ WYŁĄCZNIE WĘŻY, MOCOWAŃ I ZŁĄCZEK ZALECANYCH PRZEZ PRODUCENTA.



OSTRZEŻENIE! MASZYNY NIE WOLNO PODŁĄCZAĆ DO SIECI WODOCIĄGOWEJ Z WODĄ PITNĄ BEZ IZOLATORA PRZEPŁYWU ZWROTNEGO. PRZED PODŁĄCZENIEM URZĄDZENIA DO SIECI WODOCIĄGOWEJ Z WODĄ PITNĄ NALEŻY SPRAWDZIĆ LOKALNE I KRAJOWE PRZEPISY DOTYCZĄCE INSTALACJI WODOCIĄGOWYCH. WODA, KTÓRA PRZEPŁYNEŁA PRZEZ IZOLATOR PRZEPŁYWU ZWROTNEGO, JEST NIEZDATNA DO PICIA.



OSTRZEŻENIE! W NIEKTÓRYCH SYTUACJACH DO CZYSZCZENIA POD WYSOKIM CIŚNIENIEM MOŻNA UŻYWAĆ DYSZ Z OSŁONĄ, KTÓRE RADYKALNIE OGRANICZAJĄ EMISJĘ AEROSOLI WODNYCH. UŻYCIĘ TAKIEGO OSPRZĘTU NIE ZAWSZE JEST JEDNAK MOŻLIWE. JEŚLI NIE MOŻNA UŻYĆ DYSZ Z OSŁONĄ W CELU OCHRONY PRZED AEROSOLAMI, KONIECZNE MOŻE BYĆ ZASTOSOWANIE MASKI OCHRONNEJ KLASY FFP2 LUB JEJ ODPOWIEDNIKA.

Sytuacje awaryjne

Należy zapoznać się ze sposobem użytkowania maszyny opisanym w niniejszej instrukcji obsługi. Należy zapamiętać wskazówki dotyczące bezpieczeństwa i przestrzegać ich podczas pracy. Pozwoli to ograniczyć ryzyko i zagrożenia.

- **Zachować koncentrację podczas używania maszyny, aby szybko rozpoznawać i eliminować zagrożenia.** Szybka reakcja pozwala zapobiec poważnym obrażeniom lub uszkodzeniu mienia.
- **W przypadku awarii wyłączyć maszynę i odłączyć wtyczkę od źródła zasilania.** Przed ponownym przystąpieniem do użytkowania maszyna powinna zostać sprawdzona i naprawiona przez wykwalifikowaną osobę.

Inne zagrożenia

Nawet podczas używania maszyny zgodnie z wszystkimi wymogami bezpieczeństwa, istnieje ryzyko odniesienia obrażeń i uszkodzenia mienia. Ze względu na konstrukcję i sposób działania użytkowanie maszyny wiąże się z następującymi niebezpieczeństwami:

- Problemy zdrowotne spowodowane przenoszeniem drgań, jeśli maszyna jest używana przez długi czas lub nieprawidłowo obsługiwana.






- obrażenia lub uszkodzenia mienia spowodowane przez uszkodzony osprzęt lub nagłe uderzenie w niewidoczne przedmioty podczas użytkowania maszyny.
- obrażenia i uszkodzenia mienia spowodowane przez wyrzucone w powietrze przedmioty lub niskiej jakości akcesoria do maszyny.



OSTRZEŻENIE! PODCZAS PRACY MASZYNA WYTWARZA POLE ELEKTROMAGNETYCZNE! W NIKTÓRYCH WARUNKACH POLE TO MOŻE POWODOWAĆ ZAKŁÓCENIA DZIAŁANIA AKTYWNYCH LUB PASYWNYCH IMPLANTÓW MEDYCZNYCH! W CELU ZMNIEJSZENIA RYZYKA POWAŻNYCH LUB ŚMIERTELNYCH OBRAŻEŃ ZALECA SIĘ, ABY PRZED PRYZYSTĄPIENIEM DO UŻYWANIA MASZYNY OSOBY POSIADAJĄCE IMPLANTY MEDYCZNE SKONSULTOWAŁY SIĘ ZE SWOIM LEKARZEM ORAZ PRODUCENTEM IMPLANTU!

Symbole

Na produkcie, tabliczce znamionowej oraz w niniejszej instrukcji występują między innymi następujące symbole i skróty. Należy się z nimi zapoznać, aby ograniczyć ryzyko odniesienia obrażeń i uszkodzenia mienia.

V ~	Wolt (napięcie prądu przemiennego)	Hz	Herc
W	Wat	l/godz.	Litr na godzinę
mm	Milimetr	m	Metr
g	Gram	kg	Kilogram
MPa	Megapaskal, jednostka ciśnienia	bar	Jednostka ciśnienia
N	Niuton	kWh/rok	Kilowatogodziny na rok
dB(A)	Decybel (częstotliwościowa charakterystyka korekcyjna A)	m/s ²	Metr na sekundę do kwadratu
	Zablokowanie / zaciśnięcie lub zabezpieczenie.		Odblokowanie / poluzowanie.
	Należy zapoznać się z instrukcją obsługi.		
	Wskazówka / Komentarz.		Przestroga / Ostrzeżenie.
yyWxx	Kod daty produkcji: rok (20yy) oraz tydzień (Wxx) produkcji.		
IPX5	Ochrona przed strumieniami wody.		



Zawsze stosować środki ochrony słuchu.



Zawsze stosować środki ochrony oczu.



Nosić maskę przeciwpyłową.



Nosić rękawice ochronne.



Nosić antypoślizgowe obuwie ochronne.



Nosić dobrze dopasowaną odzież ochronną.



Wyłączyć maszynę i odłączyć ją od źródła zasilania przed rozpoczęciem montażu, czyszczenia, regulacji, konserwacji, przechowywania i transportu.



W przypadku zaplątania, uszkodzenia lub przecięcia przewodu zasilania albo przedłużacza należy natychmiast wyjąć wtyczkę z gniazda sieciowego. **NIE DOTYKAĆ PRZEWODU PRZED ODŁĄCZENIEM ZASILANIA.**



Przedmioty wyrzucane przez maszynę mogą uderzyć operatora lub osoby postronne. Podczas pracy należy zawsze upewnić się, że inne osoby oraz zwierzęta znajdują się w bezpiecznej odległości od maszyny. Dzieci nie powinny zbliżać się do obszaru, w którym znajduje się maszyna.



Maszyna nie jest przeznaczona do podłączania do sieci wodociągowej z wodą pitną.



Nie należy kierować strumienia wody na ludzi, zwierzęta, urządzenia elektryczne podłączone do prądu ani na sam produkt.



Produkt spełnia wymagania klasy ochrony II. Oznacza to, że ma wzmocnioną lub podwójną izolację.



Gwarantowany poziom mocy akustycznej: 92 dB(A).




Symbol ZSEE. Zużytych produktów elektrycznych nie wolno wyrzucać z odpadami komunalnymi. Należy je przekazać do recyklingu w przeznaczonych do tego miejscach. Informacje dotyczące recyklingu można uzyskać u władz lokalnych lub w punkcie sprzedaży.



Produkt jest zgodny z obowiązującymi dyrektywami europejskimi — przeprowadzono ocenę zgodności w tym kierunku.

Dane techniczne

Informacje ogólne

> Napięcie znamionowe, częstotliwość	: 230–240 V~, 50 Hz
> Znamionowa moc wejściowa	: 2200 W
> Ciśnienie znamionowe P_{rated}	: 10,5 MPa (105 bar)
> Dopuszczalne ciśnienie P_{max}	: 15,5 MPa (155 bar)
> Znamionowe natężenie przepływu Q_{rated}	: 360 l/godz.
> Maks. natężenie przepływu Q_{max}	: 460 l/godz.
> Maks. ciśnienie na wlocie $P_{\text{IN MAX}}$: 1 MPa (10 bar)
> Maks. temperatura wody	: 50 °C
> Roczne zużycie energii	: 30 kWh/rok
> Siła odrzutu przy uchwycie	: < 20 N
> Klasa ochrony	: II / 
> Stopień ochrony	: IPX5
> Waga	: ok. 11,2 kg (netto) ok. 13,6 kg (brutto)
> Długość węża ciśnieniowego	: ok. 8 m
> Długość przewodu zasilania	: ok. 5 m
> Wymiary	: ok. 335 x 342 x (593–850) mm
> Maksymalna dopuszczalna impedancja systemu Z_{max}	: 0,371 Ω

Wartości akustyczne

> Poziom ciśnienia akustycznego L_{pA}	: 90,7 dB(A)
> Niepewność K_{pA}	: 3 dB(A)
> Zmierzony poziom mocy akustycznej L_{WA}	: 91,5 dB(A)
> Niepewność K_{WA}	: 3 dB(A)
> Gwarantowany poziom mocy akustycznej L_{WA} (zgodnie z dyrektywą 2000/14/WE zmienioną dyrektywą 2005/88/WE)	: 92 dB(A)

Wartości drgań przenoszonych na dłoń / ramię

> Uchwyt $a_{h,w}$: 2,5 m/s ²
> Niepewność K	: 1,5 m/s ²

Wartości hałasu zostały określone zgodnie z procedurą testowania hałasu wskazaną w normie EN ISO 3744:1955.

Poziom natężenia dźwięku dla operatora może przekraczać wartość 80 dB(A), dlatego konieczne jest stosowanie środków ochrony słuchu.

Deklarowane łączne wartości drgań oraz deklarowane wartości emisji hałasu zmierzono zgodnie ze standardową metodą testową (normy ISO 3744:2010, EN 60335-2-79) i można je wykorzystywać do porównywania produktów. Wartości te mogą być również wykorzystane do wstępnej oceny stopnia narażenia.



OSTRZEŻENIE! POZIOM EMISJI DRGAŃ I HAŁASU W TRAKCIE FAKTYCZNEGO UŻYTKOWANIA MASZYNY MOŻE ODBIEGAĆ OD ZADEKLAROWANEJ ŁĄCZNEJ WARTOŚCI W ZALEŻNOŚCI OD SPOSOBÓW KORZYSTANIA Z MASZYNY, A ZWŁASZCZA OD RODZAJU OBRABIANEGO ELEMENTU.

NALEŻY WSKAZAĆ ŚRODKI BEZPIECZEŃSTWA CHRONIĄCE OPERATORA W OPARCIU O OCENĘ NARAŻENIA W RZECZYWISTYCH WARUNKACH UŻYTKOWANIA (Z UWZGLĘDNIENIEM WSZYSTKICH ELEMENTÓW CYKLU PRACY, TAKICH JAK PRZEDZIAŁY CZASU, W KTÓRYCH MASZYNA JEST WYŁĄCZONA ORAZ W KTÓRYCH PRACUJE NA BIEGU JAŁOWYM, OPRÓCZ MOMENTU WŁĄCZENIA).

Objaśnienie tabliczki znamionowej

MCB1286PRW = Numer modelu
MC = **MAC Allister** (nazwa marki)
B = Napięcie (230–240 V~)
1286 = Kod sekwencyjny
PRW = Myjka ciśnieniowa

TTB1288PRW = Numer modelu
TT = **TITAN** (nazwa marki)
B = Napięcie (230–240 V~)
1288 = Kod sekwencyjny
PRW = Myjka ciśnieniowa

PL Przygotowanie

Rozpakowanie

1. Odpakować wszystkie części i ułożyć je na płaskiej, stabilnej powierzchni.
2. Usunąć wszystkie materiały opakowaniowe i zabezpieczenia transportowe (jeśli dotyczy).
3. Upewnić się, że zostały dostarczone wszystkie elementy, oraz że nie są one uszkodzone. W przypadku stwierdzenia braku lub uszkodzenia części nie używać maszyny i skontaktować się ze sprzedawcą. Używanie niekompletnej lub uszkodzonej maszyny stwarza zagrożenie dla osób i mienia.
4. Upewnić się, że dostępne są wszystkie akcesoria i narzędzia wymagane do montażu i obsługi. Dotyczy to również środków ochrony indywidualnej.



OSTRZEŻENIE! MASZYNA ANI JEJ OPAKOWANIE NIE SĄ ZABAWKAMI DLA DZIECI! NIE POZWALAĆ DZIECIOM NA ZABAWĘ WORKAMI Z TWORZYWA SZTUCZNEGO, FOLIĄ ANI MAŁYMI CZĘŚCIAMI! ISTNIEJE RYZYKO ZADŁAWIENIA ORAZ UDUSZENIA!

Potrzebne będą

(elementy nienależące do zestawu)

Odpowiednie środki ochrony indywidualnej
Odpowiedni przedłużacz do użytku na zewnątrz
Wąż ogrodowy ze złączką i filtrem
Odpowiedni detergent
Odpowiedni wkrętak krzyżakowy

(elementy znajdujące się w zestawie)

Wąż ciśnieniowy (13)
Pistolet natryskowy (15)
Lanca przedłużająca (16)
Drażek przedłużający (17)
Dysza turbo (18)
Dysza wielofunkcyjna (19)
Dysza z butelką na detergent (20)
Szczotka do tarasów (21)
Adapter przyłącza wody (22)
Igła (23)
Pierścień O-ring (Ø5,1 x 1,8) (x2) (24)
Pierścień O-ring (Ø11,5 x 2,5) (25)
Śruba (ST3,5 x 13) (26)
Śruba (ST4,8 x 16) (27)
Śruba (ST4,8 x 16 z dużą główką śruby) (28)
Uchwyt na broń (29)



UWAGA: Wymagane akcesoria zależą od zamierzonego zastosowania. W razie potrzeby zasięgnąć porady u sprzedawcy.



OSTRZEŻENIE! MASZYNĘ NALEŻY CAŁKOWICIE ZMONTOWAĆ PRZED UŻYCIEM! NIE NALEŻY UŻYWAĆ MASZINY, KTÓRA NIE JEST CAŁKOWICIE ZMONTOWANA LUB ZOSTAŁA ZMONTOWANA Z WYKORZYSTANIEM USZKODZONYCH ELEMENTÓW!



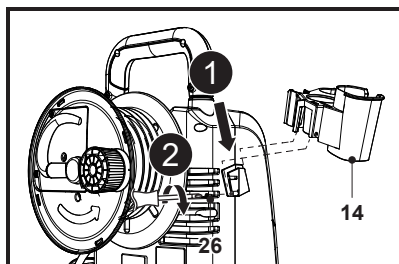
NALEŻY POSTĘPOWAĆ ZGODNIE Z POSZCZEGÓLNYMI KROKAMI INSTRUKCJI MONTAŻU I KORZYSTAĆ Z DOŁĄCZONYCH RYSUNKÓW STANOWIĄCYCH GRAFICZNE WSKAZÓWKI UŁATWIAJĄCE MONTAŻ MASZYNY!

PRZED UŻYCIEM MASZYNY NALEŻY SIĘ ZAPOZNAĆ Z FUNKCJAMI ROBOCZYMI I PRZECZYTAĆ CAŁĄ INSTRUKCJĘ OBSŁUGI, ZWRACAJĄC SZCZEGÓLNA UWAGĘ NA ZASADY BEZPIECZEŃSTWA I PROCEDURY ROBOCZE.

NIE PODŁĄCZAĆ MASZYNY DO ZASILANIA, DOPÓKI NIE ZOSTANIE ZMONTOWANA.

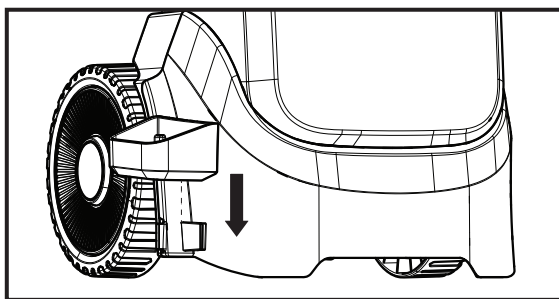
Płyta montażowa

1. Wsunąć wieszak (14) na uchwyt i wyrównać otwór montażowy, a następnie przy użyciu odpowiedniego wkrętaka krzyżakowego (brak w zestawie) zamocować połączenie za pomocą śruby (ST3,5 x 13) (26) (rys. 1a).



Rys. 1a

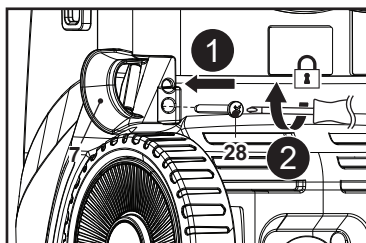
2. Naciśnij, aby wyrównać z rowkiem w kształcie litery U u dołu obudowy. (rys. 1b)



Rys. 1b

Prowadnica węża

Wyrównać otwór montażowy na prowadnicy węża (7) z jego uchwytem na maszynie, a następnie przy użyciu odpowiedniego wkrętaka krzyżakowego (brak w zestawie) zamocować połączenie za pomocą śruby (ST4,8 x 16 z dużą główką śruby) (28) (rys. 2, kroki 1, 2).

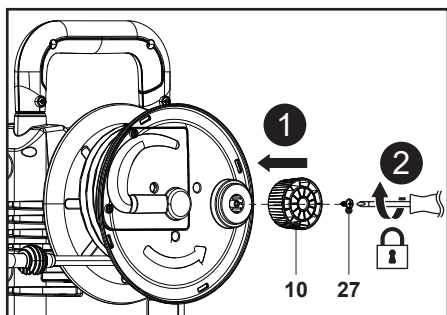


Rys. 2

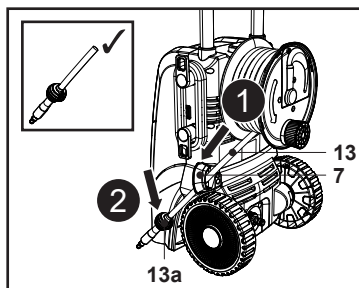
Bęben

Bęben z wężem ciśnieniowym (13) został fabrycznie zamontowany na maszynie.

1. Wyrównać otwór montażowy na pokrętle bębna (10) z jego uchwytem na maszynie, a następnie przy użyciu odpowiedniego wkrętaka krzyżakowego (brak w zestawie) zamocować połączenie za pomocą śruby (ST4,8 x 16) (27) (rys. 3, kroki 1, 2).
2. Poprowadzić węż ciśnieniowy (13) przez prowadnicę węża (7), a następnie przymocować pierścień mocujący (13a) do końcówki (rys. 4, kroki 1, 2).



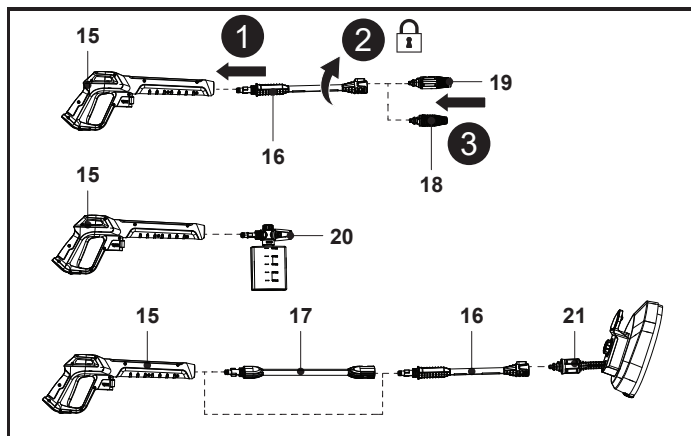
Rys. 3



Rys. 4

Podłączanie / odłączanie akcesoriów pistoletu natryskowego

1. Wyrównać i włożyć lancę przedłużającą (16) do gniazda pistoletu natryskowego (15) (rys. 5, krok 1).
2. Pchnąć i obrócić lancę przedłużającą (16) w prawo na pistolecie natryskowym (15), a następnie dokręcać ręcznie do momentu zablokowania (rys. 5, krok 2).
3. Wyrównać dwa wypusty dyszy z otworami lancy przedłużającej (16), a następnie włożyć dyszę turbo (18) lub dyszę wielofunkcyjną (19) do samego końca (rys. 5, krok 3).
4. Wyrównać dwa wypusty dyszy z butelką na detergent (20) z pistoletem natryskowym (15), a następnie wcisnąć dyszę z butelką na detergent (20) na pistolet natryskowy (15) i obrócić w prawo aż do zablokowania.
5. Szczotkę do tarasów (21) można zamontować na lancy przedłużającej (16), a następnie zamontować ją bezpośrednio na pistolecie natryskowym (15) lub za pośrednictwem drążka przedłużającego (17).

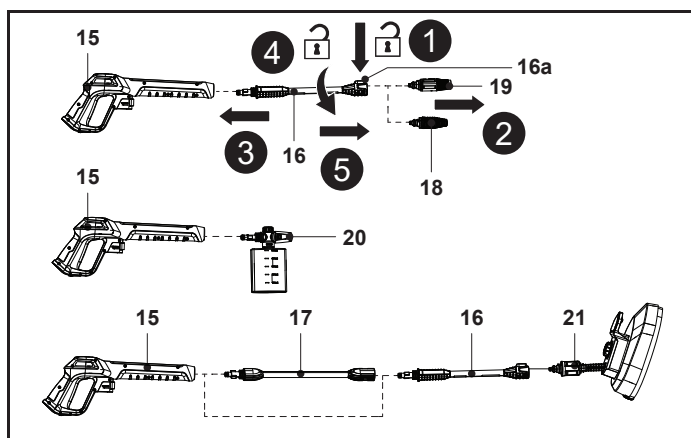


Rys. 5



UWAGA: Prawidłowo połączonych elementów nie da się rozdzielić poprzez pociągnięcie za nie. Aby umożliwić prawidłową pracę pistoletu natryskowego (15) należy zamocować w nim wszystkie akcesoria.

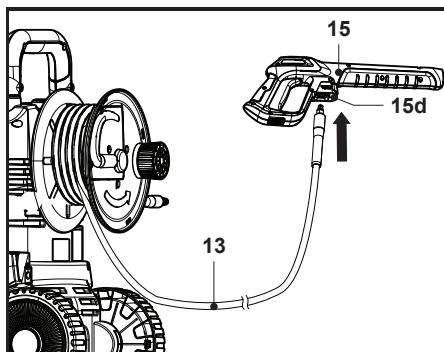
6. Aby odłączyć dyszę, nacisnąć przycisk blokady (16a) i przytrzymać go w tym położeniu, a następnie wyjąć zamocowaną dyszę (rys. 6, kroki 1, 2). Zamontować ponownie wymaganą dyszę.
7. Aby odłączyć lancę przedłużającą (16), należy ją nacisnąć i obrócić w lewo w celu jej wyciągnięcia (rys. 6, kroki 3, 4, 5).
8. Aby odłączyć dyszę z butelką na detergent (20) lub drążek przedłużający (17) od pistoletu natryskowego (15), należy je nacisnąć i obrócić w lewo. Zamontować ponownie wymagane akcesorium pistoletu natryskowego.



Rys. 6

Podłączenie / odłączenie węża ciśnieniowego

1. Delikatnie pociągnąć za wąż ciśnieniowy (13), aby go wyciągnąć. Zalecamy, aby przed rozpoczęciem pracy całkowicie rozwinąć wąż ciśnieniowy (13).
2. Włożyć końcówkę węża ciśnieniowego (13) do złączki do węża (15d) w pistolecie natryskowym (15) i wsuwać aż do usłyszenia kliknięcia (rys. 7).

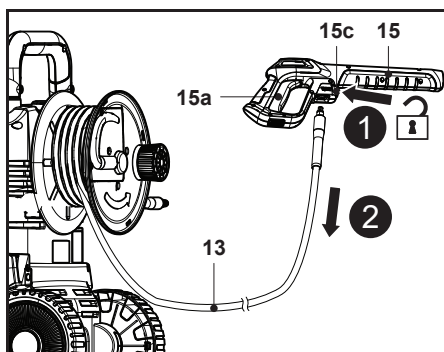


Rys. 7



OSTRZEŻENIE! NIE WOLNO SKRĘCAĆ ANI ZGINAĆ WĘŻA CIŚNIENIOWEGO (13), PONIEWAŻ MOŻE TO DOPROWADZIĆ DO JEGO USZKODZENIA.

3. Aby odłączyć wąż ciśnieniowy (13) od pistoletu natryskowego (15), pchnąć dźwignię szybkiego zwalniania (15c) w kierunku węża ciśnieniowego (13) i przytrzymać ją w tym położeniu, a następnie wyjąć wąż ciśnieniowy (13) (rys. 8, kroki 1, 2).



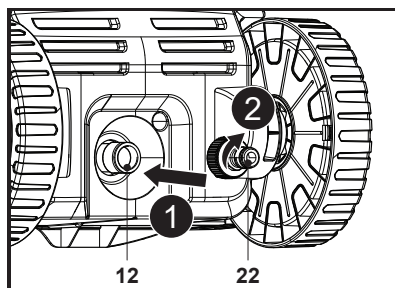
Rys. 8



OSTRZEŻENIE! WODA POD CIŚNIENIEM. PRZED ODŁĄCZENIEM WĘŻA CIŚNIENIOWEGO (13) NALEŻY ODCIĄĆ DOPŁYW WODY, WYŁĄCZYĆ MASZYNĘ I NACISNĄĆ SPUST PISTOLETU NATRYSKOWEGO (15A), ABY UWOLNIĆ CIŚNIENIE.

Podłączanie adaptera przyłącza wody

Wyrównać i przykręcić adapter przyłącza wody (22) do przyłącza wlotu wody (12) z tyłu maszyny (rys. 9, kroki 1, 2).



Rys. 9

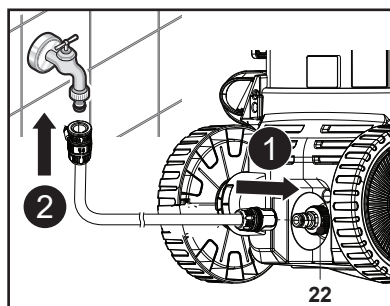
i UWAGA: Przyłącze wlotu wody (12) jest montowane wraz z filtrem siatkowym. Filtr ten należy zamontować, aby uniknąć przedostawania się zanieczyszczeń ze źródła wody do maszyny oraz uszkodzenia pompy znajdującej się w jej wnętrzu.

Podłączanie dopływu wody

Myjka ciśnieniowa wymaga źródła wody o maksymalnym ciśnieniu 1 MPa (145 psi). Zaleca się podłączenie wzmocnionego węża ogrodowego (o minimalnej średnicy 12 mm) do przyłącza wlotu wody. Używanie wiadra i syfonu jest niedozwolone.

1. Przepuścić wodę przez wąż ogrodowy (nienależący do zestawu), aby usunąć wszelkie ciała obce.
2. Zamocować wąż ogrodowy do **adaptera przyłącza wody (22)** na przyłączu wlotu wody (12) na maszynie (rys. 10, krok 1). W przypadku wlotu wody należy zawsze używać standardowej złączki. Aby zapewnić prawidłowe działanie, wąż nie może być dłuższy niż 8 m.

i UWAGA: Jeśli na połączeniu węża jest zamontowany jakikolwiek filtr w celu zapobiegania przedostawaniu się zanieczyszczeń do pompy, należy go sprawdzić przed użyciem, ponieważ niewystarczający dopływ wody może spowodować uszkodzenie pompy.



Rys. 10

3. Podłączyć drugi koniec węża ogrodowego do dopływu wody (rys. 10, krok 2).



OSTRZEŻENIE! MASZYNA NIE JEST PRZEZNACZONA DO PODŁĄCZANIA DO SIECI WODOCIĄGOWEJ Z WODĄ PITNĄ.



PRZY PODŁĄCZANIU URZĄDZENIA DO INSTALACJI WODOCIĄGOWEJ NALEŻY PRZESTRZEGAĆ WYMAGAŃ LOKALNEGO ZAKŁADU WODOCIĄGOWEGO! ZABRANIA SIĘ PODŁĄCZANIA MASZYNY DO INSTALACJI WODY PITNEJ BEZ IZOLATORA PRZEPŁYWU ZWROTNEGO ZGODNEGO Z NORMĄ EN 12729 (TYP BA) LUB EN 61770!

4. Delikatnie pociągnąć za wąż ogrodowy, aby upewnić się, że połączenie jest stabilne.

Podłączanie do zasilania



UWAGA: Maszyna jest wyposażona w przewód zasilania o długości 5 m. Jeśli do pracy niezbędny jest dodatkowy przedłużacz, przy jego zakupie należy przestrzegać wymagań technicznych dotyczących tej maszyny.

Przedłużacz musi być co najmniej typu H05VV-F, a pole przekroju jego żył powinno wynosić 2,5 mm². Łączna długość przewodu nie może przekraczać 25 metrów. Gniazdo przedłużacza musi być odporne na zachłapania wodą.

Całkowicie rozwinąć przedłużacz.

Przed rozpoczęciem pracy należy zawsze sprawdzić, czy wtyczka, gniazdo i przedłużacz są w dobrym stanie.

1. Upewnić się, że przełącznik obrotowy wł./wyl. (I/O) (3) znajduje się w położeniu wyłączenia.
2. Całkowicie odwinąć przewód zasilania z dwóch haków przewodu (4), a następnie podłączyć wtyczkę przewodu zasilania (5) do odpowiedniego gniazda.



OSTRZEŻENIE! SPRAWDZIĆ NAPIĘCIE! NAPIĘCIE MUSI BYĆ ZGODNE Z DANymi NA TABLICZCE ZNAMIONOWEJ!

ŹRÓDŁO ZASILANIA MASZYNY MUSI BYĆ ZABEZPIECZONE WYŁĄCZNIKIEM RÓŻNICOWOPRĄDOWYM (RCD) O NATĘŻENIU PRĄDU WYŁĄCZENIA NIEPRZEKRACZAJĄCYM 30 mA.

3. Maszyna jest teraz gotowa do użycia.

Przeznaczenie produktu

Elektryczna myjka ciśnieniowa to urządzenie o znamionowej mocy wejściowej 2200 W.

Maszyna jest przeznaczona do czyszczenia powierzchni zewnętrznych i obiektów znajdujących się wokół domu, a także narzędzi, pojazdów i łodzi — pod warunkiem zastosowania odpowiednich akcesoriów i środków czyszczących.

Maszynę należy obsługiwać wyłącznie w temperaturze od 0 °C do 50 °C.

Ze względów bezpieczeństwa bardzo ważne jest zapoznanie się z całą instrukcją obsługi przed rozpoczęciem użytkowania produktu oraz przestrzeganie wszystkich zawartych w niej wytycznych.

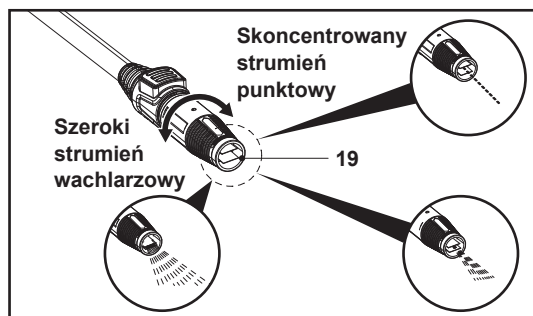
Maszyna jest przeznaczona tylko do zastosowań domowych, nie do zastosowań komercyjnych. Nie może służyć do celów innych niż wskazane.

Korzystanie z różnych dysz

Dysza wielofunkcyjna

Dysza wielofunkcyjna (19) umożliwia korzystanie z różnych trybów natrysku, począwszy od pełnego strumienia wachlarzowego aż po bezpośredni skoncentrowany strumień.

Należy obrócić końcówkę dyszy w prawo, aby ustawić skoncentrowany strumień punktowy, lub w lewo, w celu ustawienia szerokiego strumienia wachlarzowego (rys. 11).



Rys. 11

- Skoncentrowany strumień punktowy

Strumień wody jest kierowany w linii prostej na czyszczony obszar, aby usunąć zaschnięte błoto i inne zabrudzenia ze sprzętu rolniczego itp. Lancę natryskową należy przez cały czas trzymać w odległości 15–25 cm od czyszczonej powierzchni.

- Tryb natrysku

Woda jest rozpryskiwana szerokim strumieniem wachlarzowym na potrzeby czyszczenia drewnianych tarasów, ścian, motocykli, samochodów itp. Natrysk strumieniem wachlarzowym należy zawsze rozpocząć w odległości co najmniej 90 cm, aby uniknąć uszkodzenia powierzchni czyszczonego materiału. Na początek należy zawsze skierować strumień na obszar testowy, w którym nie znajdują się żadne osoby ani przedmioty.



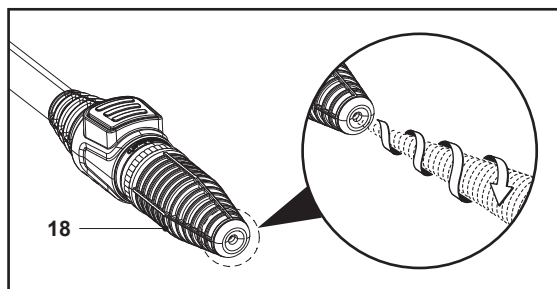
UWAGA: Najpierw ustawić skoncentrowany strumień punktowy, a następnie stopniowo przesuwając w kierunku położenia szerokiego strumienia wachlarzowego, jednocześnie naciskając spust pistoletu natryskowego.

Należy pamiętać, że w przypadku całkowitego obrócenia w położenie szerokiego strumienia wachlarzowego woda może być rozpryskiwana w poziomie nad szerokim obszarem.

Należy pamiętać, że dysza może zostać uszkodzona w przypadku siłowego przesunięcia poza pozycję zatrzymania podczas przełączania między skoncentrowanym strumieniem punktowym a szerokim strumieniem wachlarzowym.

Dysza turbo

Dysza turbo (18) obraca się podczas rozpryskiwania strumieni wody pod wysokim ciśnieniem, co zwiększa skuteczność czyszczenia (rys. 12).



Rys. 12



UWAGA! NIE NALEŻY PODEJMOWAĆ PRÓB REGULACJI DYSZY TURBO.

UNIKAĆ STOSOWANIA NA PRZEDMIOTACH, KTÓRE ŁATWO ULEGAJĄ USZKODZENIU LUB KTÓRYCH POWŁOKI ŁATWO SIĘ ZŁUSZCZAJĄ.

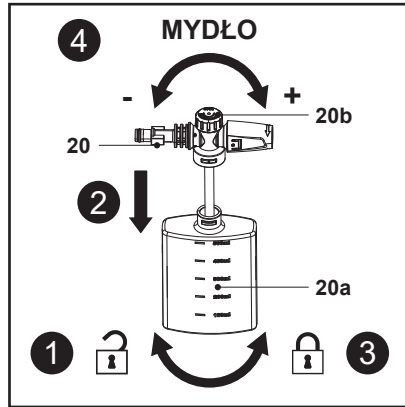
Dysza z butelką na detergent

Dysza z butelką na detergent (20) umożliwia spryskiwanie mieszanką wody i detergentu pod niskim ciśnieniem.

Detergenty mogą wzmocnić działanie czyszczące wody. Należy stosować wyłącznie neutralne detergenty dostępne w powszechnej sprzedaży.

Uzupełnianie i stosowanie detergentu przedstawiono na rys. 13.

1. Chwycić dyszę z butelką na detergent (20), a następnie odblokować i zdjąć butelkę (20a) (rys. 13, krok 1).
2. Upewnić się że wąż dopływu wody jest prawidłowo zamocowany do dyszy podawania detergentu (20).
3. Wlać do butelki nierozcieńczony neutralny detergent.
4. Umieścić dyszę z butelką na detergent (20) na butelce (20a) (rys. 13, krok 2).
5. Chwycić dyszę z butelką na detergent (20), a następnie pewnie zablokować na niej butelkę (20a) (rys. 13, krok 3).
6. Obrócić pokrętko regulacyjne (20b) w prawo, aby rozpocząć mycie z dużą ilością mydła, lub w lewo, aby rozpocząć mycie z małą ilością mydła (rys. 13, krok 4).
7. Zamocować dyszę z butelką na detergent (20) do pistoletu natryskowego (15).
8. Dysza z butelką na detergent (20) jest gotowa do użytku.



Rys. 13



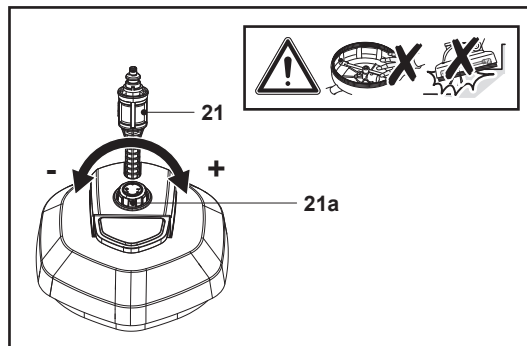
OSTRZEŻENIE! NIE NALEŻY STOSOWAĆ KWAŚNYCH ANI ALKALICZNYCH DETERGENTÓW. NALEŻY STOSOWAĆ WYŁĄCZNIE NEUTRALNE DETERGENTY DOSTĘPNE W POWSZECHNEJ SPRZEDAŻY.

STOSOWANIE DETERGENTÓW INNYCH NIŻ NEUTRALNE LUB ŚRODKÓW CHEMICZNYCH MOŻE SKUTKOWAĆ WYPADKAMI LUB USTERKAMI.

Szczotka do tarasów

Szczotka do tarasów (21) umożliwia dokładne usuwanie lekkich i silnych zabrudzeń i jest bardzo delikatna dla powierzchni.

Obrót pokrętła regulacji przepływu (21a) w prawo zwiększa prędkość czyszczenia, natomiast obrót w lewo zmniejsza prędkość czyszczenia (rys. 14).



Rys. 14

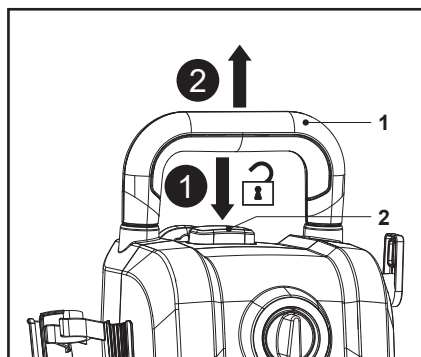


OSTRZEŻENIE! SZCZOTKA DO TARASÓW (21) SŁUŻY WYŁĄCZNIE DO CZYSZCZENIA POWIERZCHNI I MOŻE ULEĆ USZKODZENIU, JEŚLI ZOSTANIE UŻYTA DO CZYSZCZENIA KRAWĘDZI.

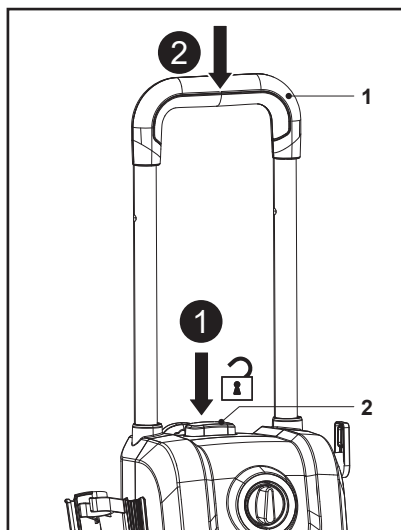
PODCZAS PRACY MASZYNY NIE NALEŻY DOTYKAĆ OBRACAJĄCEJ SIĘ CZĘŚCI.

Regulacja uchwyty transportowego

1. Nacisnąć i przytrzymać przycisk blokady uchwyty (2), a następnie pociągnąć do oporu uchwyty transportowy (1) (rys. 15).
2. Nacisnąć i przytrzymać przycisk blokady uchwyty (2), a następnie nacisnąć i wsunąć uchwyty transportowy (1) (rys. 16).



Rys. 15



Rys. 16

Uruchamianie

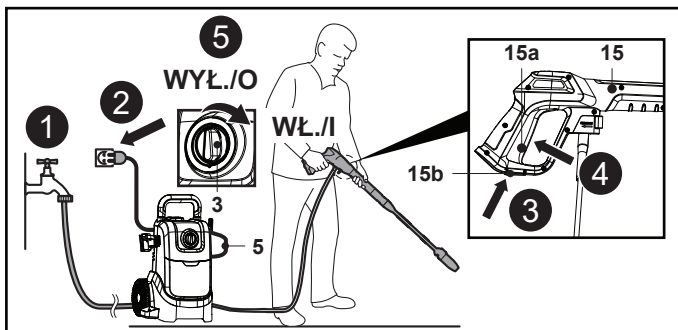


OSTRZEŻENIE! ABY ZAPOBIEC USZKODZENIU MASZYNY, NIE WOLNO DOPUŚCIĆ DO PRACY NA SUCHO.

UPEWNIĆ SIĘ, ŻE MYJKA CIŚNIENIOWA JEST UMIESZCZONA NA RÓWNYM I TWARDYM PODŁOŻU.

PODCZAS UŻYTKOWANIA MYJKA CIŚNIENIOWA MUSI ZAWSZE ZNAJDOWAĆ SIĘ W POZYCJI PIONOWEJ.

1. Odkręcić kran, aby umożliwić przepływ wody do pompy (rys. 17, krok 1).
2. Podłączyć przewód zasilania (5) do gniazda zasilania po upewnieniu się, że przełącznik obrotowy wł./wyt. (3) znajduje się w położeniu wyłączenia (rys. 17, krok 2).
3. Pociągnąć do tyłu blokadę spustu (15b) u dołu pistoletu natryskowego (15), aby odblokować spust pistoletu (15a) (rys. 17, krok 3).
4. Całkowicie nacisnąć spust (15a) aż do uzyskania stałego przepływu wody w celu usunięcia powietrza z maszyny i węża dopływu wody (rys. 17, krok 4). Następnie zwolnić spust pistoletu natryskowego (15a).
5. Włączyć maszynę, obracając przełącznik obrotowy wł./wyt. (3) do położenia „I” (rys. 17, krok 5).
6. Skierować pistolet w dół. Skierować lancę w kierunku przedmiotu, który ma zostać umyty. Upewnić się, że odległość robocza jest właściwa.
7. Całkowicie nacisnąć spust pistoletu natryskowego (15a), aby uruchomić strumień wody.



Rys. 17



OSTRZEŻENIE! DŁUGOTRWALE UŻYTKOWANIE URZĄDZENIA MOŻE WYWOŁAĆ PROBLEMY Z PRZEPŁYWEM KRWI W DŁONIACH Z POWODU DRGAŃ.

NIE DA SIĘ OKREŚLIĆ JEDNEGO OGÓLNIE BEZPIECZNEGO CZASU PRACY, PONIEWAŻ ZALEŻY TO OD KILKU CZYNNIKÓW:

- PODATNOŚĆ NA ZABURZENIA KRAŻENIA (ZIMNE, DRĘTWIEJĄCE PALCE).
- NISKA TEMPERATURA OTOCZENIA. NALEŻY NOSIĆ CIEPŁE RĘKAWICE, ABY CHRONIĆ DŁONIE.
- MOCNY CHWYT OGRANICZA PRZEPŁYW KRWI.
- CIĄGŁA PRACA WYWIERA WIĘKSZY NEGATYWNY WPŁYW NIŻ PRACA Z PRZERWAMI. W PRZYPADKU REGULARNEJ, DŁUGOTRWALEJ OBSŁUGI URZĄDZENIA ORAZ POWTARZAJĄCYCH SIĘ OBJAWÓW (NP. ZIMNYCH, DRĘTWIEJĄCYCH PALCÓW) NALEŻY SKONSULTOWAĆ SIĘ Z LEKARZEM.

Zatrzymywanie



OSTRZEŻENIE! PODCZAS WYŁĄCZANIA MASZYNY WYSOKIE CIŚNIENIE NADAL ZNAJDUJE SIĘ W WĘŻU I W MASZYNE. NALEŻY SKIEROWAĆ PISTOLET W BEZPIECZNYM KIERUNKU I UWOLNIĆ NADMIAR CIŚNIENIA.

NIE WOLNO KIEROWAĆ STRUMIENIA WODY POD WYSOKIM CIŚNIENIEM W STRONĘ LUDZI ANI ZWIERZĄT.

1. Zakręcić kran.
2. Naciskać spust pistoletu natryskowego (15a) aż do usunięcia wody z dyszy w celu uwolnienia ciśnienia resztkowego z węża ciśnieniowego (13). Ciśnienie zostanie usunięte z maszyny.
3. Zwolnić spust pistoletu natryskowego (15a).
4. Pchnąć do przodu blokadę spustu (15b) u dołu pistoletu natryskowego (15), aby zablokować spust pistoletu (15a). Uniemożliwia to przypadkowe załączenie pistoletu natryskowego.
5. Wyłączyć maszynę, obracając przełącznik obrotowy wł./wyl. (3) do położenia „O”.



UWAGA: Pozostawienie włączonej myjki ciśnieniowej może skutkować pracą na sucho, co prowadzi do usterek.

Funkcja automatycznego zatrzymania

Maszyna została zaprojektowana tak, aby wyłączać silnik, gdy spust (15a) na pistolecie natryskowym (15) zostanie zwolniony.

Mechanizmy bezpieczeństwa

Myjka ciśnieniowa jest wyposażona w poniższe mechanizmy bezpieczeństwa, aby zagwarantować bezpieczne użytkowanie.

Przełącznik obrotowy wł./wył.

Zapobiega przypadkowemu włączeniu myjki ciśnieniowej.

Spust pistoletu natryskowego z blokadą

Blokada zapobiega przypadkowemu naciśnięciu spustu pistoletu natryskowego (15a) i w efekcie uruchomieniu myjki ciśnieniowej.

Wyłącznik ciśnieniowy

Zapobiega przekroczeniu dozwolonych poziomów ciśnienia wewnątrz myjki ciśnieniowej. Zwolnienie spustu pistoletu natryskowego (15a) powoduje, że zawór działający pod wpływem ciśnienia wody wstrzymuje pracę pompy, co umożliwia uwolnienie ciśnienia poprzez dopływ wody. Pompa jest uruchamiana ponownie po naciśnięciu spustu pistoletu natryskowego (15a).

Zabezpieczenie termiczne

W przypadku wykrycia nadmiernego ciepła chroni silnik poprzez wstrzymanie jego pracy. Praca jest wznowiana po ostygnięciu silnika.

PL Użytkowanie

Ogólne zasady użytkowania

1. Przed każdym użyciem należy sprawdzić, czy maszyna, przewód zasilania i wtyczka oraz akcesoria nie są uszkodzone. Nie używać maszyny, jeśli jest uszkodzona lub wykazuje oznaki zużycia. W przypadku stwierdzenia problemów należy podjąć odpowiednie działania lub zlecić sprawdzenie maszyny przez wykwalifikowanego specjalistę.
2. Sprawdzić dokładnie, czy akcesoria i osprzęt są prawidłowo zamocowane.
3. Maszynę należy zawsze transportować przy użyciu uchwytu transportowego (1) i tylnych kół (8).
4. Zawsze pewnie trzymać pistolet natryskowy obiema rękami za uchwyt i powierzchnię chwytu. Aby zapewnić bezpieczny chwyt, uchwyt powinien być suchy i nie może być zanieczyszczony olejem.
5. Dbać o to, aby otwory wentylacyjne (11) były zawsze drożne i czyste. W razie potrzeby oczyścić je za pomocą szczotki z miękkim włosiem. Niedrożność otworów wentylacyjnych może doprowadzić do przegrzania i uszkodzenia maszyny.
6. W przypadku zakłócenia pracy przez inne osoby wchodzące w obszar roboczy należy natychmiast wyłączyć maszynę i odłączyć ją od źródła zasilania. Należy zaczekać, aż maszyna całkowicie się wyłączy, przed pozostawieniem jej bez nadzoru.
7. Nie przepracowywać się. Zachowywać regularne przerwy, aby utrzymać odpowiednią koncentrację podczas pracy i pełną kontrolę nad maszyną.

Użytkowanie



OSTRZEŻENIE! NIE WOLNO UŻYWAĆ MASZYNY BEZ DOPŁYWU WODY. SKUTKUJE TO PRACĄ MASZYNY NA SUCHO I PROWADZI DO JEJ USZKODZENIA.

NIE ROZCIĄGAĆ NADMIERNIE WĘŻA CIŚNIENIOWEGO ANI NIE PRZESTAWIAĆ MYJKI CIŚNIENIOWEJ, CIĄGNĄC ZA WĄŻ, PONIEWAŻ MOŻE TO SPOWODOWAĆ UTRATĘ STABILNOŚCI MASZYNY I JEJ PRZEWRÓCENIE.

NIE ZGINAĆ WĘŻA CIŚNIENIOWEGO ANI NIE NAJEŹDZAĆ NA NIEGO POJAZDEM SILNIKOWYM.

NIE UMIESZCZAĆ WĘŻA CIŚNIENIOWEGO NA OSTRYCH KRAWĘDZIACH ANI NAROŻNIKACH.

NACIŚNIĘCIE SPUSTU PISTOLETU NATRYSKOWEGO WYWOŁUJE ZJAWISKO ODRZUTU! DLATEGO NALEŻY ZAWSZE TRZYMAĆ PISTOLET OBIEMA RĘKAMI!

ZWRACAĆ UWAGĘ NA BEZPIECZNĄ POSTAWĘ! NIEPRAWIDŁOWA OBSŁUGA MOŻE SKUTKOWAĆ ODNIESIENIEM OBRAŹEŃ!



OSTRZEŻENIE! NIE KORZYSTAĆ Z MASZYNY PRZY TEMPERATURZE OTOCZENIA NIŻSZEJ NIŻ 0 °C. GROZI TO ZAMARZNIĘCIEM WODY WEWNĄTRZ MASZYNY I JEJ USZKODZENIEM.

1. W zależności od zastosowania zamocować odpowiednią dyszę na pistolecie natryskowym.
2. W przypadku korzystania z dyszy wielofunkcyjnej ustawić wymagany tryb natrysku (19).
3. Zachować odpowiednią odległość między dyszą a czyszczoną powierzchnią, aby nie uszkodzić powierzchni.
4. Trzymać pistolet natryskowy (15) obiema rękami.
5. Włączyć maszynę, obracając przełącznik obrotowy wł./wyt. (3) do położenia „I”.
6. Skierować pistolet w dół. Skierować lancę w kierunku przedmiotu, który ma zostać umyty. Upewnić się, że odległość robocza jest właściwa.
7. Całkowicie nacisnąć spust pistoletu natryskowego (15a), aby uruchomić strumień wody, jak pokazano na rys. 18.
8. Powoli i równomiernie przesuwaj lancę do przodu wzdłuż czyszczonej powierzchni, aby wyczyścić ją w kontrolowany sposób.



Rys. 18



OSTRZEŻENIE! PRZY NACISKANIU SPUSTU PISTOLETU NATRYSKOWEGO (15A) NALEŻY UWAŻAĆ NA ODRZUT!



UWAGA: Należy zawsze zachowywać odpowiednią odległość między dyszą a czyszczonym przedmiotem, aby nie spowodować jego uszkodzenia. W razie potrzeby zwrócić się o poradę do wyspecjalizowanego sprzedawcy.

9. Zwolnić spust pistoletu natryskowego (15a), aby zatrzymać strumień wody.

Wskazówki

Zalecana procedura czyszczenia

Rozpuścić zabrudzenia, nanosząc detergent wymieszany z wodą na suchą powierzchnię. Pozostawić detergent na powierzchni na kilka minut, nie dopuszczając do jego wyschnięcia.

Powierzchnie pionowe należy czyścić od dołu do góry. Kierować strumień wody pod wysokim ciśnieniem od dołu do góry z odległości co najmniej 30 cm pod kątem 45°, a następnie od góry od dołu.

W niektórych przypadkach do usunięcia zabrudzeń niezbędne jest użycie szczotki. Czyszczenie pod wysokim ciśnieniem nie zawsze zapewnia najlepsze efekty, ponieważ może spowodować uszkodzenie niektórych powierzchni. Nie należy używać najwyższego ustawienia strumienia dyszy na delikatnych lub malowanych częściach lub na elementach pod ciśnieniem (takich jak opony, zawory itp.).

Skuteczność czyszczenia zależy zarówno od ciśnienia, jak i objętości użytej wody.

Na początek należy skierować strumień na obszar testowy, w którym nie znajdują się żadne osoby ani przedmioty.

Czyszczenie przy użyciu detergentu

Podczas czyszczenia przy użyciu myjki ciśnieniowej niektóre zadania można wykonać za pomocą samej wody, jednak w większości przypadków korzystne jest stosowanie detergentu. Detergent umożliwia szybkie rozpuszczenie zabrudzeń, co ułatwia ich skuteczne usuwanie przy użyciu wody pod wysokim ciśnieniem.

Praca w trybie niskiego ciśnienia umożliwia delikatną aplikację detergentu. To ustawienie jest również zalecane w przypadku płukania powierzchni po nałożeniu wosku lub innych zastosowań, które wymagają czyszczenia pod niskim ciśnieniem. Niskie ciśnienie odpowiada ciśnieniu wody z węża ogrodowego ustawionego na minimalny przepływ i jest przeznaczone do aplikacji detergentu.

Podczas czyszczenia pionowej powierzchni brud / detergent należy zmywać od dołu i stopniowo przesuwając się w górę. Nie dopuścić do zaschnięcia

Za pomocą dyszy płaskostrumieniowej splukiwać powierzchnię od góry i stopniowo przesuwając się w dół.

Układ chłodzenia

Otwory wentylacyjne, które znajdują się w myjce ciśnieniowej i dookoła niej, muszą być czyste i wolne od zatorów, aby zapewnić odpowiednie chłodzenie silnika powietrzem podczas pracy. Nie wolno kierować strumienia wody bezpośrednio na myjkę ciśnieniową, aby ją wyczyścić



OSTRZEŻENIE! NIE NALEŻY DOPUSZCZAĆ DO PRZENIKANIA WODY DO OTWORÓW WENTYLACYJNYCH, ABY ZMINIMALIZOWAĆ RYZYKO USZKODZENIA MASZYNY I PORAŻENIA PRĄDEM OPERATORA.

Powierzchnie drewniane i winylowe.

Splukać powierzchnię i pobliski obszar czystą wodą. W przypadku korzystania z detergentu podłączyć dyszę z butelką na detergent (20) do pistoletu natryskowego i użyć trybu niskiego ciśnienia, aby nałożyć detergent na czyszczony obszar. Aby uzyskać optymalne efekty, podzielić obszar roboczy na mniejsze sekcje i czyścić kolejno każdą z nich. Pozostawić detergent na powierzchni na kilka minut, a następnie splukać go strumieniem pod wysokim ciśnieniem.

NIE DOPUŚCIĆ DO ZASCHNIĘCIA DETERGENTU. Aby uzyskać najlepsze wyniki, należy zawsze czyścić od lewej do prawej strony i od góry do dołu. Splukiwać strumieniem wachlarzowym pod wysokim ciśnieniem, trzymając końcówkę dyszy natryskowej w odległości co najmniej 15–25 cm od czyszczonej powierzchni.

Zachowywać większą odległość od czyszczonej powierzchni w przypadku użycia natrysku bezpośredniego.



UWAGA! W PRZYPADKU MIĘKKICH RODZAJÓW DREWNA NALEŻY ZWIĘKSZYĆ ODLEGŁOŚĆ OD CZYSZCZONEGO OBSZARU.

Powierzchnie cementowe, kamienne i ceglane

Splukać czyszczonego obszar i jego otoczenie czystą wodą. W przypadku korzystania z detergentu podłączyć dyszę z butelką na detergent (20) do pistoletu natryskowego i użyć trybu niskiego ciśnienia, aby nałożyć detergent na czyszczonego obszar. Splukiwać strumieniem wachlarzowym pod wysokim ciśnieniem, wykonując płynne ruchy i trzymając końcówkę dyszy natryskowej w odległości co najmniej 7–15 cm od czyszczonej powierzchni.

Zachowywać większą odległość od czyszczonej powierzchni w przypadku użycia natrysku bezpośredniego.

Samochody, łodzie i motocykle

Splukać czyszczonego obszar i jego otoczenie czystą wodą. W przypadku korzystania z detergentu podłączyć dyszę z butelką na detergent (20) do pistoletu natryskowego i użyć trybu niskiego ciśnienia, aby nałożyć detergent na czyszczonego obszar. Aby osiągnąć najlepsze rezultaty, czyścić jedną stronę na raz. Pozostawić detergent na powierzchni na kilka minut, nie dopuszczając do jego wyschnięcia. Splukiwać strumieniem wachlarzowym pod wysokim ciśnieniem, wykonując płynne ruchy i trzymając końcówkę dyszy natryskowej w odległości co najmniej 20 cm od czyszczonej powierzchni.

W celu uzyskania połysku wytrzeć powierzchnię do sucha.



OSTRZEŻENIE! NIE WOLNO UŻYWAĆ SKONCENTROWANEGO STRUMIENIA PUNKTOWEGO DO CZYSZCZENIA POJAZDÓW SILNIKOWYCH ANI MALOWANYCH POWIERZCHNI ŁODZI. NIE UŻYWAĆ MYJKI CIŚNIENIOWEJ DO CZYSZCZENIA SILNIKÓW!

Grille, sprzęt elektryczny i narzędzia ogrodowe

Splukać czyszczonego obszar i jego otoczenie czystą wodą. W przypadku korzystania z detergentu podłączyć dyszę z butelką na detergent (20) do pistoletu natryskowego i użyć trybu niskiego ciśnienia, aby nałożyć detergent na czyszczonego obszar. Pozostawić detergent na powierzchni na kilka minut, nie dopuszczając do jego wyschnięcia. Splukiwać strumieniem wachlarzowym pod wysokim ciśnieniem, trzymając końcówkę dyszy natryskowej w odległości co najmniej 8 cm od czyszczonej powierzchni. Zachowywać większą odległość od czyszczonej powierzchni w przypadku użycia natrysku bezpośredniego.

Po zakończeniu użytkowania

1. Wyłączyć maszynę, odłączyć ją od źródła zasilania i poczekać na jej ostygnięcie.
2. Uwolnić ciśnienie z maszyny.
3. Sprawdzić, wyczyścić i przechowywać maszynę w opisany niżej sposób.
4. Odłączyć wąż ogrodowy od maszyny i dopływu wody.
5. Odłączyć wąż ciśnieniowy od pistoletu natryskowego (15) i maszyny.
6. Spuścić resztki wody z węża ciśnieniowego (13).
7. Przechylić myjkę ciśnieniową, aby spuścić z niej resztki wody.



OSTRZEŻENIE! WODA POZOSTAWIONA W MYJCE MOŻE ZAMARZNAĆ ZIMĄ, CO MOGŁOBY SKUTKOWAĆ USZKODZENIEM POMPY.

Najważniejsze zasady konserwacji



OSTRZEŻENIE! PRZED PRZYSTĄPIENIEM DO PRZEGLĄDU, KONSERWACJI LUB CZYSZCZENIA NALEŻY ZAWSZE WYŁĄCZYĆ MASZYNĘ, ODŁĄCZYĆ JĄ OD ŹRÓDŁA ZASILANIA I POCZekać, AŻ OSTYGNIE!



PRACE ZWIĄZANE Z CZYSZCZENIEM I KONSERWACJĄ NALEŻY WYKONYWAĆ WYŁĄCZNIE ZGODNIE Z NINIEJSZĄ INSTRUKCJĄ! INNE CZYNNOŚCI MOGĄ BYĆ WYKONYWANE TYLKO PRZEZ WYKWALIFIKOWANEGO SPECJALISTĘ!

1. Utrzymywać maszynę w czystości. Po każdym użyciu i przed odstawieniem do przechowywania usunąć z niej wszelkie zanieczyszczenia.
2. Regularne i prawidłowe czyszczenie pomoże zapewnić bezpieczne użytkowanie i przedłużyć żywotność maszyny.
3. Przed przystąpieniem do użytkowania sprawdzić maszynę pod kątem uszkodzeń i oznak zużycia. Nie używać w przypadku stwierdzenia uszkodzenia lub zużycia części.



OSTRZEŻENIE! NAPRAWY I PRACE KONSERWACYJNE NALEŻY WYKONYWAĆ WYŁĄCZNIE ZGODNIE Z NINIEJSZĄ INSTRUKCJĄ! INNE CZYNNOŚCI MOGĄ BYĆ WYKONYWANE TYLKO PRZEZ WYKWALIFIKOWANEGO SPECJALISTĘ!

Ogólne informacje dotyczące czyszczenia

1. Czyścić maszynę zwilżoną ściereczką i mydłem o neutralnym pH. W trudno dostępnych miejscach należy użyć szczotki.
2. Po każdym użyciu wyczyścić otwory wentylacyjne przy użyciu szmatki i szczotki.

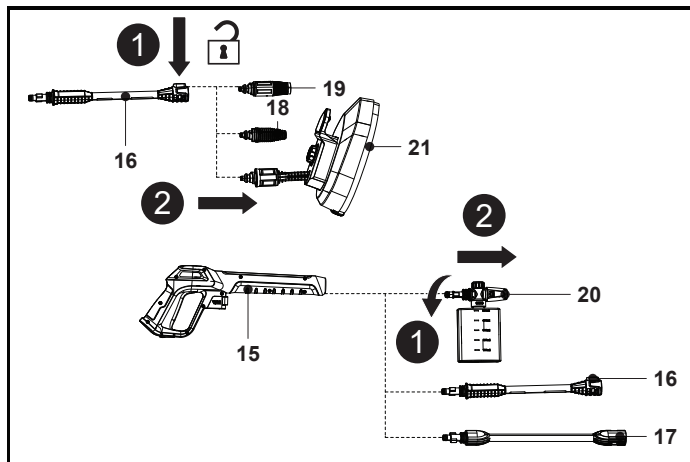


UWAGA: Do czyszczenia nie należy używać środków chemicznych, alkalicznych, ściernych ani innych silnych detergentów lub środków dezynfekujących, ponieważ mogą one uszkodzić powierzchnię produktu.

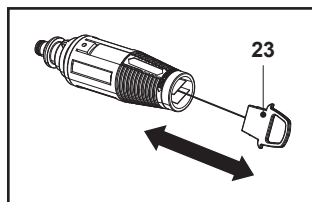
3. Sprawdzić pod kątem uszkodzeń i zużycia. Przed kolejnym użyciem naprawić uszkodzenia zgodnie z niniejszą instrukcją obsługi lub oddać maszynę do naprawy w autoryzowanym centrum serwisowym.
4. W razie potrzeby wymienić dwa pierścienie O-ring ($\varnothing 10$) (24) na wężu ciśnieniowym (13) oraz pierścieni O-ring ($\varnothing 12$) (25) na adapterze przyłącza wody (22).

Czyszczenie dyszy

1. Odłączyć dyszę (18/19/21) od lancy przedłużającej (16); odłączyć dyszę z butelką na detergent (20), lancę przedłużającą (16), drążek przedłużający (17) od pistoletu natryskowego (15) (rys. 19).
2. Usunąć zabrudzenia z otworu dyszy przy użyciu igły (23) (rys. 20).



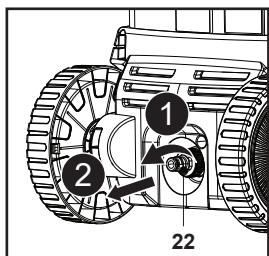
Rys. 19



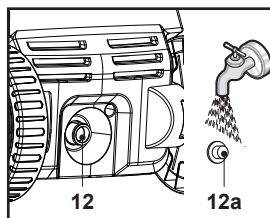
Rys. 20

Czyszczenie filtra

1. Odłączyć adapter przyłącza wody (22) od przyłącza wlotu wody (12) (rys. 21).
2. Wyjąć filtr (12a) z przyłącza wlotu wody (12) i opłukać go pod bieżącą wodą, aby usunąć wszelkie zanieczyszczenia (rys. 22). Następnie ponownie zamontować filtr (12a).
3. Sprawdzać filtr (12a) przed każdym użyciem i w razie potrzeby go wymienić.



Rys. 21



Rys. 22

Wąż ciśnieniowy

Po użyciu myjki ciśnieniowej należy zwinąć wąż ciśnieniowy (13). Kierunek zwijania powinien być taki sam jak kierunek pierwotny.



UWAGA: Zwijanie w przeciwnym kierunku spowoduje uszkodzenie węża ciśnieniowego.

Odkamienianie

Z biegiem czasu — zależnie od właściwości używanej wody — w urządzeniu i na akcesoriach osadza się kamień. Ilość osadu (a tym samym wymagana częstotliwość odkamieniania) zależy od twardości wody oraz częstotliwości używania urządzenia. Aby ustalić stopień twardości wody, należy skontaktować się z lokalnym zakładem wodociągowym.



UWAGA: Do odkamieniania należy używać wody z dodatkiem kwasu cytrynowego lub octu. Substancje te łatwo ulegają biodegradacji i są przyjazne dla środowiska!

1. Przygotować w odpowiednim naczyniu (np. w misce) roztwór składający się z jednej części octu kuchennego oraz dwóch części gorącej wody (≤ 50 °C).
2. Umieścić w roztworze odłączone akcesoria.
3. Pozostawić akcesoria w roztworze na ok. 12 godzin.
4. Opłukać akcesoria czystą wodą.

Smarowanie

Mylka ciśnieniowa jest wyposażona w układ stałego smarowania. Standardowe kontrole i wymiany oleju nie są wymagane.



UWAGA: Niewielki wyciek oleju stanowi normalne zjawisko.

Konserwacja

Przed każdym użyciem i po użyciu sprawdzić urządzenie i akcesoria pod kątem zużycia i uszkodzeń. W razie potrzeby wymienić je na nowe zgodnie ze wskazówkami zawartymi w niniejszej instrukcji. Przestrzegać wymagań technicznych.

Przewód zasilania

Jeśli przewód zasilania tego elektronarzędzia jest uszkodzony, należy go wymienić na specjalnie przygotowany przewód zasilania dostępny za pośrednictwem naszej organizacji serwisowej.

Części zamienne

Wymienione poniżej części mogą być wymieniane przez klienta. Części zamienne są dostępne u autoryzowanego dealera oraz w naszym dziale obsługi klienta.

Opis	Nr modelu lub parametry techniczne
Pistolet natryskowy (15)	Pistolet YLG22
Lanca przedłużająca (16)	Lanca przedłużająca YLG22
Drażek przedłużający (17)	Drażek przedłużający do szczotki do tarasów
Dysza turbo (18)	Dysza turbo YLG21
Dysza wielofunkcyjna (19)	Dysza wielofunkcyjna YLG21
Dysza z butelką na detergent (20)	Pianownica YLG204
Szczotka do tarasów (21)	Szczotka do tarasów YLS12
Adapter przyłącza wody (22)	Krótki czarny wlot wody

Naprawa

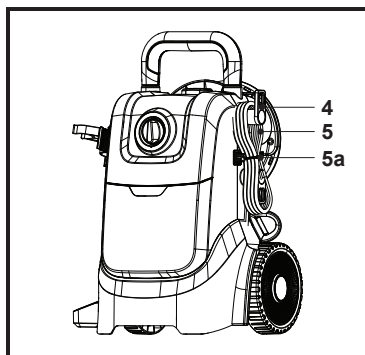
Maszyna nie zawiera żadnych części, które użytkownik byłby w stanie samodzielnie naprawić. W celu przeprowadzenia kontroli i naprawy należy skontaktować się z autoryzowanym centrum serwisowym lub wykwalifikowanym specjalistą.

Przechowywanie

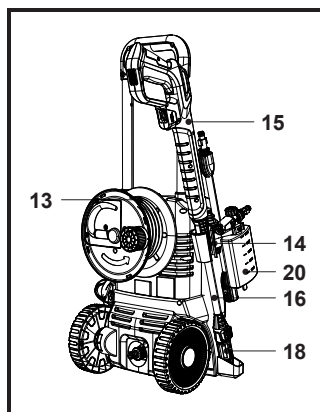
1. Wyłączyć maszynę i odłączyć ją od zasilania.
2. Wyczyścić maszynę w sposób opisany powyżej.
3. Maszynę i jej akcesoria należy przechowywać w ciemnym, suchym, dobrze wentylowanym miejscu, w którym nie występują ujemne temperatury.
4. Należy zawsze przechowywać maszynę w miejscu niedostępnym dla dzieci. Optymalna temperatura przechowywania wynosi od 10 °C do 30 °C.
5. Zalecamy przechowywanie maszyny w oryginalnym opakowaniu lub osłonięcie jej odpowiednią tkaniną, aby chronić ją przed zakurzeniem.

Transportowanie

1. Przed transportem maszyny należy ją wyłączyć, a także odłączyć wtyczkę od źródła zasilania.
2. Nawinąć przewód zasilania (5) wokół dwóch haków przewodu (4) i unieruchomić go przy użyciu dołączonego zaczepu przewodu (5a) (rys. 23).
3. Zwinąć wąż ciśnieniowy (13) i schować pistolet natryskowy (15), lancę przedłużającą (16), dyszę z butelką na detergent (20) oraz dyszę (18/19) (rys. 24).
4. Maszynę należy zawsze transportować przy użyciu uchwytu transportowego (1) i tylnych kół (8).
5. Chronić maszynę przed mocnymi uderzeniami i drganiami, które mogą wystąpić podczas transportowania pojazdami.
6. Zamocować maszynę w taki sposób, aby zapobiec jej zsunięciu lub przewróceniu się, uszkodzeniom oraz obrażeniom.



Rys. 23



Rys. 24

Rozwiązywanie problemów

Domniemane usterki są często spowodowane czynnikami, które użytkownik może usunąć samodzielnie. Dlatego należy sprawdzić urządzenie, korzystając z informacji podanych w niniejszym rozdziale. W większości przypadków problem można szybko rozwiązać.



OSTRZEŻENIE! NALEŻY WYKONYWAĆ WYŁĄCZNIE CZYNNOŚCI OPISANE W NINIEJSZEJ INSTRUKCJI! JEŚLI UŻYTKOWNIK NIE MOŻE SAM ROZWIĄZAĆ PROBLEMU, WSZYSTKIE DODATKOWE CZYNNOŚCI KONTROLNE, KONSERWACYJNE I NAPRAWCZE MUSZĄ ZOSTAĆ WYKONANE PRZEZ AUTORYZOWANY SERWIS LUB WYKWALIFIKOWANEGO SPECJALISTĘ!

Problem	Możliwa przyczyna	Rozwiązanie
1. Urządzenie nie uruchamia się	1.1. Nie podłączono do zasilania 1.2. Przewód zasilania lub wtyczka są uszkodzone 1.3. Inna usterka elektryczna	1.1. Podłączyć do zasilania 1.2. Zlecić kontrolę wykwalifikowanemu elektrykowi 1.3. Zlecić kontrolę wykwalifikowanemu elektrykowi
2. Pompa nie osiąga pełnej mocy	2.1. Nieodpowiedni przedłużacz 2.2. Zbyt niskie napięcie źródła zasilania (np. generatora) 2.3. Otwory wentylacyjne są zablokowane 2.4. Dysza jest zużyta 2.5. Filtr jest niedrożny 2.6. Ciśnienie dopływu wody jest niskie 2.7. Do układu zasysane jest powietrze 2.8. W pompie znajduje się powietrze 2.9. Dysza wielofunkcyjna nie jest prawidłowo ustawiona	2.1. Użyć odpowiedniego przedłużacza 2.2. Podłączyć do innego źródła zasilania 2.3. Oczyszczyć otwory wentylacyjne 2.4. Wymienić dyszę 2.5. Wyczyścić filtr w adapterze przyłącza wody 2.6. Całkowicie otworzyć zawór dopływu wody 2.7. Sprawdzić szczelność złązek węża 2.8. Wyłączyć maszynę, a następnie naciskać i zwalniać spust pistoletu, aż woda zacznie wypływać regularnym strumieniem. Ponownie włączyć maszynę. 2.9. Przesłać dyszę wielofunkcyjną z szerokiego strumienia wachlarzowego na skoncentrowany strumień punktowy

Problem	Możliwa przyczyna	Rozwiązanie
3. Spadki ciśnienia podczas użytkowania	3.1. Woda jest pobierana z zewnętrznego zbiornika 3.2. Temperatura wody na wlocie jest zbyt wysoka 3.3. Dysza jest zatkana 3.4. Filtr wlotowy jest zabrudzony	3.1. Podłączyć maszynę do instalacji wodociągowej 3.2. Zmniejszyć temperaturę wody 3.3. Wyczyścić dyszę 3.4. Wyczyścić filtr w adapterze przyłącza wody
4. Duże wahania ciśnienia	4.1. Ciśnienie dopływu wody jest zbyt niskie 4.2. Filtr wlotowy jest zabrudzony 4.3. Do układu zasysane jest powietrze	4.1. Całkowicie otworzyć zawór dopływu wody 4.2. Wyczyścić filtr w adapterze przyłącza wody 4.3. Sprawdzić szczelność złączy węża
5. Wyciek wody z maszyny	5.1. Uszczelka jest zużyta	5.1. Wymienić uszczelkę
6. Nadmierne drgania lub zbyt głośna praca	6.1. Niskie ciśnienie dopływu wody 6.2. Problemy z silnikiem 6.3. Poluzowane śruby i nakrętki	6.1. Całkowicie otworzyć zawór dopływu wody 6.2. Zlecić kontrolę wykwalifikowanemu elektrykowi 6.3. Dokręcić śruby i nakrętki

Recykling i utylizacja



Ten symbol jest znany jako „symbol przekreślonego pojemnika na odpady”. Jeśli ten symbol jest umieszczony na produkcie lub baterii/akumulatorze, oznacza to, że nie należy wyrzucać ich wraz ze zwykłymi odpadami komunalnymi. Niektóre chemikalia znajdujące się w sprzętach elektrycznych/elektronicznych lub bateriach/akumulatorach mogą być szkodliwe dla zdrowia i środowiska. Elementy elektryczne/elektroniczne oraz baterie/akumulatory należy oddać do odpowiednich punktów zbiórki odpadów, które zapewniają możliwość odzysku i recyklingu zawartych w nich materiałów. Współpraca użytkownika ma zasadnicze znaczenie dla prawidłowego funkcjonowania tych punktów zbiórki i ochrony środowiska.

Produkt jest dostarczany w opakowaniu, które chroni go przed uszkodzeniem w trakcie transportu. Należy zachować opakowanie do czasu upewnienia się, że wszystkie części zostały dostarczone, a urządzenie działa prawidłowo. Następnie można przekazać opakowanie do recyklingu.

Gwarancja

Przykładamy szczególną wagę do tego, aby wybierać materiały wysokiej jakości i stosować techniki produkcyjne, które umożliwiają tworzenie wytrzymałych, a zarazem atrakcyjnych produktów. Ten produkt ma gwarancję producenta na 2 lat, która obejmuje wady produkcyjne, począwszy od daty zakupu (zakup w sklepie) lub dostawy (zakup przez Internet) bez dodatkowych kosztów w przypadku normalnego (nieprofesjonalnego lub niekomercyjnego) użytku domowego.

Aby dokonać zgłoszenia reklamacyjnego, należy przedstawić dowód zakupu (np. paragon, fakturę lub inny dowód na mocy obowiązujących przepisów prawa). Dowód zakupu należy przechowywać w bezpiecznym miejscu. Gwarancja obejmuje produkty nowe; nie obejmuje produktów używanych lub z ekspozycji. Produkt zamienny objęty niniejszą gwarancją będzie nią objęty aż do wygaśnięcia okresu obowiązywania gwarancji oryginalnego produktu, chyba że określono inaczej w obowiązujących przepisach prawa.

Niniejsza gwarancja obejmuje wady i uszkodzenia produktu, pod warunkiem że produkt był używany zgodnie z przeznaczeniem oraz zamontowany, czyszczony i konserwowany zgodnie z informacjami zawartymi powyżej oraz w instrukcji obsługi, a także ze standardowymi praktykami (jeśli te praktyki nie są sprzeczne z instrukcją użytkownika).

Niniejsza gwarancja nie obejmuje wad ani uszkodzeń wynikających z normalnego zużycia lub uszkodzeń będących skutkiem niewłaściwego użytkowania, montażu lub złożenia, a także zaniedbania, wypadku i modyfikacji produktu. Gwarancja nie obejmuje w żadnym wypadku dodatkowych kosztów (transportu, przenoszenia, montażu i demontażu, robocizny itd.) ani strat bezpośrednich lub pośrednich, chyba że określono inaczej w obowiązujących przepisach prawa.

Niniejsza gwarancja nie obejmuje usterek i uszkodzeń spowodowanych następującymi czynnikami:

- Zwykłe zużywanie się, w tym zużywanie się akcesoriów
- Przeciążenie, niewłaściwe użytkowanie lub zaniedbanie
- Próba naprawy podjęta przez jakiegokolwiek osoby inne niż autoryzowany przedstawiciel
- Usterka dotycząca tylko estetyki narzędzia
- Uszkodzenia spowodowane ciałami lub substancjami obcymi, bądź będące następstwem wypadków
- Uszkodzenie spowodowane wypadkiem lub przeróbką
- Nieprzestrzeganie zaleceń producenta
- Utrata możliwości używania towarów

Jeśli produkt jest wadliwy, we właściwym czasie naprawimy, wymienimy, dokonamy zwrotu pieniędzy, przeprowadzimy serwis lub zapewnimy części zamienne.

Prawa wynikające z tej gwarancji obowiązują w kraju, w którym zakupiono produkt. Zapytania dotyczące gwarancji powinno się kierować do sklepu, w którym zakupiono produkt.

Niniejsza gwarancja jest dokumentem dodatkowym, który nie ma wpływu na ustawowe prawa konsumenta.

Jeśli produkt zakupiono w Polsce, niniejsza gwarancja nie wyklucza, nie ogranicza ani nie zawiesza uprawnień wynikających z przepisów prawa dotyczących gwarancji na wady zakupionego towaru.

WAŻNE – NALEŻY DOKŁADNIE PRZECZYTAĆ NINIEJSZE INFORMACJE I ZACHOWAĆ



(EN) EU DECLARATION OF CONFORMITY
(FR) DÉCLARATION UE DE CONFORMITÉ
(PL) DEKLARACJA ZGODNOŚCI UE
(RO) DECLARAȚIA DE CONFORMITATE UE
(ES) DECLARACIÓN UE DE CONFORMIDAD
(PT) DECLARAÇÃO DE CONFORMIDADE UE

Product/Produit/Produkt/Produsul/Producto/Produto

- Electric high pressure washer 2200 W / Nettoyeur haute pression électrique 2200 W / Myjka ciśnieniowa elektryczna 2200 W / Aparat electric de spălat cu presiune de 2 200 W / Hidrolimpiadora eléctrica de 2200 W / Lavadora eléctrica de alta pressão 2200 W
- MCB1286PRW / TTB1288PRW
- SN: 000001-999999

Name and address of the manufacturer or his authorised representative:

Nom et adresse du fabricant ou de son mandataire:

Nazwa i adres producenta lub jego upoważnionego przedstawiciela:

Denumirea și adresa producătorului sau a reprezentantului său autorizat:

Nombre y dirección del fabricante o de su representante autorizado:

Nome e endereço do fabricante ou do respetivo mandatário:

Kingfisher International Products B.V.,
Rapenburgerstraat 175E,
1011 VM Amsterdam,
The Netherlands

This declaration of conformity is issued under the sole responsibility of the manufacturer.

La présente déclaration de conformité est établie sous la seule responsabilité du fabricant.

Niniejsza deklaracja zgodności wydana zostaje na wyłączną odpowiedzialność producenta.

Prezenta declarație de conformitate este emisă pe răspunderea exclusivă a producătorului.

La presente declaración de conformidad se expide bajo la exclusiva responsabilidad del fabricante.

A presente declaração de conformidade é emitida sob a exclusiva responsabilidade do fabricante.

Object of the declaration/Objet de la declaration/Przedmiot deklaracji/Obiectul declarației/Objeto de la declaración/Objeto da declaração

Product/Produit/Produkt/Produsul/Producto/Produto	Model/Modèle/Model/Modelul/Modelo/Modelo	EAN
Electric high pressure washer 2200 W / Nettoyeur haute pression électrique 2200 W / Myjka ciśnieniowa elektryczna 2200 W / Aparat electric de spălat cu presiune de 2 200 W / Hidrolimpiadora eléctrica de 2200 W / Lavadora eléctrica de alta pressão 2200 W	MCB1286PRW / TTB1288PRW	5063022719553 5063022719492 5063022719591 5063022719614

The object of the declaration described above is in conformity with the relevant Union harmonisation legislation:

L'objet de la déclaration décrit ci-dessus est conforme à la législation d'harmonisation de l'Union applicable:

Wymieniony powyżej przedmiot niniejszej deklaracji jest zgodny z odnośnymi wymaganiami unijnego prawodawstwa harmonizacyjnego:

Obiectul declarației descris mai sus este în conformitate cu legislația relevantă de armonizare a Uniunii:

El objeto de la declaración descrita anteriormente es conforme con la legislación de armonización pertinente de la Unión:

O objeto da declaração acima descrito está em conformidade com a legislação de harmonização da União aplicável:

2006/42/EC as amended Machinery Directive
2014/30/EU as amended Directive Electromagnetic compatibility
2011/65/EU, (EU) 2015/863 as amended Directive Restriction of the use of certain hazardous substances in electrical and electronic equipment
2012/19/EU as amended Waste Electrical and Electronic Equipment (WEEE)
Regulation (EC) No 1907/2006, concerning the Registration, Evaluation, Authorization and Restriction of Chemicals (REACH)

References to the relevant harmonised standards used or references to the other technical specifications in relation to which conformity is declared:

Références des normes harmonisées pertinentes appliquées, y compris la date de celles-ci, ou des autres spécifications techniques, y compris la date de celles-ci, par rapport auxquelles la conformité est déclarée: Odwołania do odnośnych norm zharmonizowanych, które zastosowano, wraz z datą normy, lub do innych specyfikacji technicznych, wraz z datą specyfikacji, w odniesieniu do których deklarowana jest zgodność:

Trimiteri la standardele armonizate relevante folosite, inclusiv data standardului, sau trimiteri la celelalte specificații tehnice, inclusiv data specificațiilor, în legătură cu care se declară conformitatea:

Referencias a las normas armonizadas pertinentes utilizadas, incluidas las fechas de las normas, o referencias a las otras especificaciones técnicas, incluidas las fechas de las especificaciones, respecto a las cuales se declara la conformidad:

Referências às normas harmonizadas aplicáveis utilizadas, incluindo a data da norma, ou às outras especificações técnicas, incluindo a data da especificação, em relação às quais é declarada a conformidade:

- EN 60335-1:2012+A11:2014+A13:2017+A1:2019+A2:2019+A14:2019+A15:2021+A16:2023
- EN 60335-2-79:2012
- EN 62233:2008
- EN IEC 55014-1:2021
- EN IEC 55014-2:2021
- EN IEC 61000-3-2:2019+A1:2021+A2:2024
- EN IEC 61000-3-11:2019

Authorised signatory and technical file holder/signataire et responsable de la documentation technique autorisé/podmiot uprawniony do wystawienia i adres przechowywania dokumentacji technicznej/semnatar autorizat și deținător al dosarului tehnic/firmante autorizado y titular del expediente tecnico/signatário autorizado e detentor da ficha técnica

Kingfisher International Products B.V.,
Rapenburgerstraat 175E,
1011 VM Amsterdam,
The Netherlands



David Awe
Group Quality & Sustainability Director

: [04/30/2022]

Producent:

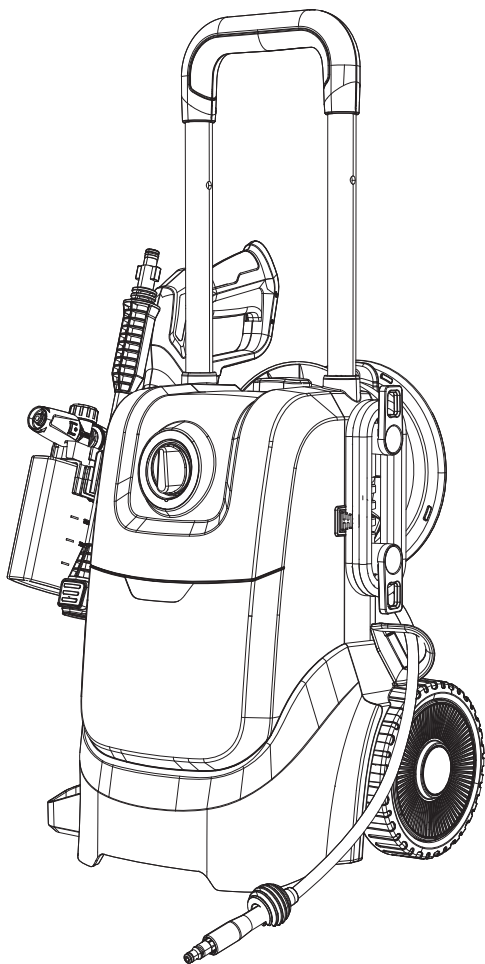
EU Manufacturer:

Kingfisher International Products B.V.,
Rapenburgerstraat 175E,
1011 VM Amsterdam,
The Netherlands

PL www.castorama.pl

**Aby zapoznać się z instrukcją obsługi online,
odwiedź stronę**

www.kingfisher.com/products



RO Aparat electric de
spălat cu presiune
de 2 200 W

RO INSTRUCȚIUNI ORIGINALE

IMPORTANT – Aceste instrucțiuni sunt pentru siguranța ta. Citește-le cu atenție înainte de a manevra produsul și păstrează-le pentru consultare ulterioară.

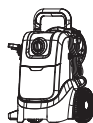
ATENȚIE: Citește instrucțiunile înainte de a utiliza aparatul!



MCB1286PRW
5063022719553
5063022719492
TTB1288PRW
5063022719591
5063022719614

V11025_5063022719553_MAND4_2425_RP0539

RO Piese



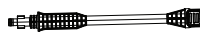
01. x1



02. x1



03. x1



04. x1



05. x1



06. x1



07. x1



08. x1



09. x1



10. x1



11. x1



12. x1



13. x1



14. x3
(Ø5,1 x 1,8, x2)
(Ø11,5 x 2,5, x1)



15. x1
(ST3,5 x 13)

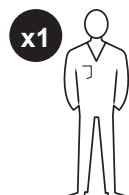


16. x2
(ST4,8 x 16 cu
cap șurub mare)



17. x1

RO Vei avea nevoie de



x1

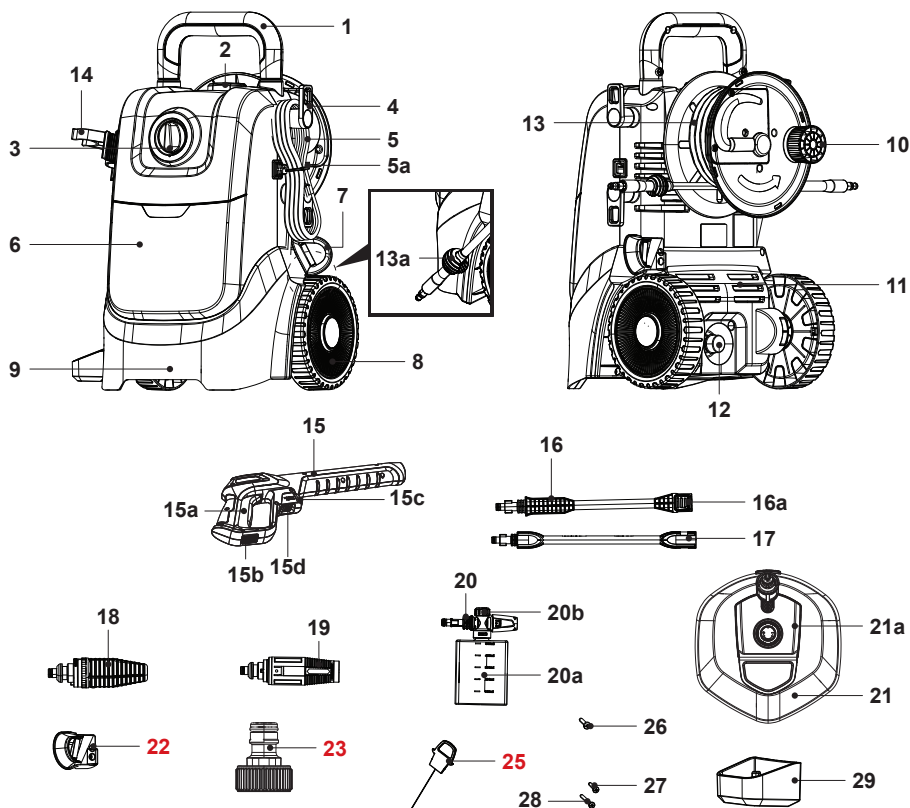
(articole nefurnizate)

- Echipament individual de protecție adecvat
- Cablu prelungitor adecvat pentru utilizare la exterior
- Furtun de grădină cu filtru și cuplaj
- Detergent adecvat
- Șurubelniță cu cap în cruce adecvată

RO Cuprins

RO	
Descrierea produsului	3
Siguranță	4
Pregătire	15
Asamblare	16
Funcții și setări	21
Utilizare	27
Îngrijire și întreținere	30
Garanție	35
Declarație de conformitate	37

RO Descrierea produsului



- | | | |
|--|-------------------------------|--|
| 1. Mâner de transport | 13. Furtun cu presiune | 20. Duză pentru recipientul cu detergent |
| 2. Buton de blocare a mânerului | a. Inel de fixare | a. Recipient |
| 3. Comutator rotativ de pornire / oprire (I/O) | 14. Suport de suspendare | b. Buton de reglare pentru detergent |
| 4. Suport de cablu (x2) | 15. Pistol pulverizator | 21. Perie de curățat terase |
| 5. Cablu de alimentare cu ștecă | a. Declanșator | a. Buton de reglare a debitului |
| a. Clemă de cablu | b. Piedică declanșator | 22. Adaptor de admisie a apei |
| 6. Carcasa motorului | c. Manetă de eliberare rapidă | 23. Ac |
| 7. Ghidaj pentru furtun | d. Racord furtun | 24. Garnitură inelară (Ø5,1 x 1,8) (x2) |
| 8. Roată spate (x2) | 16. Extensie de lance | 25. Garnitură inelară (Ø11,5 x 2,5) |
| 9. Picior frontal (x2) | a. Buton de blocare | 26. Șurub (ST3,5 x 13) |
| 10. Buton pentru tamburul de furtun | 17. Tijă extensibilă | 27. Șurub (ST4,8 x 16) |
| 11. Fante de aerisire | 18. Duză turbo | 28. Șurub (ST4,8 x 16 cu cap șurub mare) |
| 12. Racord admisie apă | 19. Duză reglabilă | 29. Suport pentru pistol |



Avertismente de siguranță generale privind produsul



AVERTISMENT! PARCURE TOATE AVERTISMENTELE DE SIGURANȚĂ, INSTRUCȚIUNILE, ILUSTRAȚIILE ȘI SPECIFICAȚIILE FURNIZATE ÎMPREUNĂ CU ACEST PRODUS ELECTRIC. NERESPECTAREA TUTUROR INSTRUCȚIUNILOR ENUMERATE MAI JOS POATE DUCE LA ELECTROCUTARE, INCENDIU ȘI / SAU RĂNIRE GRAVĂ.

PĂSTREAZĂ TOATE AVERTISMENTELE ȘI INSTRUCȚIUNILE PENTRU CONSULTARE ULTERIOARĂ.

TERMENUL „PRODUS ELECTRIC” DIN AVERTISMENTE SE REFERĂ ATÂT LA PRODUSELE ELECTRICE CU ALIMENTARE DE LA REȚEA (CU FIR), CÂT ȘI LA CELE CU ACUMULATOR (FĂRĂ FIR).

Siguranța în spațiul de lucru

- **Păstrează zona de lucru curată și bine luminată.** Zonele aglomerate sau întunecate favorizează producerea de accidente.
- **Nu utiliza produsul în medii explozive, de exemplu în prezența lichidelor, gazelor sau prafurilor inflamabile.** Produsele produc scântei care pot aprinde praful sau vaporii.
- **Ține copiii și persoanele din preajmă la distanță în timp ce utilizezi produsul.** Distragerea atenției poate cauza pierderea controlului asupra produsului.

Siguranța din punct de vedere electric

- **Ștecărele produsului trebuie să se potrivească cu priza. Nu modifica niciodată ștecărele. Nu utiliza un adaptor pentru ștecăr cu produsele cu împământare (legate la masă).** Folosirea ștecărelor nemodificate și a prizelor adecvate va reduce riscul de electrocutare.
- **Evită contactul corpului cu suprafețele cu împământare sau legate la masă, cum ar fi țevile, radiatoarele, aragazele și frigidererele.** Riscul de electrocutare crește când corpul tău este legat la masă sau la pământ.
- **Nu utiliza cablul în mod necorespunzător. Nu utiliza niciodată cablul pentru a transporta, a trage sau a scoate din priză produsul. Ține cablul la distanță de căldură, ulei, muchii ascuțite sau piese mobile.** Cablurile deteriorate sau încurcate măresc riscul de electrocutare.
- **Când utilizezi un produs afară, folosește un cablu prelungitor adecvat pentru exterior.** Folosirea unui cablu adecvat pentru exterior reduce riscul de electrocutare.
- **Dacă nu se poate evita utilizarea produsului într-un loc cu umezeală, folosește o sursă de alimentare protejată de o siguranță automată cu protecție diferențială (RCD).** Utilizarea unei RCD reduce riscul de electrocutare.

Avertismente de siguranță suplimentare pentru aparatul de spălat cu presiune:

- Acest aparat poate fi folosit de persoane cu capacități fizice, senzoriale sau mintale reduse ori fără experiență și cunoștințe numai sub supraveghere sau dacă au beneficiat de instruire cu privire la utilizarea în siguranță a aparatului și dacă înțeleg pericolele aferente.
- Aparatul nu trebuie utilizat de copii.
- Copiii trebuie supravegheați pentru a avea siguranța că nu se joacă cu produsul.

- Verifică periodic cablul de alimentare pentru a depista deteriorările. Dacă se deteriorează, cablul de alimentare trebuie înlocuit de producător, de agentul de service sau de persoane cu un nivel de calificare similar, pentru a evita situațiile periculoase.
- Poartă echipament individual de protecție (EIP) adecvat când lucrezi, de ex. bocanci și mănuși de protecție, cască de protecție cu vizieră, protecție pentru auz etc.



AVERTISMENT! CABLURILE PRELUNGITOARE NEADECVATE POT FI PERICULOASE. DACĂ SE FOLOSEȘTE UN CABLU PRELUNGITOR, ACESTA TREBUIE SĂ FIE ADECVAT PENTRU EXTERIOR, IAR CONEXIUNEA TREBUIE PĂSTRATĂ USCATĂ ȘI RIDICATĂ DE LA SOL. SE RECOMANDĂ SĂ SE FACĂ ACEST LUCRU CU O ROLĂ DE CABLU CARE ȚINE PRIZA LA CEL PUȚIN 60 MM DEASUPRA SOLULUI.



AVERTISMENT! SCOATE ȘTECĂRUL DIN PRIZĂ ȘI DECONECTEAZĂ DE LA SURSA DE ALIMENTARE ÎN TIMPUL CURĂȚĂRII SAU ÎNTREȚINERII ȘI CÂND ÎNLOCUIEȘTI PIESELE SAU SCHIMBI FUNCȚIA APARATULUI.

- Nu atinge ștecărul sau priza cu mâinile umede. Conexiunea la sursa de curent trebuie făcută de un electrician calificat și să fie conformă cu IEC 60364-1. Se recomandă ca sursa de curent a acestui aparat să includă fie o siguranță automată cu protecție diferențială (RCD) care să întrerupă alimentarea dacă scurgerea de curent la pământ depășește 30 mA timp de 30 ms, fie un dispozitiv care să testeze circuitul de împământare.



AVERTISMENT! OPREȘTE ÎNTOTDEAUNA PRODUSUL DE LA COMUTATORUL DE DECONECTARE A ALIMENTĂRII CÂND ÎL LAȘI NESUPRAVEGHEAT.

- Nu transporta niciodată aparatul ținându-l de cablu. Nu trage de cablu pentru a scoate aparatul din priză.



AVERTISMENT! ÎN TIMPUL FOLOSIRII APARATELOR DE SPĂLAT CU PRESIUNE SE POT FORMA AEROSOLI. INHALAREA AEROSOLILOR POATE DĂUNA SĂNĂTĂȚII.



AVERTISMENT! RĂNIRILE CAUZATE DE JETUL DE APĂ CU PRESIUNE RIDICATĂ SUNT CONSIDERATE URGENȚE MEDICALE. DACĂ ARE LOC O RĂNIRE CAUZATĂ DE JETUL DE APĂ CU PRESIUNE RIDICATĂ, CONSULTĂ IMEDIAT UN MEDIC.



AVERTISMENT! ESTE INTERZISĂ UTILIZAREA APARATELOR DE SPĂLAT CU PRESIUNE PE MATERIALE CARE CONȚIN AZBEST (ACOPERIȘURI DIN PLĂCI DE CIMENT, GARDURI, PEREȚI ETC.). ÎN AER SE POATE ELIBERA O CANTITATE MARE DE FIBRE DE AZBEST, CEEA CE CONSTITUIE UN PERICOL MARE PENTRU SĂNĂTATE. DACĂ NU EȘTI SIGUR ÎN LEGĂTURĂ CU MATERIALELE PE CARE PULVERIZEZI, SE RECOMANDĂ SĂ CONTACTEZI CONSILIUL LOCAL SAU AUTORITĂȚILE LOCALE.



AVERTISMENT! APARATELE DE SPĂLAT CU PRESIUNE NU TREBUIE FOLOSITE DE COPII SAU PERSOANE NEINSTRUITE ÎN ACEST SENS.

- Controlul inadecvat al pistolului / lăncii poate duce la vătămarea proprie sau a altor persoane și la pagube materiale. Forța reactivă de la jet poate duce la mișcarea pistolului / lăncii, ceea ce poate genera situații în care operatorul să alunece, să cadă sau să direcționeze greșit jetul.



AVERTISMENT! FAMILIARIZEAZĂ-TE CU FUNCȚIONAREA ȘI COMENZILE APARATULUI DE SPĂLAT CU PRESIUNE. NU FOLOSI APARATUL ÎN CAZ DE DETERIORARE A CABLULUI DE ALIMENTARE SAU A ALTOR COMPONENTE IMPORTANTE, DE EXEMPLU DISPOZITIVE DE SIGURANȚĂ, FURTUNURI CU PRESIUNE RIDICATĂ ORI PISTOL DE DECLANȘARE.

- Nu modifica și nu îndepărta niciodată dispozitivele de siguranță ale acestui aparat. Nu opera aparatul dacă are piese lipsă, deteriorate sau neautorizate.
- Nu lăsa niciodată lancea nesupravegheată când aparatul este în funcțiune.
- Nu înnoda și nu îndoi niciodată furtunul cu presiune ridicată, deoarece se pot produce daune.
- Păstrează zona de lucru liberă de obstacole.
- Stai pe o suprafață stabilă și prinde bine pistolul / lancea cu ambele mâini. Presiunea ridicată poate face obiectele să ricoșeze. Dacă este necesar, poartă echipament individual de protecție adecvat, cum ar fi ochelari de protecție.
- Anvelopele vehiculelor și supapele anvelopelor pot fi curățate doar de la o distanță minimă de 30 cm pentru a evita daunele cauzate de jetul cu presiune ridicată. Primul semn de deteriorare este decolorarea anvelopei. Dacă sunt deteriorate, anvelopele vehiculelor și supapele anvelopelor pun în pericol viața.



AVERTISMENT! RISC DE EXPLOZIE – NU PULVERIZA LICHIDE INFLAMABILE, CUM AR FI BENZINĂ, PĂCURĂ, KEROSEN, SOLVENȚI SAU DILUANȚI. NERESPECTAREA ACESTUI AVERTISMENT POATE DUCE LA VĂTĂMĂRI CORPORALE GRAVE, DECES ȘI / SAU PAGUBE MATERIALE.



AVERTISMENT! ACEST APARAT A FOST CONCEPUT PENTRU UTILIZARE CU AGENȚII DE CURĂȚARE FURNIZAȚI SAU RECOMANDAȚI DE PRODUCĂTOR. FOLOSIREA ALTOR AGENȚI DE CURĂȚARE SAU SUBSTANȚE CHIMICE POATE AFECTA NEGATIV SIGURANȚA APARATULUI.



AVERTISMENT! NU UTILIZA APARATUL ÎN APROPIEREA ALTOR PERSOANE DECÂT DACĂ ACESTEA POARTĂ ÎMBRĂCĂMINTE DE PROTECȚIE.



AVERTISMENT! JETURILE CU PRESIUNE RIDICATĂ POT FI PERICULOASE DACĂ SUNT FOLOSITE NECORESPUNZĂTOR. JETUL NU TREBUIE ÎNDREPTAT CĂTRE OAMENI, ANIMALE, ECHIPAMENTE ELECTRICE SUB TENSIUNE SAU SPRE APARAT ÎN SINE. NU ÎNDREPTA JETUL SPRE TINE SAU SPRE ALȚII PENTRU A CURĂȚA HAINELE SAU ÎNCĂLȚĂMINTEA.



AVERTISMENT! PENTRU A UTILIZA PRODUSUL ÎN SIGURANȚĂ, FOLOSEȘTE NUMAI PIESE DE SCHIMB ORIGINALE DE LA PRODUCĂTOR SAU APROBATE DE ACESTA.



AVERTISMENT! FURTUNURILE CU PRESIUNE RIDICATĂ, ELEMENTELE DE MONTARE ȘI CUPLAJELE SUNT IMPORTANTE PENTRU SIGURANȚA APARATULUI. FOLOSEȘTE NUMAI FURTUNURI, ELEMENTE DE MONTARE ȘI CUPLAJE RECOMANDATE DE PRODUCĂTOR.



AVERTISMENT! ACEST APARAT NU TREBUIE RACORDAT LA SURSA DE APĂ POTABILĂ FĂRĂ O SUPAPĂ ANTIRETUR. VERIFICĂ REGLEMENTĂRILE LOCALE ȘI NAȚIONALE PRIVIND CONDUCTELE ÎNAINTE DE A RACORDA PRODUSUL LA SURSA DE APĂ POTABILĂ. APA CARE A TRECUT PRINTR-O SUPAPĂ ANTIRETUR TREBUIE CONSIDERATĂ NEPOTABILĂ.



AVERTISMENT! ÎN FUNCȚIE DE ÎNTREBUINȚARE, PENTRU CURĂȚAREA LA PRESIUNE RIDICATĂ SE POT UTILIZA DUZE ECRANATE, CEEA CE VA REDUCE DRAMATIC EMISIILE DE AEROSOLI HIDRICI. CU TOATE ACESTE, NU ÎN TOATE SITUAȚIILE ESTE ADECVATĂ UTILIZAREA UNUI ASTFEL DE DISPOZITIV. DACĂ DUZELE ECRANATE NU SUNT ADECVATE PENTRU PROTECȚIA ÎMPOTRIVA AEROSOLILOR, POATE FI NECESARĂ PURTAREA UNEI MĂȘTI RESPIRATORII DIN CLASA FFP 2 SAU ECHIVALENTĂ, ÎN FUNCȚIE DE MEDIUL DE CURĂȚARE.

În caz de urgență

Folosește acest manual de instrucțiuni pentru a te familiariza cu utilizarea produsului. Memorează instrucțiunile de siguranță și respectă-le cu strictețe. Astfel, vei preveni apariția riscurilor și a pericolelor.

- **Fii întotdeauna foarte atent când utilizezi acest produs, astfel încât să poți recunoaște și gestiona din timp riscurile.** Intervenția rapidă poate preveni rănirea gravă și pagubele materiale.
- **Oprește produsul și deconectează ștecărul de la sursa de alimentare dacă apar defecțiuni.** Înainte de a reutiliza produsul, solicită unui specialist calificat să îl verifice și, dacă este cazul, să îl repare.

Riscuri reziduale

Chiar dacă operezi produsul în conformitate cu toate cerințele de siguranță, riscurile de leziuni corporale și pagube materiale nu dispar în totalitate. Iată ce pericole pot decurge din structura și designul acestui produs:













- Pericole pentru sănătatea utilizatorului cauzate de emisiile de vibrații dacă produsul este utilizat pe perioade îndelungate sau nu este gestionat și întreținut corespunzător.
- Leziuni corporale și pagube materiale cauzate de accesorii defecte sau impactul brusc cu obiecte ascunse în timpul utilizării.
- Pericol de rănire și pagube materiale cauzate de obiecte proiectate în aer sau de accesorii în stare necorespunzătoare.



AVERTISMENT! ACEST PRODUS GENEREAZĂ UN CÂMP ELECTROMAGNETIC ÎN TIMPUL FUNCȚIONĂRII! ÎN ANUMITE CONDIȚII, ACEST CÂMP POATE INTERFERA CU IMPLANTURILE MEDICALE ACTIVE SAU PASIVE! PENTRU A REDUCE RISCUL DE LEZIUNI GRAVE SAU CHIAZ MORTALE, LE RECOMANDĂM PERSOANELOR CU IMPLANTURI MEDICALE SĂ CONSULTE MEDICUL ȘI PRODUCĂTORUL IMPLANTULUI ÎNAINTE DE A UTILIZA ACEST PRODUS!

Simboluri

Pe produs, pe eticheta energetică și în aceste instrucțiuni vei găsi, printre altele, următoarele simboluri și prescurtări. Familiarizează-te cu ele pentru a reduce riscurile precum leziunile corporale și pagubele materiale.

V ~	Volt, (tensiune alternativă)	Hz	Hertz
W	Watt	l/h	Litri pe oră
mm	Milimetru	m	Metru
g	Gram	kg	Kilogram
MPa	Megapascal, unitate de presiune	bar	Unitate de presiune
N	Newton	kWh/an	Kilowați-oră pe an
dB(A)	Decibel (clasa A)	m/s ²	Metri pe secundă la pătrat
	Blochează / pentru a strânge sau fixa.		Deblochează / pentru a slăbi.
	Citește manualul de instrucțiuni.		
	Notă / Remarcă.		Atenționare / Avertisment.
yyWxx	Codul datei de fabricație; anul fabricației (20yy) și săptămâna fabricației (Wxx).		
IPX5	Protecție împotriva jeturilor de apă.		
	Poartă întotdeauna protecție pentru urechi.		
	Poartă întotdeauna protecție pentru ochi.		
	Poartă o mască antipraf.		
	Poartă mănuși de protecție.		
	Poartă încălțăminte de protecție antiderapantă.		
	Poartă îmbrăcăminte de protecție strânsă pe corp.		
	Oprește produsul și deconectează-l de la sursa de alimentare înainte de asamblare, curățare, reglare, întreținere, depozitare și transport.		



Scoate imediat din priză ștecărul în cazul în care cablul de alimentare sau prelungitorul se încurcă, se deteriorează sau este tăiat. **NU ATINGE CABLUL ÎNAINTE DE A DECONECTA ALIMENTAREA.**



Obiectele proiectate de produs pot lovi utilizatorul sau alte persoane din jur. Ai mereu grijă ca alte persoane și animalele de companie să stea la o distanță sigură față de mașină atunci când este în funcțiune. În general, trebuie interzis accesul copiilor în zona în care funcționează produsul.



Acest aparat nu este adecvat pentru racordarea la sursa de apă potabilă.



Nu îndrepta niciodată jetul de apă către oameni, animale, echipamente electrice sub tensiune sau spre produs în sine.



Acest produs face parte din clasa de protecție II. Aceasta înseamnă că este echipat cu izolație avansată sau dublă.



Nivel de putere sonoră garantat 92 dB(A).



Simbol DEEE. Produsele electrice uzate nu trebuie eliminate împreună cu gunoiul menajer. Acolo unde există facilitățile necesare, reciclează. Pentru sfaturi privind reciclarea, consultă autoritatea locală sau magazinul local.



Produsul respectă directivele europene aplicabile și a fost efectuată o evaluare a conformității cu acestea.

Specificații tehnice

General

- > **Tensiune și frecvență nominală** : 230-240 V~, 50 Hz
- > **Putere nominală de intrare** : 2 200 W
- > **Presiune nominală $P_{\text{nominală}}$** : 10,5 MPa (105 bar)
- > **Presiune admisibilă P_{max}** : 15,5 MPa (155 bar)
- > **Debit nominal Q_{nominal}** : 360 l/h
- > **Debit maxim Q_{max}** : 460 l/h
- > **Presiune maximă de intrare $P_{\text{IN MAX}}$** : 1 MPa (10 bar)
- > **Temperatură maximă a apei** : 50 °C
- > **Consum anual de energie** : 30 kWh/an
- > **Forță de recul la mâner** : < 20 N
- > **Clasă de protecție** : II / □
- > **Grad de protecție** : IPX5
- > **Greutate** : aprox. 11,2 kg (net)
aprox. 13,6 kg (brut)
- > **Lungimea furtunului cu presiune** : aprox. 8 m
- > **Lungimea cablului de alimentare** : aprox. 5 m
- > **Dimensiuni** : aprox. 335 x 342 x (593-850) mm
- > **Impedanță de sistem maximă admisă Z_{max}** : 0,371 ohmi

Valori sonore

- > Nivel de presiune sonoră L_{pA} : 90,7 dB(A)
- > Incertitudine K_{pA} : 3 dB(A)
- > Nivel de putere sonoră măsurat L_{WA} : 91,5 dB(A)
- > Incertitudine K_{WA} : 3 dB(A)
- > Nivel de putere sonoră garantat L_{WA}
(în conf. cu 2000/14/CE modificată de 2005/88/CE) : 92 dB(A)

Valori vibrații la nivelul mâinii / brațului

- > Măner $a_{h,w}$: 2,5 m/s²
- > Incertitudine K : 1,5 m/s²

Valorile sonore au fost stabilite conform codului de testare a zgomotului indicat în EN ISO 3744:1955.

Nivelul de intensitate a sunetului pentru utilizator poate depăși 80 dB(A) și sunt necesare măsuri de protecție a auzului.

Valorile totale declarate ale vibrațiilor și valorile declarate ale emisiilor de zgomot au fost măsurate în conformitate cu o metodă de testare standard (ISO 3744:2010, EN 60335-2-79) și pot fi utilizate pentru a compara un produs cu altul. Pot fi folosite și pentru o evaluare preliminară a expunerii.



AVERTISMENT! EMISIILE DE VIBRAȚII ȘI ZGOMOT DIN TIMPUL UTILIZĂRII EFECTIVE A PRODUSULUI POT FI DIFERITE DE VALOAREA TOTALĂ DECLARATĂ ÎN FUNCȚIE DE MODALITĂȚILE ÎN CARE ESTE FOLOSIT ȘI MAI ALES ÎN FUNCȚIE DE LUCRUL PENTRU CARE ESTE FOLOSIT.

TREBUIE IDENTIFICATE MĂSURILE DE SIGURANȚĂ NECESARE PENTRU PROTEJAREA UTILIZATORULUI PE BAZA UNEI ESTIMĂRI A EXPUNERII ÎN CONDIȚIILE EFECTIVE DE UTILIZARE (LUÂND ÎN CALCUL TOATE ETAPELE CICLULUI DE OPERARE, PRECUM PERIOADELE CÂND PRODUSUL ESTE OPRIT SAU CÂND FUNCȚIONEAZĂ ÎN GOL, PE LÂNGĂ PERIOADELE DE UTILIZARE EFECTIVĂ).

Explicarea etichetei energetice

MCB1286PRW = Număr model

MC = **MACAllister** (numele mărcii)

B = Tensiune (230-240 V~)

1286 = Cod secvențial

PRW = Aparat de spălat cu presiune

TTB1288PRW = Număr model

TT = **TITAN** (numele mărcii)

B = Tensiune (230-240 V~)

1288 = Cod secvențial

PRW = Aparat de spălat cu presiune

Despachetarea

1. Despachetează toate componentele și pune-le pe o suprafață plată și stabilă.
2. Îndepărtează toate ambalajele și dispozitivele de expediere dacă există.
3. Verifică dacă articolele din pachet sunt complete și intacte. În cazul în care constăți că unele piese lipsesc sau sunt deteriorate, nu utiliza produsul, ci contactează distribuitorul. Utilizarea unui produs incomplet sau deteriorat reprezintă un pericol la adresa oamenilor și a bunurilor materiale.
4. Verifică dacă ai toate uneltele și accesoriile necesare pentru asamblare și operare. Acestea includ și echipamentul individual de protecție adecvat.



AVERTISMENT! PRODUSUL ȘI AMBALAJUL NU SUNT JUCĂRII PENTRU COPII! COPIII NU AU VOIE SĂ SE JOACE CU PUNGILE DIN PLASTIC, CU FOLIILE SAU CU PIESELE MICI! PERICOL DE ÎNGHIȚIRE ȘI SUFOCARE!

Vei avea nevoie de

(articole nefurnizate)

Echipament individual de protecție adecvat
Cablul prelungitor adecvat pentru exterior
Furtun de grădină cu filtru și racord
Detergent adecvat
Șurubelniță cu cap în cruce adecvată

(articole furnizate)

Furtun cu presiune (13)
Pistol pulverizator (15)
Extensie de lance (16)
Tijă extensibilă (17)
Duză turbo (18)
Duză reglabilă (19)
Duză pentru recipientul cu detergent (20)
Perie de curățat terase (21)
Adaptor de admisie a apei (22)
Ac (23)
Garnitură inelară (Ø5,1 x 1,8) (x2) (24)
Garnitură inelară (Ø11,5 x 2,5) (25)
Șurub (ST3,5 x 13) (26)
Șurub (ST4,8 x 16) (27)
Șurub (ST4,8 x 16 cu cap șurub mare) (28)
Suport pentru pistol (29)



NOTĂ: Accesoriile necesare depind de utilizarea avută în vedere. Cere sfatul distribuitorului.



AVERTISMENT! PRODUSUL TREBUIE SĂ FIE COMPLET ASAMBLAT ÎNAINTE DE UTILIZARE! NU FOLOSI PRODUSUL DACĂ ESTE ASAMBLAT PARȚIAL SAU ASAMBLAT CU PIESE DETERIORATE!



URMEAZĂ INSTRUCȚIUNILE DE ASAMBLARE PAS CU PAS ȘI FOLOSEȘTE-TE DE IMAGINILE OFERITE CA GHID VIZUAL PENTRU A ASAMBLĂ CU UȘURINȚĂ PRODUSUL!

ÎNAINTE DE A UTILIZA PRODUSUL, FAMILIARIZEAZĂ-TE CU CARACTERISTICILE DE OPERARE ALE ACESTUIA ȘI CITEȘTE INTEGRAL MANUALUL DE INSTRUCȚIUNI, ACORDÂND O ATENȚIE DEOSEBITĂ REGULILOR DE SIGURANȚĂ ȘI PROCEDURILOR DE OPERARE.

NU CONECTA APARATUL LA SURSA DE ALIMENTARE ÎNAINTE DE A FI COMPLET ASAMBLAT.

Placa de suspendare

1. Glisează suportul de suspendare (14) pe baza de susținere și aliniaza gaura de montare, apoi folosește o șurubelniță cu cap în cruce adecvată (nefurnizată) pentru a strânge conexiunea cu șurubul (ST3,5 x 13) (26) (fig. 1a).

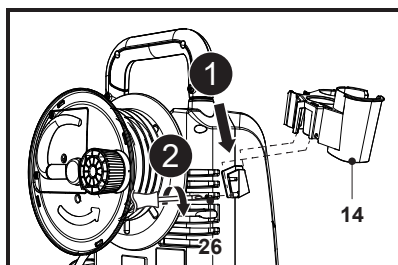


Fig. 1a

2. Apăsăți în jos pentru a alinia cu canelura în formă de U din partea inferioară a carcusei. (fig. 1b)

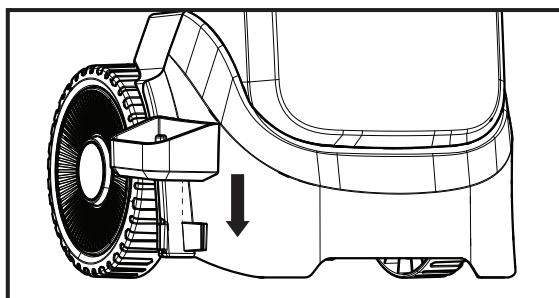


Fig. 1b

Ghidajul pentru furtun

Aliniaza gaura de montare de pe ghidajul pentru furtun (7) cu baza de pe aparat, apoi foloseste o șurubelniță cu cap în cruce adecvată (nefurnizată) pentru a strânge conexiunea cu șurubul (ST4,8 x 16 cu cap șurub mare) (28) (fig. 2, pașii 1, 2).

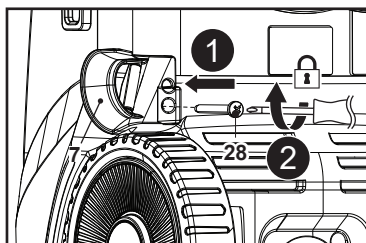


Fig. 2

Tamburul de furtun

Tamburul cu furtunul cu presiune (13) a fost montat pe aparat în fabrică.

1. Aliniaza gaura de montare de pe butonul pentru tamburul de furtun (10) cu baza de pe aparat, apoi foloseste o șurubelniță cu cap în cruce adecvată (nefurnizată) pentru a strânge conexiunea cu șurubul (ST4,8 x 16) (27) (fig. 3, pașii 1, 2).
2. Dirijează furtunul cu presiune (13) prin ghidaj (7), apoi prinde inelul de fixare (13a) la capăt (fig. 4, pașii 1, 2).

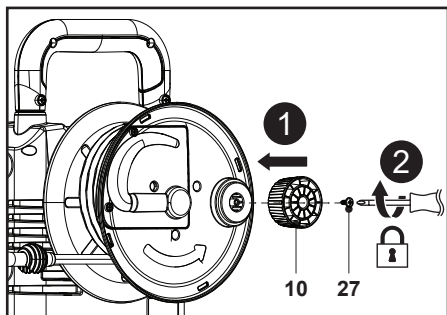


Fig. 3

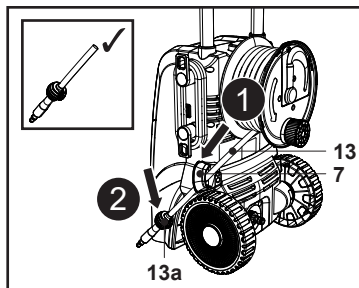


Fig. 4

Conectarea și deconectarea accesoriilor pentru pistolul pulverizator

1. Aliniaza și introdu extensionea de lance (16) în locul de pe pistolul pulverizator (15) (fig. 5, pasul 1).
2. Apasă și rotește manual extensionea de lance (16) în sens orar pe pistolul pulverizator (15) ca să o strângi (fig. 5, pasul 2).
3. Aliniaza cele două proeminențe de pe duză cu fantele de pe extensionea de lance (16), apoi introdu duza turbo (18) sau duza reglabilă (19) până la capăt (fig. 5, pasul 3).
4. Aliniaza cele două racorduri ale duzei pentru recipientul cu detergent (20) cu pistolul pulverizator (15), apoi apasă-o și rotește-o cu mâna în sens orar până se fixează în poziție.
5. Poți să montezi peria de curățat terase (21) pe extensionea de lance (16), apoi să montezi ansamblul direct pe pistolul pulverizator (15) sau cu tija extensibilă (17).

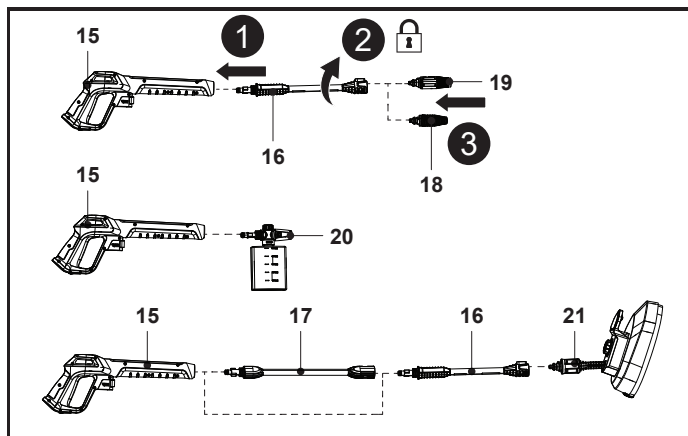


Fig. 5



NOTĂ: Când două componente sunt conectate corect, nu pot fi separate trăgându-le direct una din cealaltă. Toate accesoriile pentru pistolul pulverizator trebuie să fie introduse în pistol (15) pentru o utilizare corectă.

6. Pentru a deconecta duza, ține apăsat butonul de blocare (16a) și trage afară duza montată (fig. 6, pașii 1, 2). Montează la loc duza necesară.
7. Pentru a deconecta extensia de lance (16), apăs-o și rotește-o în sens antiorar, apoi scoate-o (fig. 6, pașii 3, 4, 5).
8. Pentru a deconecta duza pentru recipientul cu detergent (20) sau tija extensibilă (17) de la pistolul pulverizator (15), apăs-o și rotește-o în sens antiorar și scoate-o. Montează la loc accesoriul necesar pentru pistolul pulverizator.

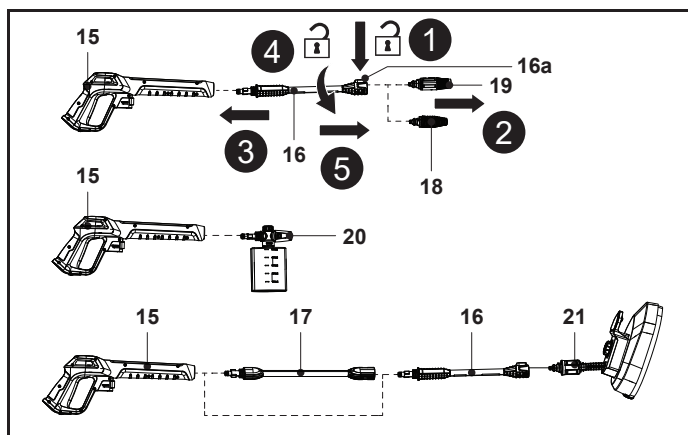


Fig. 6

Conectarea și deconectarea furtunului cu presiune

1. Trage ușor de furtunul cu presiune (13) pentru a-l scoate. Sugerăm desfășurarea completă a furtunului cu presiune (13) înainte de utilizare.
2. Împinge capătul furtunului cu presiune (13) în racordul (15d) de pe pistolul pulverizator (15) până la capăt, când auzi un clic (7).

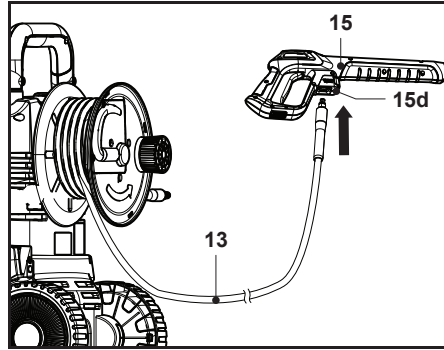


Fig. 7



AVERTISMENT! NU ÎNNODA ȘI NU ÎNDOI NICIODATĂ FURTUNUL CU PRESIUNE (13), DEOARECE SE POT PRODUCE DAUNE.

3. Pentru a debransa furtunul cu presiune (13) de la pistolul pulverizator (15), ține apăsată maneta de eliberare rapidă (15c) spre furtun (13) și trage afară furtunul cu presiune (13) (fig. 8, pașii 1, 2).

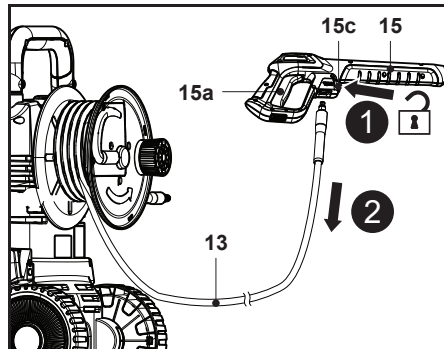


Fig. 8



AVERTISMENT! APĂ SUB PRESIUNE. OPREȘTE ALIMENTAREA CU APĂ, OPREȘTE APARATUL ȘI APASĂ DECLANȘATORUL PISTOLULUI PULVERIZATOR (15A) PENTRU A ELIBERA PRESIUNEA ÎNAINTE DE A DECONECTA FURTUNUL CU PRESIUNE (13).

Conectarea adaptorului de admisie a apei

Aliniaza și înșurubează adaptorul (22) pe racordul de admisie a apei (12) de pe spatele aparatului (fig. 9, pașii 1, 2).

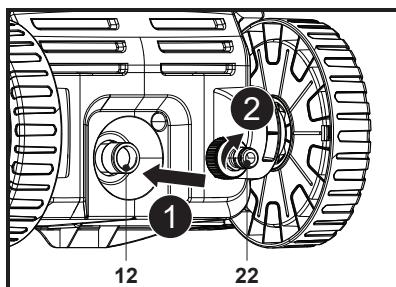


Fig. 9



NOTĂ: Racordul de admisie a apei (12) este prevăzut cu o sită de filtrare. Acest filtru trebuie să fie montat pentru a preveni pătrunderea impurităților din apă în aparat și deteriorarea pompei din aparat.

Conectarea alimentării cu apă

Acest aparat necesită o sursă de apă sub presiune cu o presiune maximă de 1 MPa (145 psi). Se recomandă utilizarea unui furtun de grădină ranforsat (cu un diametru minim de 12 mm) pentru racordul de admisie a apei. Nu se poate utiliza cu o găleată și un sifon.

1. Lasă apa să circule prin furtunul de grădină (nefumizat) pentru a îndepărta corpurile străine.
2. Prinde furtunul de grădină la adaptorul (22) de pe racordul de admisie a apei (12) de la aparat (fig. 10, pasul 1). Utilizează întotdeauna un cuplaj standard pentru admisia apei. Lungimea furtunului nu trebuie să depășească 8 m pentru o funcționare corectă.



NOTĂ: Dacă există vreun filtru montat la racordul țevii de apă pentru a preveni pătrunderea reziduurilor în pompă, inspectează-l și curăță-l înainte de utilizare, deoarece o alimentare cu apă insuficientă ar putea deteriora pompa.

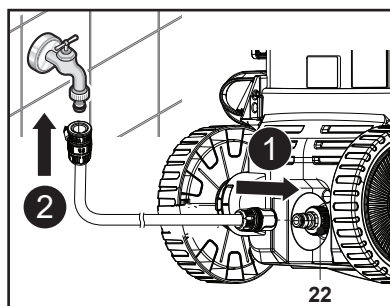


Fig. 10

3. Conectează celălalt capăt al furtunului de grădină la o sursă de apă (fig. 10, pasul 2).



AVERTISMENT! ACEST APARAT NU ESTE ADECVAT PENTRU RACORDAREA LA SURSA DE APĂ POTABILĂ.



RESPECTĂ REGLEMENTĂRILE COMPANIEI LOCALE DE UTILITĂȚI CÂND CONECTEZI PRODUSUL LA O CONDUCTĂ DE ALIMENTARE CU APĂ! ESTE INTERZISĂ RACORDAREA APARATULUI LA O SURSĂ DE APĂ POTABILĂ FĂRĂ O SUPAPĂ ANTIRETUR CONFORMĂ CU EN 12729 TIP BA SAU EN 61770!

4. Trage ușor de furtunul de grădină pentru a te asigura că racordarea este sigură.

Conectarea la sursa de alimentare



NOTĂ: Aparatul este echipat cu un cablu de alimentare cu o lungime de 5 m. Dacă este necesar un cablu prelungitor pentru operare, respectă cerințele tehnice ale acestui produs când achiziționezi unul.

Cerințele minime sunt ca acest cablu prelungitor să fie de tip H05VV-F și să aibă o secțiune de 2,5 mm². Lungimea totală a cablului prelungitor nu trebuie să depășească 25 de metri. Priza pentru cablul prelungitor trebuie să fie rezistentă la stropire.

Desfășoară complet cablul prelungitor.

Verifică întotdeauna ștecărul, priza și cablul prelungitor și asigură-te că sunt în stare bună înainte de utilizare.

1. Asigură-te că ai pus comutatorul rotativ de pornire / oprire (I/O) (3) în poziția oprit.
2. Scoate complet cablul de alimentare de pe cele două suporturi (4), apoi conectează ștecărul (5) la o priză adecvată.



AVERTISMENT! VERIFICĂ TENSIUNEA! TENSIUNEA TREBUIE SĂ FIE ÎN CONFORMITATE CU INFORMAȚIILE DE PE ETICHETA ENERGETICĂ!

FOLOSEȘTE ÎNTOTDEAUNA APARATUL CU O SIGURANȚĂ AUTOMATĂ CU PROTECȚIE DIFERENȚIALĂ (RCD) CU UN CURENT MAXIM DE DECLANȘARE DE 30 mA.

3. Produsul este acum gata de utilizare.

RO Funcții și setări

Scopul utilizării

Acest aparat electric de spălat cu presiune este conceput cu o putere nominală de intrare de 2 200 wați.

Acesta este un aparat pentru curățarea suprafețelor și obiectelor din afara casei, a uneltelor, vehiculelor și ambarcațiunilor, utilizând accesorii și agenți de curățare adecvați.

Folosește aparatul doar în intervalul de temperatură cuprins între 0 și 50 °C.

Din motive de siguranță, este esențială citirea întregului manual de instrucțiuni înaintea primei utilizări și respectarea tuturor instrucțiunilor din el.

Acest produs este doar pentru uz casnic privat, nu pentru vreo formă de uz comercial. Nu trebuie folosit în niciun alt scop decât cele descrise.

Utilizarea diferitelor duze

Duza reglabilă

Duza reglabilă (19) îți permite să utilizezi o varietate de modele de pulverizare, de la jet evantai complet la jet direct (jet).

Rotește capătul duzei în sens orar la modul „jet” și în sens antiorar la modul „pulverizare” (fig. 11).

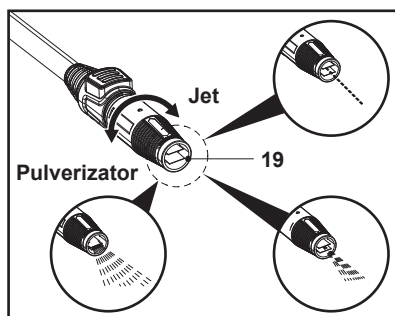


Fig. 11

- Modul jet

Un jet de apă este evacuat în linie dreaptă pentru a îndepărta noroiul persistent și alte murdării de pe utilajele agricole etc. Ține tot timpul lancea de pulverizare la 15-25 cm distanță de suprafața de curățat.

- Modul pulverizare

Apa este evacuată într-un evantai larg pentru a curăța pardoselile din lemn, pereții, motocicletele, automobilele etc. Când folosești jetul evantai, începe întotdeauna pulverizarea de la o distanță minimă de 90 cm, pentru a evita deteriorarea suprafeței materialului pe care îl cureți. Începe întotdeauna prin a pulveriza într-o zonă de testare liberă și departe de oameni și alte obiecte.



NOTĂ: Setează reglarea pulverizării întâi la modul „jet”, apoi schimbă treptat la poziția „pulverizare” trăgând declanșatorul pistolului pulverizator.

Reține că există posibilitatea ca apa să fie pulverizată orizontal pe o suprafață largă dacă duza este rotită complet la poziția „pulverizare”.

Reține că duza se poate deteriora dacă este mutată forțat dincolo de poziția de oprire când se alternează între modurile „jet” și „pulverizare”.

Duza turbo

Duza turbo (18) se rotește când pulverizează jeturi de apă cu presiune ridicată, pentru o spălare eficientă (fig. 12).

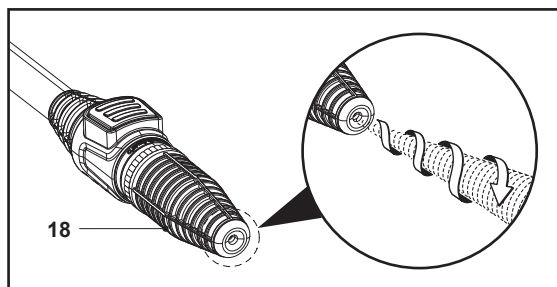


Fig. 12



ATENȚIE! NU ÎNCERCA SĂ REGLEZI DUZA TURBO.

EVITĂ UTILIZAREA SA PE OBIECTE CARE SE POT SPARGE UȘOR SAU LA CARE STRATURILE DE ACOPERIRE SE POT DESPRINDE CU UȘURINȚĂ.

Duza pentru recipientul cu detergent

Duza pentru recipientul cu detergent (20) poate pulveriza un amestec de apă și detergent la presiune mică.

Detergenții pot mări efectul de curățare al apei. Utilizează doar detergenți neutri disponibili pe piața liberă.

Umplerea și utilizarea detergentului după cum se arată în fig. 13

1. Ține duza pentru recipientul cu detergent (20), apoi deblochează și scoate recipientul (20a) (fig. 13, pasul 1).
2. Asigură-te că țeava de alimentare cu apă este bine fixată la duza pentru detergent (20).
3. Toarnă un detergent neutru nediluat în recipient.
4. Pune duza (20) pe recipient (20a) (fig. 13, pasul 2).
5. Ține de duză (20), apoi blochează bine recipientul (20a) pe ea (fig. 13, pasul 3).
6. Rotește butonul reglabil (20b) în sens orar pentru a efectua spălarea cu detergent concentrat și în sens antiorar pentru spălare cu detergent mai diluat (fig. 13, pasul 4).
7. Montează duza (20) pe pistolul pulverizator (15).
8. Duza pentru recipientul cu detergent (20) este gata de utilizare.

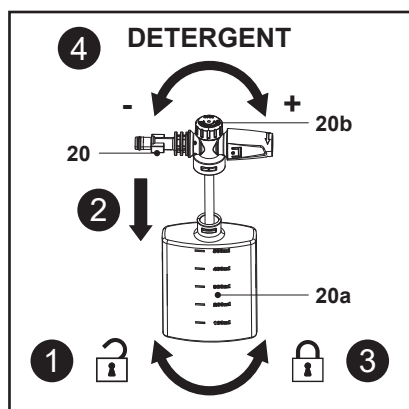


Fig. 13



AVERTISMENT! NU FOLOSI DETERGENȚI ACIZI SAU ALCALINI. FOLOSEȘTE DOAR DETERGENȚI NEUTRI DISPONIBILI PE PIAȚA LIBERĂ.

UTILIZAREA ALTOR DETERGENȚI DECÂT CEI NEUTRI SAU A AGENȚILOR CHIMICI POATE DUCE LA ACCIDENTE SAU DEFECTIUNI.

Perie de curățat terase

Peria de curățat terase (21) poate îndepărta temeinic murdăria ușoară și persistentă de pe suprafețe și este foarte delicată cu materialul.

Rotește butonul de reglare a debitului (21a) în sens orar pentru o viteză de curățare mai mare și în sens antiorar pentru o viteză de curățare mai mică (fig. 14).

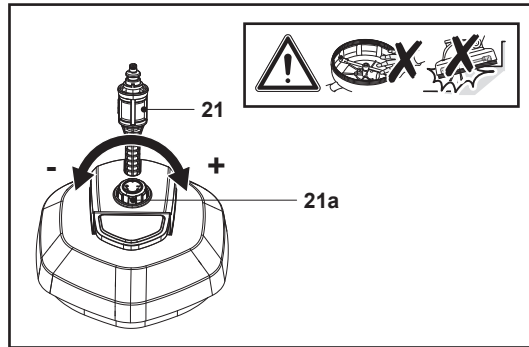


Fig. 14



AVERTISMENT! PERIA DE CURĂȚAT TERASE (21) SE FOLOSEȘTE DOAR PENTRU CURĂȚAREA SUPRAFEȚELOR. SE POATE DETERIORA DACĂ SE FOLOSEȘTE PENTRU CURĂȚAREA MARGINILOR.

NU ATINGE PIESA ROTATIVĂ CÂND APARATUL ESTE ÎN FUNCȚIUNE.

Reglarea mânerului de transport

1. Ține apăsat butonul de blocare a mânerului (2) și trage mânerul de transport (1) complet până se oprește (fig. 15).
2. Ține apăsat butonul de blocare a mânerului (2) și apasă mânerul de transport (1) pentru a-l retrage (fig. 16).

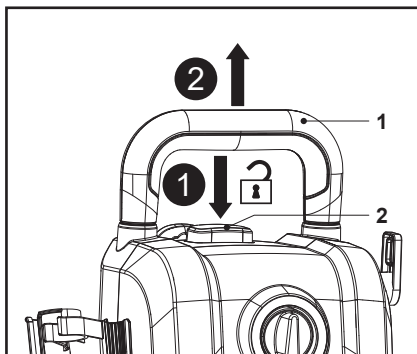


Fig. 15

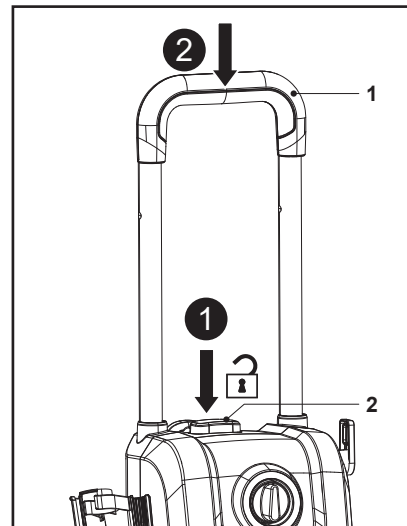


Fig. 16

Pornirea



AVERTISMENT! PENTRU A PREVENI DETERIORAREA APARATULUI, NU-L LĂSA SĂ FUNCȚIONEZE FĂRĂ APĂ.

ASIGURĂ-TE CĂ APARATUL DE SPĂLAT CU PRESIUNE ESTE AMPLASAT PE O SUPRAFAȚĂ PLANĂ ȘI DURĂ.

APARATUL DE SPĂLAT CU PRESIUNE TREBUIE SĂ FIE ÎNTOTDEAUNA ÎN POZIȚIE VERTICALĂ ÎN TIMPUL UTILIZĂRII.

1. Deschide robinetul pentru a lăsa apa să curgă în pompă (fig. 17, pasul 1).
2. Conectează cablul (5) la sursa de alimentare electrică după ce te-ai asigurat că comutatorul rotativ (3) este în poziția oprit (fig. 17, pasul 2).
3. Trage în spate piedica (15b) din partea de jos a pistolului pulverizator (15) pentru a debloca declanșatorul (15a) (fig. 17, pasul 3).
4. Apasă complet declanșatorul (15a) până când există un flux constant de apă, pentru a elimina aerul din aparat și din furtunul de apă (fig. 17, pasul 4). Apoi eliberează declanșatorul pistolului pulverizator (15a).
5. Pornește aparatul rotind comutatorul de pornire / oprire (3) la poziția „I” (fig. 17, pasul 5).
6. Îndreaptă în jos pistolul cu presiune. Îndreaptă lancea spre obiectul de curățat. Ai grijă ca distanța de lucru să fie adecvată.
7. Apasă complet declanșatorul pistolului pulverizator (15a) pentru a porni jetul de apă.

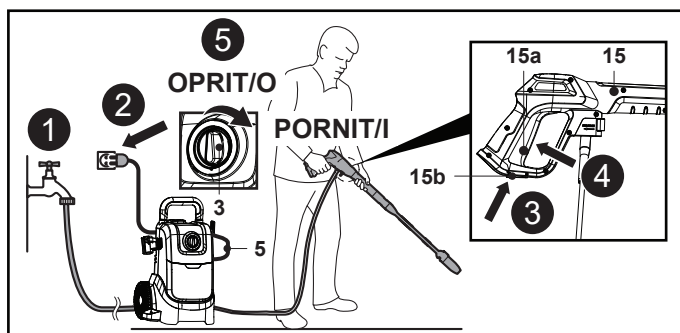


Fig. 17



AVERTISMENT! UTILIZAREA ÎNDELUNGATĂ A APARATULUI POATE PROVOCA PROBLEME DE CIRCULAȚIE LA NIVELUL MĂINILOR DIN CAUZA VIBRAȚIILOR.

NU ESTE POSIBILĂ SPECIFICAREA UNUI TIMP DE UTILIZARE GENERAL VALABIL, DEOARECE DEPINDE DE MAI MULȚI FACTORI:

- PREDISPOZIȚIA LA CIRCULAȚIE DEFICITARĂ A SÂNGELUI (DEGETE RECI, AMORȚITE),
- TEMPERATURA AMBIANTĂ REDUSĂ. POARTĂ MĂNUȘI CĂLDUROASE PENTRU A-ȚI PROTEJA MĂINILE,
- O PRINDERE FERMĂ ÎMPIEDICĂ CIRCULAȚIA SÂNGELUI,
- UTILIZAREA CONTINUĂ ESTE MAI GRAVĂ DECÂT O UTILIZARE CU PAUZE. ÎN CAZ DE UTILIZARE REGULATĂ ȘI ÎNDELUNGATĂ A APARATULUI ȘI DE APARIȚIE REPETATĂ A SIMPTOMELOR (DE EX. DEGETE RECI ȘI AMORȚITE), CONSULTĂ UN MEDIC.

Oprirea



AVERTISMENT! CÂND OPREȘTI APARATUL, ÎN INTERIORUL FURTUNULUI ȘI APARATULUI MAI EXISTĂ PRESIUNE RIDICATĂ. ÎNDREAPTĂ PISTOLUL ÎNTR-O DIRECȚIE SIGURĂ ȘI DESCARCĂ PRESIUNEA ÎN EXCES.

NU ÎNDREPTA NICIODATĂ JETUL DE APĂ CU PRESIUNE RIDICATĂ SPRE OAMENI SAU ANIMALE.

1. Închide robinetul de apă.
2. Apasă declanșatorul pistolului pulverizator (15a) până când din duză picură apă pentru a descărca presiunea reziduală din furtunul cu presiune (13). Aparatul este acum depresurizat.
3. Eliberează declanșatorul pistolului pulverizator (15a).
4. Împinge înainte piedica (15b) din partea de jos a pistolului pulverizator (15) pentru a bloca declanșatorul (15a). Acum pistolul pulverizator nu poate fi acționat accidental.
5. Oprește aparatul rotind comutatorul de pornire / oprire (3) la poziția „O”.



NOTĂ: Aparatul de spălat cu presiune lăsat pornit poate duce la funcționare fără apă, ceea ce cauzează defecțiuni.

Funcția de oprire automată

Aparatul este proiectat să oprească motorul când declanșatorul (15a) de pe pistolul pulverizator (15) este eliberat.

Mecanisme de siguranță

Aparatul de spălat cu presiune este echipat cu următoarele mecanisme pentru a asigura o utilizare în siguranță.

Comutator rotativ de pornire / oprire

Previne operarea neintenționată a aparatului.

Declanșator pentru pistolul pulverizator echipat cu piedică

Previne acționarea neintenționată a declanșatorului (15a), evitând astfel pornirea aparatului de spălat cu presiune.

Presostat

Împiedică presiunea din interiorul aparatului să depășească nivelurile permise. Eliberarea declanșatorului pistolului pulverizator (15a) determină oprirea funcționării pompei de către supapa acționată de presiunea apei, ceea ce permite eliberarea presiunii prin alimentarea cu apă. Pompa este repornită când declanșatorul pistolului pulverizator (15a) este apăsat.

Protecție termică

Protejează motorul oprind funcționarea când în motor se detectează căldură anormală. Aparatul va începe să funcționeze din nou când motorul se răcește.

Utilizarea generală

1. Înainte de fiecare utilizare, verifică dacă produsul, cablul de alimentare, ștecărul și accesoriile prezintă semne de deteriorare. Nu utiliza produsul dacă este deteriorat sau dacă prezintă semne de uzură. Ocupă-te de eventualele probleme identificate sau du produsul la un specialist calificat în vederea verificării.
2. Asigură-te încă o dată că accesoriile și elementele atașate sunt fixate corect.
3. Transportă întotdeauna aparatul ținându-l de mânerul de transport (1) și folosind roțile din spate (8).
4. Ține întotdeauna pistolul pulverizator ferm cu ambele mâini pe mâner și suprafața de prindere. Păstrează mânerul și suprafața de prindere uscate și fără lubrifianți pentru o susținere sigură.
5. Asigură-te că fantele de aerisire (11) sunt întotdeauna neobstrucționate și curate. Dacă este necesar, curăță-le cu o perie moale. Fantele de aerisire blocate pot duce la supraîncălzirea și deteriorarea produsului.
6. Oprește imediat produsul și deconectează-l de la sursa de alimentare dacă în zona de lucru pătrund alte persoane în timp ce lucrezi. Lasă întotdeauna produsul să se oprească total înainte de a te întoarce.
7. Nu te suprasolicita. Fă pauze regulate pentru a te asigura că te poți concentra asupra lucrului și că deții controlul total asupra produsului.

Utilizare



AVERTISMENT! NU UTILIZA APARATUL FĂRĂ ALIMENTARE CU APĂ. APARATUL VA FUNCȚIONA ÎN GOL ȘI, ÎN CONSECINȚĂ, SE VA DEFECTA.

NU TE ÎNTINDE PREA MULT CU FURTUNUL CU PRESIUNE ȘI NU MUTĂ APARATUL TRĂGÂND DE FURTUN, DEOARECE APARATUL POATE SĂ DEVINĂ INSTABIL ȘI SĂ SE RĂSTOARNE.

NU ÎNDOI FURTUNUL CU PRESIUNE ȘI NU TRECE PESTE EL CU UN AUTOVEHICUL.

NU EXPUNE FURTUNUL CU PRESIUNE LA MARGINI SAU COLȚURI ASCUȚITE.

LA APĂSAREA DECLANȘATORULUI PISTOLULUI PULVERIZATOR APAR FORȚE DE REcul! PRIN URMARE, ȚINE ÎNTOTDEAUNA PISTOLUL PULVERIZATOR CU AMBELE MĂINI!

FII ATENT LA POSTURĂ PENTRU A LUCRA ÎN SIGURANȚĂ! MANEVRAREA NECORESPUNZĂTOARE POATE DUCE LA LEZIUNI CORPORALE!



AVERTISMENT! NU UTILIZA APARATUL CÂND TEMPERATURA AMBIANTĂ ESTE SUB 0 °C. APA VA ÎNGHEȚA ÎN APARATUL, PROVOCÂND DETERIORAREA LUI.

1. Montează pe pistolul pulverizator o duză adecvată utilizării.
2. Alege modelul de pulverizare necesar dacă utilizezi duza reglabilă (19).
3. Stabilește distanța dintre duză și suprafața de curățat astfel încât suprafața să nu fie deteriorată.
4. Ține pistolul pulverizator (15) cu ambele mâini.
5. Pornește aparatul rotind comutatorul de pornire / oprire (3) la poziția „I”.

6. Îndreaptă în jos pistolul cu presiune. Îndreaptă lancea spre obiectul de curățat. Ai grijă ca distanța de lucru să fie adecvată.
7. Apasă complet declanșatorul pistolului pulverizator (15a) pentru a porni jetul de apă așa cum se arată în fig. 18.
8. Deplasează lancea înainte controlat, regulat și încet de-a lungul suprafeței de curățat.



Fig. 18



AVERTISMENT! AI GRIJĂ LA REcul CÂND APEȘI DECLANȘATORUL PISTOLULUI PULVERIZATOR (15A)!



NOTĂ: Pentru a evita deteriorările, păstrează întotdeauna o distanță rezonabilă între duză și obiectul de curățat. Cere sfaturi de la distribuitorul specialist dacă este cazul.

9. Eliberează declanșatorul pistolului pulverizator (15a) pentru a opri jetul de apă.

Sfaturi

Procedură de curățare recomandată

Dizolvă murdăria uscată aplicând detergentul amestecat cu apă pe suprafață. Lasă detergentul să stea pe suprafață câteva minute, fără să se usuce.

Pentru suprafețe verticale, lucrează de jos în sus. Clătește de jos în sus folosind jetul cu presiune ridicată de la o distanță minimă de 30 cm, la un unghi de 45° și apoi de sus în jos.

În unele cazuri este nevoie să freci cu peria pentru a îndepărta murdăria. Presiunea ridicată nu este mereu cea mai bună soluție pentru rezultate bune la spălare, deoarece poate deteriora anumite suprafețe. Setarea cea mai ridicată a jetului duzei nu trebuie folosită pe zone delicate ori vopsite sau pe componente presurizate (de ex. pneuri, supape de umflare etc.).

Spălarea eficientă depinde în aceeași măsură de presiunea și de volumul de apă utilizate.

Începe prin a pulveriza într-o zonă de testare liberă și departe de oameni și alte obiecte.

Curățarea cu detergent

Când cureți folosind aparatul de spălat cu presiune, anumite operațiuni de curățare se pot face doar cu apă, dar pentru majoritatea este util să se folosească detergent. Detergentul înmoaie mai repede murdăria, permițându-i apei cu presiune ridicată să pătrundă și să îndepărteze murdăria mai eficient.

Poziția de presiune mică asigură o aplicare blândă a detergentului. Această poziție se recomandă și pentru a clăti o suprafață după ce se aplică ceară sau pentru alte întrebuințări care necesită presiune mică în furtunul de grădină. Presiunea mică este echivalentul unui furtun de grădină pus la cel mai mic debit, pentru a putea aplica corect detergentul.

Când cureți suprafețe verticale, spală murdăria / detergentul pornind de jos și continuă în sus. Nu lăsa să se usuce.

Clătește începând de sus și continuă în jos pentru a curăța suprafața cu duza cu jet evantai.

Sistemul de răcire

Fantele de aerisire, situate în aparatul de spălat cu presiune și în jurul său, trebuie păstrate curate și fără obstrucții pentru o răcire adecvată cu aer a motorului în timpul funcționării. Nu pulveriza niciodată apa direct pe aparatul de spălat cu presiune pentru a-l curăța!



AVERTISMENT! ÎMPIEDICĂ PĂTRUNDEREA APEI ÎN FANTELE DE AERISIRE ALE APARATULUI PENTRU A MINIMIZA RISCUL DE DETERIORARE A APARATULUI ȘI A REDUCE RISCUL DE ELECTROCUTARE A OPERATORULUI.

Pardoseli exterioare din lemn și vinil

Clătește pardoseala și zona din jur cu apă curată. Dacă folosești detergent, conectează duza pentru recipientul cu detergent (20) la pistolul pulverizator și aplică la presiune mică pe zona de curățat. Pentru rezultate optime, împarte suprafața de lucru în secțiuni mai mici și curăță fiecare secțiune pe rând. Lasă detergentul să stea pe suprafață câteva minute, apoi clătește la presiune ridicată.

NU LĂSA PRODUSUL DE CURĂȚARE SĂ SE USUCE. Pentru rezultate optime, clătește întotdeauna de la stânga la dreapta și de sus în jos. Clătește cu presiune ridicată folosind jetul evantai și ținând vârful duzei de pulverizare la cel puțin 15-25 cm de suprafața de curățat.

Păstrează o distanță și mai mare de suprafața de curățat când folosești jet direct.



ATENȚIE! PENTRU LEMN DE ESENȚĂ MAI MOALE, MĂREȘTE DISTANȚA FAȚĂ DE SUPRAFAȚA DE CURĂȚAT.

Terase din ciment, piatră și cărămidă

Clătește suprafața de curățat și zona din jur cu apă curată. Dacă folosești detergent, conectează duza pentru recipientul cu detergent (20) la pistolul pulverizator și aplică la presiune mică pe zona de curățat. Clătește cu presiune ridicată folosind jetul evantai într-o mișcare de baleiere, ținând vârful duzei de pulverizare la cel puțin 7-15 cm de suprafața de curățat.

Păstrează o distanță și mai mare de suprafața de curățat când folosești jet direct.

Mașini, ambarcațiuni și motociclete

Clătește suprafața de curățat și zona din jur cu apă curată. Dacă folosești detergent, conectează duza pentru recipientul cu detergent (20) la pistolul pulverizator și aplică la presiune mică pe zona de curățat. Curăță câte o parte o dată pentru a obține rezultate optime. Lasă detergentul să stea pe suprafață câteva minute, fără să se usuce. Clătește cu presiune ridicată folosind jetul evantai într-o mișcare de baleiere, ținând vârful duzei de pulverizare la cel puțin 20 cm de suprafața de curățat.

Șterge suprafața pentru un finisaj lustruit.



AVERTISMENT! NU UTILIZA NICIODATĂ JET DIRECT PENTRU A CURĂȚA VOPSEAUA DE PE AUTOVEHICULE SAU AMBARCAȚIUNI. NU CURĂȚA MOTORUL CU APARATUL DE SPĂLAT CU PRESIUNE!

Grătare, echipamente electrice și unelte de grădinarit

Clătește suprafața de curățat și zona din jur cu apă curată. Dacă folosești detergent, conectează duza pentru recipientul cu detergent (20) la pistolul pulverizator și aplică la presiune mică pe zona de curățat. Lasă detergentul să stea pe suprafață câteva minute, fără să se usuce. Clătește cu presiune ridicată folosind jetul evantai și ținând vârful duzei de pulverizare la cel puțin 8 cm de suprafața de curățat. Păstrează o distanță și mai mare de suprafața de curățat când folosești jet direct.

După utilizare

1. Oprește produsul, deconectează-l de la sursa de alimentare și lasă-l să se răcească.
2. Eliberează presiunea din aparat.
3. Inspectează, curăță și depozitează produsul după cum se descrie mai jos.
4. Deconectează furtunul de grădină de la aparat și de la rețeaua de alimentare cu apă.
5. Debranșează furtunul cu presiune de la pistolul pulverizator (15) și de la aparat.
6. Scurge toată apa reziduală din furtunul cu presiune (13).
7. Înclină aparatul pentru a scurge apa reziduală.



AVERTISMENT! APA RĂMASĂ ÎN APARAT POATE ÎNGHEȚA PE TIMP DE IARNĂ, CEEA CE POATE DUCE LA DETERIORAREA POMPEI.

RO Îngrijire și întreținere

Reguli esențiale privind îngrijirea



AVERTISMENT! OPREȘTE ÎNTOTDEAUNA PRODUSUL, DECONECTEAZĂ-L DE LA SURSA DE ALIMENTARE ȘI LASĂ-L SĂ SE RĂCEASCĂ ÎNAINTE DE A FACE VERIFICĂRI, LUCRĂRI DE ÎNTREȚINERE SAU DE CURĂȚARE!



EFACTUEAZĂ LUCRĂRI DE ÎNGRIJIRE ȘI ÎNTREȚINERE DOAR ÎN CONFORMITATE CU ACESTE INSTRUCȚIUNI! TOATE CELELALTE LUCRĂRI TREBUIE EFECTUATE DE UN SPECIALIST CALIFICAT!

1. Păstrează produsul curat. Îndepărtează reziduurile după fiecare utilizare și înainte de depozitare.
2. Curățarea regulată și corectă va garanta o utilizare sigură și va prelungi durata de viață a produsului.
3. Inspectează produsul înainte de fiecare utilizare pentru a identifica eventuale componente uzate sau deteriorate. Nu folosi produsul dacă depistezi componente uzate sau deteriorate.



AVERTISMENT! EFACTUEAZĂ LUCRĂRI DE REPARAȚII ȘI ÎNTREȚINERE DOAR ÎN CONFORMITATE CU ACESTE INSTRUCȚIUNI! TOATE CELELALTE LUCRĂRI TREBUIE EFECTUATE DE UN SPECIALIST CALIFICAT!

Curățarea generală

1. Curăță produsul cu o cârpă umedă și săpun cu pH neutru. Folosește o perie pentru zonele greu accesibile.
2. Folosind o cârpă și o perie, curăță în mod special fantele de aerisire după fiecare utilizare.



NOTĂ: Nu utiliza substanțe chimice, alcaline, abrazive sau alți detergenți ori dezinfectanți agresivi pentru curățarea acestui produs, deoarece îi pot deteriora suprafețele.

3. Verifică dacă există deteriorări sau uzură. Înainte de a-l folosi din nou, repară deteriorările conform acestui manual de instrucțiuni sau du produsul la un centru de service autorizat.
4. Schimbă cele două garnituri inelare ($\varnothing 10$) (24) de pe furtunul cu presiune (13) și garnitura inelară ($\varnothing 12$) (25) de pe adaptorul de admisie a apei (22) dacă este necesar.

Curățarea duzei

1. Deconectează duza (18 / 19 / 21) de la extensia de lance (16) sau duza pentru recipientul cu detergent de spălare (20), extensia de lance (16), tija extensibilă (17) de la pistolul pulverizator (15) (fig. 19).
2. Îndepărtează toate depunerile de murdărie din orificiul duzei folosind un ac (23) (fig. 20).

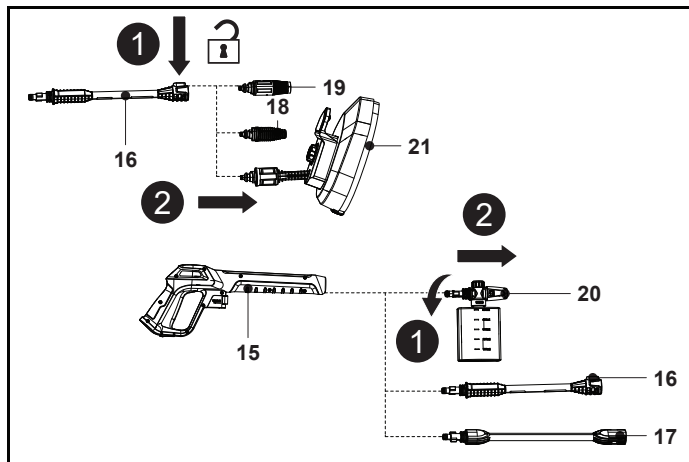


Fig. 19

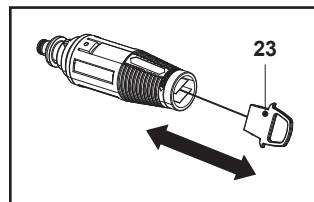


Fig. 20

Curățarea sitei de filtrare

1. Scoate adaptorul (22) de la racordul de admisie a apei (12) (fig. 21).
2. Scoate sita (12a) din racordul de admisie a apei (12) și clătește-o sub apă de la robinet pentru a îndepărta eventualele obiecte străine (fig. 22). Apoi montează la loc sita (12a).
3. Verifică sita (12a) înainte de fiecare utilizare și curăț-o dacă este necesar.

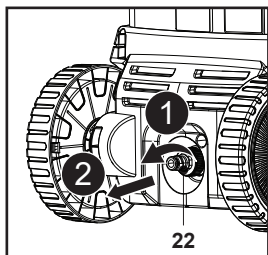


Fig. 21

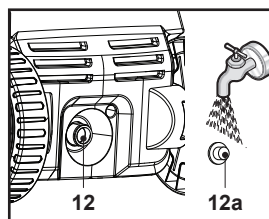


Fig. 22

Furtun cu presiune

După utilizarea aparatului, furtunul cu presiune (13) trebuie înfășurat la loc. Direcția de înfășurare trebuie să fie aceeași ca direcția inițială.



NOTĂ: Orice înfășurare în sens invers va distruge furtunul cu presiune.

Decalcifierea

Din când în când, în funcție de natura apei de la robinet, se formează depuneri de calcar în produs și accesorii. Duritatea depunerilor (și, așadar, frecvența decalcifierilor) depinde de duritatea apei și de cât de des este utilizat produsul. Consultă furnizorul pentru a afla duritatea apei din zona ta.



NOTĂ: Pentru decalcifiere folosește un amestec de apă și acid citric sau oțet. Aceste substanțe sunt biodegradabile și nepoluante pentru mediu!

1. Prepară o soluție din o parte oțet și două părți apă caldă (≤ 50 °C) într-un recipient adecvat, de ex. într-un bol.
2. Pune accesoriile detașabile în soluție.
3. Lasă accesoriile în soluție circa 12 ore.
4. Clătește accesoriile cu apă curată.

Lubrifierea

Aparatul de spălat cu presiune este proiectat cu un sistem de lubrifiere permanentă. Verificarea obișnuită a nivelului de ulei și schimbările de ulei nu sunt necesare.



NOTĂ: O cantitate mică de ulei scurs este normală.

Întreținere

Înainte și după fiecare utilizare, verifică dacă produsul și accesoriile prezintă semne de uzură și deteriorare. Dacă este necesar, schimbă-le cu unele noi, așa cum se descrie în acest manual de instrucțiuni. Respectă cerințele tehnice.

Cablul de alimentare

În cazul în care cablul de alimentare al acestei unelte electrice este deteriorat, trebuie înlocuit cu un cablu special pregătit, disponibil prin organizația de service.

Piese de schimb / Piese de rezervă

Următoarele piese din acest produs pot fi înlocuite de utilizator. Piesele de schimb sunt disponibile la un distribuitor autorizat sau prin serviciul nostru de relații cu clienții.

Descriere	Nr. model sau specificație
Pistol pulverizator (15)	Pistol YLG22
Extensie de lance (16)	Extensie de lance YLG22
Tijă extensibilă (17)	Tijă extensibilă pentru perie de curățat terase
Duză turbo (18)	Duză turbo YLG21

Duză reglabilă (19)	Duză reglabilă YLG21
Duză pentru recipientul cu detergent (20)	Duză pentru jet de spumă YLG204
Perie de curățat terase (21)	Perie de curățat terase YLS12
Adaptor de admisie a apei (22)	Racord negru scurt de intrare a apei

Reparare

Acest produs nu conține nicio piesă care poate fi reparată de utilizator. Pentru verificare și reparare, contactează un centru de service autorizat sau o persoană cu un nivel de calificare similar.

Depozitare

1. Oprește produsul și deconectează-l de la sursa de alimentare.
2. Curăță produsul după cum se descrie mai sus.
3. Depozitează produsul și accesoriile într-un loc întunecos, uscat, ferit de îngheț și bine ventilat.
4. Depozitează întotdeauna produsul într-un loc inaccesibil copiilor. Temperatura ideală de depozitare este între 10 și 30 °C.
5. Recomandăm ca pentru depozitare să se utilizeze ambalajul inițial al produsului ori să fie acoperit cu un material textil sau o husă adecvată pentru a-l proteja de praf.

Transport

1. Oprește produsul și scoate ștecărul din priză înainte de a-l transporta undeva.
2. Înfășoară cablul de alimentare (5) pe cele două suporturi de cablu (4) și fixează-l în loc cu clema furnizată (5a) (fig. 23).
3. Înfășoară furtunul cu presiune (13) și depozitează pistolul pulverizator (15), extensia de lance (16), duza pentru recipientul cu detergent (20) și duza (18 / 19) (fig. 24).
4. Transportă întotdeauna aparatul ținându-l de mânerul de transport (1) și folosind roțile din spate (8).
5. Protejează produsul de lovituri puternice sau de vibrații puternice care ar putea avea loc în timpul transportului în vehicule.
6. Fixează produsul pentru a împiedica alunecarea sau căderea sa, deteriorările sau răniile.

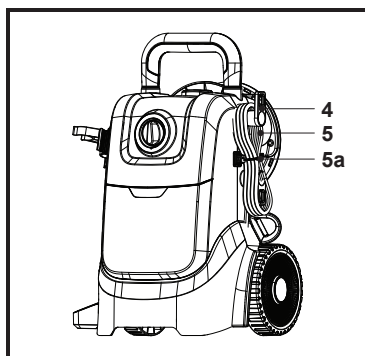


Fig. 23

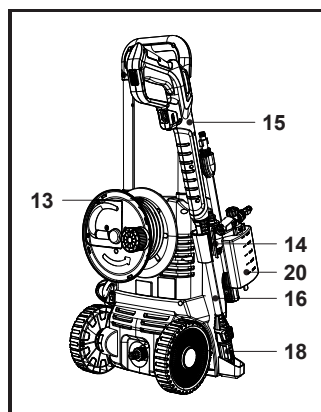


Fig. 24

Depanare

Defecțiunile suspectate au deseori cauze care pot fi remediate de utilizator. Prin urmare, verifică produsul utilizând această secțiune. În majoritatea cazurilor, problema poate fi remediată rapid.



AVERTISMENT! EFECTUEAZĂ NUMAI PAȘII DESCRIȘI ÎN ACESTE INSTRUCȚIUNI! DACĂ NU POȚI REZOLVA PROBLEMA, TOATE CELELALTE VERIFICĂRI, LUCRĂRI DE ÎNTREȚINERE SAU REPARAȚII TREBUIE EFECTUATE DE UN CENTRU DE SERVICE AUTORIZAT SAU DE UN SPECIALIST CU CALIFICARE SIMILARĂ!

Problemă	Cauză posibilă	Soluție
1. Produsul nu pornește	1.1. Nu este conectat la sursa de alimentare 1.2. Cablul de alimentare sau ștecărul sunt defecte 1.3. Altă defecțiune electrică la produs	1.1. Conectează-l la sursa de alimentare 1.2. Trebuie verificat de un electrician calificat 1.3. Trebuie verificat de un electrician calificat
2. Pompa nu ajunge la puterea maximă	2.1. Cablul prelungitor nu este adecvat pentru acest produs 2.2. Sursa de alimentare (de ex. generatorul) are o tensiune prea joasă 2.3. Fantele de aerisire sunt blocate 2.4. Duza este uzată 2.5. Filtrul este înfundat 2.6. Presiunea apei este scăzută 2.7. S-a aspirat aer în sistem 2.8. În pompă există aer 2.9. Duza reglabilă nu este poziționată corect	2.1. Folosește un prelungitor adecvat 2.2. Conectează la altă sursă de alimentare 2.3. Curăță fantele de aerisire 2.4. Înlocuiește duza 2.5. Curăță sita de filtrare din adaptorul de admisie a apei 2.6. Deschide complet robinetul de apă 2.7. Verifică dacă sunt strânse bine elementele de montare ale furtunului. 2.8. Oprește aparatul și apasă și eliberează repetat declanșatorul pistolului până când iese apă în flux continuu. Pornește din nou aparatul. 2.9. Rotește duza reglabilă de la modul pulverizare la modul jet
3. Presiunea scade în timpul utilizării	3.1. Apa este preluată dintr-un rezervor de apă extern 3.2. Temperatura apei la admisie este prea mare 3.3. Duza este înfundată 3.4. Filtrul de admisie este murdar	3.1. Conectează aparatul la alimentarea cu apă de la rețea 3.2. Redu temperatura apei 3.3. Curăță duza 3.4. Curăță sita de filtrare din adaptorul de admisie a apei

Problemă	Cauză posibilă	Soluție
4. Fluctuații mari ale presiunii	4.1. Presiunea apei este prea mică 4.2. Filtrul de admisie este murdar 4.3. S-a aspirat aer în sistem	4.1. Deschide complet robinetul de apă 4.2. Curăță sита de filtrare din adaptorul de admisie a apei 4.3. Verifică dacă sunt strânse bine elementele de montare ale furtunului.
5. Scurgeri de apă din aparat	5.1. Garnitura este uzată	5.1. Înlocuiește garnitura
6. Vibrații sau zgomot în exces	6.1. Presiunea apei este mică 6.2. Probleme la motor 6.3. Șuruburi și piulițe slăbite	6.1. Deschide complet robinetul de apă 6.2. Trebuie verificat de un electrician calificat 6.3. Strânge șuruburile și piulițele

Reciclarea și eliminarea deșeurilor



Acest simbol este cunoscut drept „simbolul tomberonului cu roți barat cu un X”. Când un produs sau o baterie afișează acest simbol, înseamnă că nu trebuie să fie eliminate împreună cu gunoiul menajer general. Unele substanțe chimice conținute de produsele electrice/electronice sau de baterii pot fi dăunătoare pentru sănătate și mediu. Elimină articolele electrice/electronice sau bateriile uzate numai prin programele centrelor de colectare separate, care se ocupă de recuperarea și reciclarea materialelor din componența lor. Colaborarea ta este vitală pentru succesul acestor programe și pentru protecția mediului.

Produsul este livrat într-un ambalaj care îl protejează de deteriorări în timpul transportului. Păstrează ambalajul până când ești sigur că au fost livrate toate componentele și produsul funcționează corect. Reciclează ambalajul după aceea.

Garanție

Avem o grijă deosebită să selectăm materiale de înaltă calitate și să utilizăm tehnici de fabricare care ne permit să creăm produse care încorporează designul și durabilitatea. Acest produs de garanție din partea producătorului de 2 ani pentru defectele de fabricație, de la data achiziției (dacă este cumpărat din magazin) sau de la data livrării (dacă este cumpărat online), fără niciun cost suplimentar pentru uz casnic normal (nu profesional sau comercial).

Pentru a efectua o solicitare în temeiul acestei garanții, trebuie să prezentați dovada achiziției (cum ar fi, chitanța de vânzare/bonul fiscal, factura de achiziție sau alte dovezi admisibile conform legii aplicabile); vă rugăm să păstrați dovada achiziției într-un loc sigur. Pentru ca această garanție să se aplice, produsul achiziționat trebuie să fie nou, garanția neaplicându-se pentru produse la mâna a doua sau produse de prezentare. Cu excepția cazului în care legislația aplicabilă prevede altfel, orice produs înlocuitor livrat în baza prezentei garanții va beneficia de garanție doar până la expirarea perioadei inițiale de garanție.

Prezenta garanție acoperă defectiunile produsului și erorile de funcționare, cu condiția ca produsul să fi fost utilizat în scopul prevăzut și să fi fost instalat, curățat, îngrijit și întreținut în conformitate cu informațiile conținute în termenii și condițiile prezente, manualul de utilizare și practicile standard, cu condiția ca practicile standard să nu fie în contradicție cu manualul de utilizare.

Această garanție nu acoperă defectele și deteriorările provocate de uzura normală sau daunele care pot fi rezultatul utilizării necorespunzătoare, instalării sau asamblării defectuoase, neglijenței, accidentelor, utilizării greșite sau modificărilor aduse produsului. Cu excepția cazului în care legislația aplicabilă prevede altfel, prezenta garanție nu va acoperi, în niciun caz, costurile suplimentare (de expediere, deplasare, dezinstalare și reinstalare, manoperă etc.) sau daunele directe și indirecte.

Această garanție nu acoperă defectele și deteriorările cauzate sau rezultate din:

- Uzura normală a produsului, inclusiv uzura accesoriilor;
- Supraîncărcare, utilizare incorectă sau neglijență;
- Încercarea de efectuare a reparațiilor de altă persoană în afară de un agent autorizat;
- Daune cosmetice;
- Deteriorări cauzate de obiecte străine, substanțe sau accidente;
- Deteriorări sau modificări accidentale;
- Nerespectarea îndrumărilor producătorului;
- Pierderea utilizării bunurilor.

Dacă produsul este defect, vom proceda, într-un timp rezonabil, la repararea, înlocuirea, returnarea banilor, operațiuni de service sau oferire piese de schimb.

Drepturile acoperite de această garanție sunt aplicabile în țara în care ați achiziționat produsul. Întrebările legate de garanție trebuie adresate magazinului de la care ați achiziționat produsul.

Garanția este suplimentară drepturilor dvs. legale și nu le afectează.

Dacă achiziționați acest produs din Turcia sau România, veți primi o garanție.

IMPORTANT – PĂSTRAȚI ACESTE INFORMAȚII PENTRU REFERINȚE VIITOARE: CITIȚI CU ATENȚIE



(EN) EU DECLARATION OF CONFORMITY
(FR) DÉCLARATION UE DE CONFORMITÉ
(PL) DEKLARACJA ZGODNOŚCI UE
(RO) DECLARAȚIA DE CONFORMITATE UE
(ES) DECLARACIÓN UE DE CONFORMIDAD
(PT) DECLARAÇÃO DE CONFORMIDADE UE

Product/Produit/Produkt/Produsul/Producto/Produto

- Electric high pressure washer 2200 W / Nettoyeur haute pression électrique 2200 W / Myjka ciśnieniowa elektryczna 2200 W / Aparat electric de spălat cu presiune de 2 200 W / Hidrolimpiadora eléctrica de 2200 W / Lavadora eléctrica de alta pressão 2200 W
- MCB1286PRW / TTB1288PRW
- SN: 000001-999999

Name and address of the manufacturer or his authorised representative:

Nom et adresse du fabricant ou de son mandataire:

Nazwa i adres producenta lub jego upoważnionego przedstawiciela:

Denumirea și adresa producătorului sau a reprezentantului său autorizat:

Nombre y dirección del fabricante o de su representante autorizado:

Nome e endereço do fabricante ou do respetivo mandatário:

Kingfisher International Products B.V.,
Rapenburgerstraat 175E,
1011 VM Amsterdam,
The Netherlands

This declaration of conformity is issued under the sole responsibility of the manufacturer.

La présente déclaration de conformité est établie sous la seule responsabilité du fabricant.

Niniejsza deklaracja zgodności wydana zostaje na wyłączną odpowiedzialność producenta.

Prezenta declarație de conformitate este emisă pe răspunderea exclusivă a producătorului.

La presente declaración de conformidad se expide bajo la exclusiva responsabilidad del fabricante.

A presente declaração de conformidade é emitida sob a exclusiva responsabilidade do fabricante.

Object of the declaration/Objet de la déclaration/Przedmiot deklaracji/Obiectul declarației/Objeto de la declaración/Objeto da declaração

Product/Produit/Produkt/Produsul/Producto/Produto	Model/Modèle/Model/Modelul/Modelo/Modelo	EAN
Electric high pressure washer 2200 W / Nettoyeur haute pression électrique 2200 W / Myjka ciśnieniowa elektryczna 2200 W / Aparat electric de spălat cu presiune de 2 200 W / Hidrolimpiadora eléctrica de 2200 W / Lavadora eléctrica de alta pressão 2200 W	MCB1286PRW / TTB1288PRW	5063022719553 5063022719492 5063022719591 5063022719614

The object of the declaration described above is in conformity with the relevant Union harmonisation legislation:

L'objet de la déclaration décrit ci-dessus est conforme à la législation d'harmonisation de l'Union applicable:

Wymieniony powyżej przedmiot niniejszej deklaracji jest zgodny z odnośnymi wymaganiami unijnego prawodawstwa harmonizacyjnego:

Obiectul declarației descris mai sus este în conformitate cu legislația relevantă de armonizare a Uniunii:

El objeto de la declaración descrita anteriormente es conforme con la legislación de armonización pertinente de la Unión:

O objeto da declaração acima descrito está em conformidade com a legislação de harmonização da União aplicável:

2006/42/EC as amended	Machinery Directive
2014/30/EU as amended	Directive Electromagnetic compatibility
2011/65/EU, (EU) 2015/863 as amended	Directive Restriction of the use of certain hazardous substances in electrical and electronic equipment
2012/19/EU as amended	Waste Electrical and Electronic Equipment (WEEE)
Regulation (EC) No 1907/2006, concerning the Registration, Evaluation, Authorization and Restriction of Chemicals (REACH)	

References to the relevant harmonised standards used or references to the other technical specifications in relation to which conformity is declared:

Références des normes harmonisées pertinentes appliquées, y compris la date de celles-ci, ou des autres spécifications techniques, y compris la date de celles-ci, par rapport auxquelles la conformité est déclarée: Odwołania do odnośnych norm zharmonizowanych, które zastosowano, wraz z datą normy, lub do innych specyfikacji technicznych, wraz z datą specyfikacji, w odniesieniu do których deklarowana jest zgodność:

Trimiteri la standardele armonizate relevante folosite, inclusiv data standardului, sau trimiteri la celelalte specificații tehnice, inclusiv data specificațiilor, în legătură cu care se declară conformitatea:

Referencias a las normas armonizadas pertinentes utilizadas, incluidas las fechas de las normas, o referencias a las otras especificaciones técnicas, incluidas las fechas de las especificaciones, respecto a las cuales se declara la conformidad:

Referências às normas harmonizadas aplicáveis utilizadas, incluindo a data da norma, ou às outras especificações técnicas, incluindo a data da especificação, em relação às quais é declarada a conformidade:

EN 60335-1:2012+A11:2014+A13:2017+A1:2019+A2:2019+A14:2019+A15:2021+A16:2023

EN 60335-2-79:2012

EN 62233:2008

EN IEC 55014-1:2021

EN IEC 55014-2:2021

EN IEC 61000-3-2:2019+A1:2021+A2:2024

EN IEC 61000-3-11:2019

Authorised signatory and technical file holder/signataire et responsable de la documentation technique autorisé/podmiot uprawniony do wystawienia i adres przechowywania dokumentacji technicznej/semnatar autorizat și deținător al dosarului tehnic/firmante autorizado y titular del expediente técnico/signatário autorizado e detentor da ficha técnica

Kingfisher International Products B.V.,
Rapenburgerstraat 175E,
1011 VM Amsterdam,
The Netherlands



David Awe
Group Quality & Sustainability Director

: [04/30/2022]

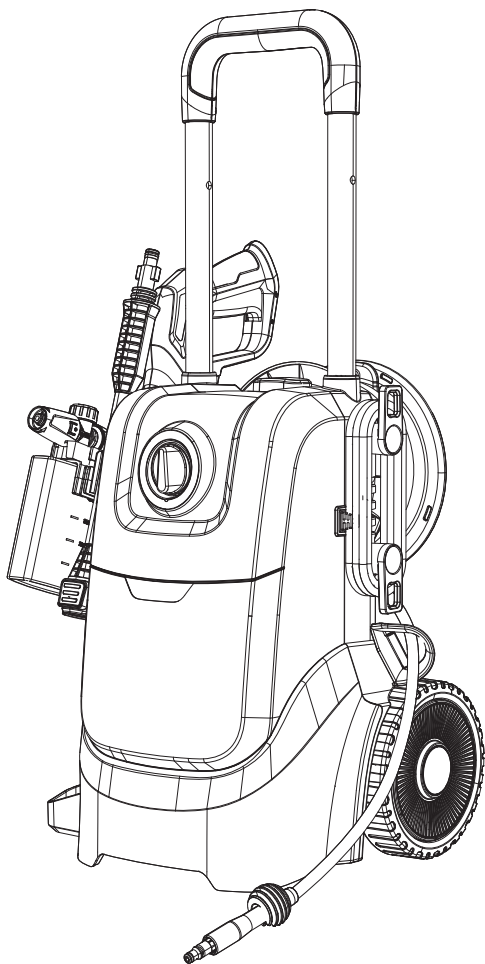
Producător:

EU Manufacturer:

Kingfisher International Products B.V.,
Rapenburgerstraat 175E,
1011 VM Amsterdam,
The Netherlands

RO www.bricodepot.ro

**Pentru a consulta manualele de instrucțiuni
online, vizitați www.kingfisher.com/products**



ES MANUAL ORIGINAL

IMPORTANTE: Estas instrucciones son para su propia seguridad. Léelas atentamente antes de manipular el producto y guárdelas para futuras consultas.

PRECAUCIÓN: Lea las instrucciones antes de utilizar la máquina.



V11025_5063022719553_MAND4_2425_RP0539

ES Hidrolimpiadora eléctrica de 2200 W

MCB1286PRW
5063022719553
5063022719492
TTB1288PRW
5063022719591
5063022719614

ES Piezas



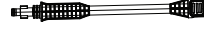
01. x1



02. x1



03. x1



04. x1



05. x1



06. x1



07. x1



08. x1



09. x1



10. x1



11. x1



12. x1



13. x1



14. x3

(Ø5,1 x 1,8, x2)
(Ø11,5 x 2,5, x1)



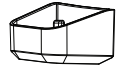
15. x1

(ST3,5 x 13)



16. x2

(ST4,8 x 16)
(ST4,8 x 16 con
cabeza de tornillo
grande)



17. x1

ES Necesitará



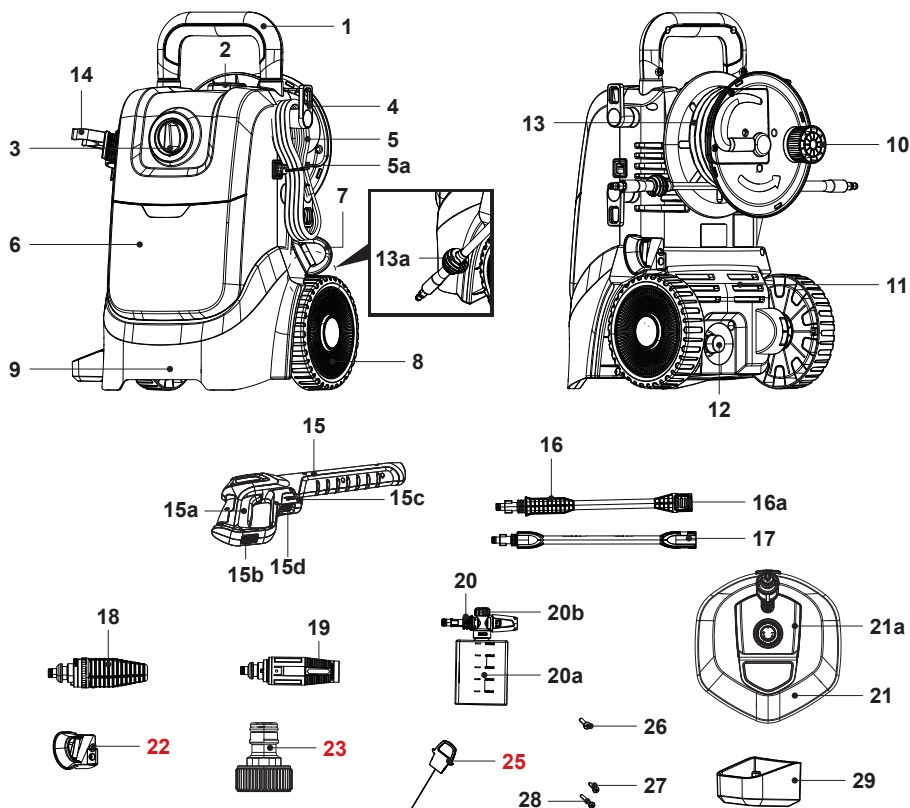
(artículos no suministrados)

- Equipo de protección individual adecuado
- Alargador adecuado para uso en exteriores
- Manguera de jardín con acoplamiento y filtro
- Detergente adecuado
- Destornillador de estrella adecuado

ES Contenido

ES	
Descripción del producto	3
Seguridad	4
Preparación	15
Montaje	16
Funciones y configuración	22
Uso	27
Cuidado y mantenimiento	31
Garantía	36
Declaración de conformidad	38

ES Descripción del producto



- | | | |
|---|---------------------------------|---|
| 1. Asa de transporte | 12. Conector de entrada de agua | 20. Boquilla de la botella de detergente |
| 2. Botón de bloqueo del asa | 13. Manguera de presión | a. Botella |
| 3. Interruptor giratorio de encendido / apagado (I/O) | a. Anillo de retención | b. Mando dispensador de jabón |
| 4. Anclaje del cable (x2) | 14. Soporte de suspensión | 21. Cepillo de patio |
| 5. Cable de alimentación con enchufe | 15. Pistola pulverizadora | a. Perilla de ajuste de caudal |
| a. Sujetacables | a. Gatillo | 22. Adaptador de entrada de agua |
| 6. Alojamiento del motor | b. Bloqueo del gatillo | 23. Aguja |
| 7. Guía de manguera | c. Palanca de liberación rápida | 24. Junta tórica (Ø5,1 x 1,8) (x2) |
| 8. Rueda trasera (x2) | d. Conector de manguera | 25. Junta tórica (Ø11,5 x 2,5) |
| 9. Pata delantera (x2) | 16. Lanza de prolongación | 26. Tornillo (ST3,5 x 13) |
| 10. Mando del enrollador de manguera | a. Botón de bloqueo | 27. Tornillo (ST4,8 x 16) |
| 11. Rejillas de salida del aire | 17. Barra de extensión | 28. Tornillo (ST4,8 x 16 con cabeza de tornillo grande) |
| | 18. Boquilla turbo | 29. Porta armas |
| | 19. Boquilla variable | |



Advertencias generales de seguridad de la máquina



ADVERTENCIA: LEA TODAS LAS ADVERTENCIAS DE SEGURIDAD Y PRESTE ATENCIÓN A LAS INSTRUCCIONES, ILUSTRACIONES Y ESPECIFICACIONES QUE SE INCLUYEN CON ESTA HERRAMIENTA ELÉCTRICA. SI NO SE SIGUEN TODAS LAS INSTRUCCIONES INDICADAS A CONTINUACIÓN, SE PUEDEN PRODUCIR DESCARGAS ELÉCTRICAS, INCENDIOS O LESIONES GRAVES. GUARDE TODAS LAS ADVERTENCIAS E INSTRUCCIONES PARA FUTURAS CONSULTAS. EL TÉRMINO "HERRAMIENTA ELÉCTRICA" EN LAS ADVERTENCIAS HACE REFERENCIA TANTO A UNA HERRAMIENTA ELÉCTRICA CONECTADA A LA CORRIENTE (CON CABLE) COMO A UNA HERRAMIENTA CON BATERÍA (INALÁMBRICA).

Seguridad en la zona de trabajo

- **Mantenga la zona de trabajo limpia y bien iluminada.** Las zonas desordenadas u oscuras favorecen los accidentes.
- **No use máquinas en atmósferas explosivas, tales como en presencia de polvo, gases o líquidos inflamables.** Las máquinas crean chispas que pueden prender el polvo o los vapores.
- **Mantener alejados a los niños y a otras personas mientras se maneja la máquina.** Las distracciones pueden hacer que pierda el control.

Seguridad eléctrica

- **Los enchufes de la máquina deben coincidir con las tomas de corriente. No modifique el enchufe de ninguna manera. No utilice enchufes adaptadores con máquinas conectadas a tierra.** Los enchufes y las correspondientes tomas de corriente sin modificar reducirán el riesgo de descarga eléctrica.
- **Evite el contacto del cuerpo con superficies con conexión a tierra, como tuberías, radiadores, cocinas eléctricas y refrigeradores.** Existe mayor riesgo de descarga eléctrica si el cuerpo está conectado a tierra.
- **No haga un mal uso del cable. No tire del cable para transportar, arrastrar ni desenchufar la máquina. Mantenga el cable alejado de fuentes de calor, aceite, bordes afilados o piezas móviles.** Los cables dañados o enredados aumentan el riesgo de descarga eléctrica.
- **Si utiliza la máquina en el exterior, utilice un alargador adecuado para uso al aire libre.** El uso de un cable adecuado para trabajar al aire libre reduce el riesgo de descarga eléctrica.
- **Si fuese inevitable trabajar con una máquina en un lugar húmedo, use una alimentación protegida por un dispositivo de corriente residual (RCD).** El uso de un RCD reduce el riesgo de descarga eléctrica.

Advertencias de seguridad adicionales para la hidrolimpiadora:

- Esta máquina la pueden usar personas con capacidades físicas, sensoriales o mentales reducidas, así como personas sin experiencia ni conocimientos si han recibido supervisión o instrucciones sobre su uso de forma segura y comprenden los riesgos que conlleva.
- Los niños no deben manejar las máquinas.
- Los niños deben estar vigilados para evitar que jueguen con el aparato.

- Compruebe regularmente el cable de alimentación en busca de daños. Si el cable de alimentación está dañado, debe sustituirlo el fabricante, un técnico de mantenimiento o una persona con una cualificación similar para evitar situaciones de peligro.
- Utilice el equipo de protección personal (EPP) adecuado mientras utiliza el producto, por ejemplo, botas de seguridad, guantes de seguridad, casco de seguridad con visera, protección auditiva, etc.



ADVERTENCIA: LOS ALARGADORES INADECUADOS PUEDEN SER PELIGROSOS. SI SE UTILIZA UN ALARGADOR, DEBERÁ SER ADECUADO PARA SU USO EN EXTERIORES, Y LA CONEXIÓN DEBERÁ MANTENERSE SECA Y ALEJADA DEL SUELO. PARA ELLO, SE RECOMIENDA UTILIZAR UN ENROLLADOR DE CABLE QUE MANTENGA LA TOMA A UNA ALTURA MÍNIMA DE 60 MM DEL SUELO.



ADVERTENCIA: RETIRE EL ENCHUFE DE LA TOMA DE CORRIENTE Y DESCONECTE LA MÁQUINA DE LA FUENTE DE ALIMENTACIÓN DURANTE LA LIMPIEZA O EL MANTENIMIENTO, Y CUANDO SUSTITUYA PIEZAS O ADAPTE LA MÁQUINA PARA OTRA FUNCIÓN.

- No toque el enchufe ni la toma de corriente con las manos mojadas. La conexión del suministro eléctrico deberá realizarla un electricista cualificado y cumplir la norma IEC 60364-1. Se recomienda que el suministro eléctrico de esta máquina incluya un dispositivo de corriente residual que interrumpa el suministro si la corriente de fuga a tierra supera los 30 mA durante 30 ms o un dispositivo que pruebe el circuito de tierra.



ADVERTENCIA: APAGUE SIEMPRE EL INTERRUPTOR DE DESCONEXIÓN DE LA RED ELÉCTRICA CUANDO DEJE LA MÁQUINA DESATENDIDA.

- Nunca transporte la hidrolimpiadora por el cable. No tire del cable para desconectarlo de la toma de corriente.



ADVERTENCIA: AL USAR UN LIMPIADOR DE ALTA PRESIÓN SE PUEDEN GENERAR AEROSOLES. LA INHALACIÓN DE AEROSOLES PUEDE SER PELIGROSA PARA LA SALUD.



ADVERTENCIA: LAS LESIONES CAUSADAS POR CHORRO A ALTA PRESIÓN SE CONSIDERAN UNA URGENCIA MÉDICA. EN CASO DE QUE SE PRODUZCA UNA LESIÓN POR CHORRO A ALTA PRESIÓN, ACUDA AL MÉDICO INMEDIATAMENTE.



ADVERTENCIA: ESTÁ PROHIBIDO USAR HIDROLIMPIADORAS EN MATERIALES QUE CONTENGAN AMIANTO (CUBIERTAS CON CHAPAS DE CEMENTO, VALLAS, PAREDES, ETC.). DE LO CONTRARIO, PODRÍA LIBERARSE UNA GRAN CANTIDAD DE FIBRAS DE AMIANTO EN EL AIRE, LO QUE SE CONSIDERA UN PELIGRO GRAVE PARA LA SALUD. SI TIENE DUDAS ACERCA DE LA NATURALEZA DE LOS MATERIALES SOBRE LOS QUE VA A PULVERIZAR, LE RECOMENDAMOS QUE SE PONGA EN CONTACTO CON LA AUTORIDAD LOCAL O GUBERNAMENTAL CORRESPONDIENTE.



ADVERTENCIA: LOS LIMPIADORES DE ALTA PRESIÓN NO DEBEN SER USADOS POR NIÑOS O PERSONAL QUE NO HAYA SIDO INSTRUIDO.

- Un control inadecuado de la pistola / lanza puede provocar lesiones al usuario y a otras personas, así como daños materiales. La fuerza reactiva del pulverizador puede provocar que se mueva la pistola / lanza, lo que puede causar resbalones, caídas o desviaciones en la dirección del pulverizador.



ADVERTENCIA: FAMILIARÍCESE CON EL FUNCIONAMIENTO Y LOS CONTROLES DE LA HIDROLIMPIADORA. NO UTILICE EL APARATO SI EL CABLE DE ALIMENTACIÓN O ALGUNA PIEZA IMPORTANTE PRESENTA DAÑOS, POR EJEMPLO, LOS DISPOSITIVOS DE SEGURIDAD, LAS MANGUERAS DE ALTA PRESIÓN O LA PISTOLA CON GATILLO.

- Nunca modifique ni retire los mecanismos de seguridad de este aparato. No utilice el aparato si faltan piezas, si tiene alguna pieza rota o si contiene piezas no autorizadas.
- Nunca deje la lanza desatendida mientras el aparato esté en funcionamiento.
- Nunca haga nudos en la manguera de alta presión ni la retuerza, ya que esto podría causar daños.
- Mantenga la zona de trabajo libre de obstáculos.
- Colóquese sobre una superficie estable y agarre la pistola / lanza firmemente con ambas manos. La alta presión puede provocar que los objetos reboten. Si es necesario, utilice un equipo de protección individual adecuado, como gafas de seguridad.
- Si va a limpiar los neumáticos de un vehículo, guarde una distancia mínima de 30 cm con respecto a estos y las válvulas para evitar daños provocados por el chorro de alta presión. El primer indicio de un posible daño en los neumáticos es un cambio en su color. Unos neumáticos o válvulas dañados pueden poner su vida en peligro.



ADVERTENCIA: RIESGO DE EXPLOSIÓN: NO PULVERICE LÍQUIDOS INFLAMABLES, COMO GASOLINA, COMBUSTIBLE, QUEROSENO, DISOLVENTES O DILUYENTES. SI NO SE SIGUE ESTA ADVERTENCIA, SE PUEDEN PROVOCAR LESIONES PERSONALES GRAVES, DAÑOS MATERIALES E INCLUSO LA MUERTE.



ADVERTENCIA: ESTA MÁQUINA SE HA DISEÑADO PARA UTILIZARSE CON EL PRODUCTO DE LIMPIEZA SUMINISTRADO O RECOMENDADO POR EL FABRICANTE. EL USO DE OTROS PRODUCTOS DE LIMPIEZA O QUÍMICOS PUEDE PERJUDICAR A LA SEGURIDAD DEL EQUIPO.



ADVERTENCIA: NO UTILICE EL APARATO CERCA DE OTRAS PERSONAS, A MENOS QUE LLEVEN ROPA PROTECTORA.



ADVERTENCIA: LOS CHORROS DE ALTA PRESIÓN PUEDEN SER PELIGROSOS SI SE HACE UN USO INDEBIDO. EL CHORRO NO SE DEBE DIRIGIR HACIA PERSONAS O ANIMALES, EQUIPOS CONECTADOS A LA CORRIENTE NI LA PROPIA MÁQUINA. NO DIRIJA EL CHORRO CONTRA USTED NI CONTRA LOS DEMÁS PARA LIMPIAR LA ROPA O EL CALZADO.



ADVERTENCIA: PARA GARANTIZAR LA SEGURIDAD DE LA MÁQUINA, UTILICE ÚNICAMENTE PIEZAS DE REPUESTO ORIGINALES DEL FABRICANTE O APROBADAS POR EL FABRICANTE.



ADVERTENCIA: LAS MANGUERAS DE ALTA PRESIÓN, LOS ACCESORIOS Y LOS ACOPLAMIENTOS SON IMPORTANTES PARA LA SEGURIDAD DE LA MÁQUINA. UTILICE ÚNICAMENTE MANGUERAS, ACCESORIOS Y ACOPLAMIENTOS RECOMENDADOS POR EL FABRICANTE.



ADVERTENCIA: ESTA MÁQUINA NO DEBE CONECTARSE A LA RED DE AGUA POTABLE SIN UNA VÁLVULA ANTIRRETORNO. CONSULTE LAS NORMATIVAS LOCALES Y NACIONALES SOBRE TUBERÍAS ANTES DE CONECTAR EL PRODUCTO A LA RED DE SUMINISTRO DE AGUA POTABLE. EL AGUA QUE HA PASADO A TRAVÉS DE LA VÁLVULA ANTIRRETORNO NO ES POTABLE.



ADVERTENCIA: DEPENDIENDO DE LA APLICACIÓN, SE PUEDEN UTILIZAR BOQUILLAS PROTEGIDAS PARA LIMPIAR A ALTA PRESIÓN, LO QUE REDUCIRÁ DRÁSTICAMENTE LA EMISIÓN DE AEROSOL ACUOSOS. SIN EMBARGO, NO TODAS LAS APLICACIONES PERMITEN EL USO DE DICHO DISPOSITIVO. SI LAS BOQUILLAS PROTEGIDAS NO SON APTAS PARA LA PROTECCIÓN CONTRA AEROSOL, PUEDE SER NECESARIO UTILIZAR UNA MÁSCARA RESPIRATORIA DE CLASE FFP 2 O EQUIVALENTE, DEPENDIENDO DEL ENTORNO DE LIMPIEZA.

Emergencia

Familiarícese con el uso de esta máquina por medio de este manual de instrucciones. Memorice las instrucciones de seguridad y sígalas al pie de la letra. Esto ayudará a evitar riesgos y peligros.

- **Manténgase siempre alerta cuando utilice esta máquina, de modo que pueda reconocer y afrontar los riesgos en una fase temprana.** Una intervención rápida puede evitar lesiones y daños materiales graves.
- **Apague la máquina y desconéctela de la fuente de alimentación si se produce cualquier fallo de funcionamiento.** Solicite a un profesional cualificado que compruebe y, si es necesario, repare la máquina antes de volver a ponerla en funcionamiento.

Riesgos residuales

Aunque utilice esta máquina cumpliendo todos los requisitos de seguridad, siguen existiendo riesgos potenciales de lesiones y daños. Pueden surgir los riesgos siguientes en relación con la estructura y el diseño de esta máquina:






- Problemas de salud resultantes de la emisión de vibraciones si la máquina se utiliza durante largos periodos de tiempo o no se realiza un mantenimiento adecuado de la misma.
- Lesiones personales y daños materiales debido a la rotura de los accesorios o el impacto repentino de objetos ocultos durante el uso.
- Peligro de lesiones y daños materiales causados por objetos que salen despedidos o accesorios de poca calidad.



ADVERTENCIA: ESTE PRODUCTO PRODUCE UN CAMPO ELECTROMAGNÉTICO DURANTE SU FUNCIONAMIENTO. EN DETERMINADAS CIRCUNSTANCIAS, ESTE CAMPO PUEDE INTERFERIR CON IMPLANTES MÉDICOS ACTIVOS O PASIVOS. PARA REDUCIR EL RIESGO DE LESIONES GRAVES O LETALES, RECOMENDAMOS QUE LAS PERSONAS CON IMPLANTES MÉDICOS CONSULTEN A SU MÉDICO Y AL FABRICANTE DE DICHS IMPLANTES ANTES DE UTILIZAR ESTE PRODUCTO.

Símbolos

En el producto, en la etiqueta de especificaciones y en estas instrucciones encontrará, entre otros, los siguientes símbolos y abreviaturas. Familiarícese con ellos para reducir los riesgos de lesiones personales y daños materiales.

V ~	Voltios (tensión alterna)	Hz	Hercios
W	Vatios	l/h	Litros por hora
mm	Milímetros	m	Metros
g	Gramos	kg	Kilogramos
MPa	Megapascuales (unidad de presión)	bar	Unidad de presión
N	Newton	kWh/año	Kilovatios por hora al año
dB(A)	Decibelios (ponderación A)	m/s ²	Metros por segundo al cuadrado
	Bloquear / fijar o asegurar.		Desbloquear / aflojar.
	Lea el manual de instrucciones.		
	Nota / Comentario.		Precaución / Advertencia.
yyWxx	Código de fecha de fabricación: año (20yy) y semana del año (Wxx) de fabricación.		
IPX5	Protección contra chorros de agua.		



Utilice siempre protección auditiva.



Utilice siempre protección ocular.



Utilice una mascarilla antipolvo.



Utilice guantes protectores.



Utilice calzado protector antideslizante.



Utilice ropa de protección ceñida.



Apague la máquina y desconéctela de la fuente de alimentación antes de realizar labores de montaje, limpieza, ajuste, mantenimiento, almacenamiento y transporte.



Desenchufe el producto de la toma de corriente si el cable de alimentación o el cable alargador están enredados, dañados o cortados. **NO TOQUE EL CABLE ANTES DE DESCONECTARLO DE LA FUENTE DE ALIMENTACIÓN.**



Los objetos despedidos por la máquina podrían golpear al operario o a otras personas cercanas. Asegúrese siempre de que todas las personas y animales se encuentren a una distancia segura de la máquina cuando está en funcionamiento. Por regla general, los niños no deben acercarse a la zona en la que se encuentra la máquina.



Esta máquina no es adecuada para su conexión a la red de agua potable.



No dirija nunca el chorro de agua hacia personas o animales, ni al propio producto o a un equipo conectado a la corriente.



Este producto tiene una clase de protección II. Eso significa que está equipado con aislamiento doble o mejorado.



Valor garantizado del nivel de potencia acústica en 92 dB(A).




Símbolo RAEE. Los residuos de aparatos eléctricos y electrónicos no deben desecharse con la basura doméstica. Deben reciclarse donde existan instalaciones destinadas a tal fin. Consulte a la autoridad local o acuda a una tienda cercana para que le informen sobre las opciones de reciclaje.



El producto cumple las directivas europeas vigentes; se ha sometido a un método de evaluación de conformidad con estas directivas.

Especificaciones técnicas

General

> Tensión nominal, frecuencia	: 230-240 V~, 50 Hz
> Potencia nominal de entrada	: 2200 W
> Presión nominal P_{nominal}	: 10,5 MPa (105 bar)
> Presión admisible $P_{\text{máx.}}$: 15,5 MPa (155 bar)
> Caudal nominal Q_{nominal}	: 360 l/h
> Caudal máximo $Q_{\text{máx.}}$: 460 l/h
> Presión máxima de entrada $P_{\text{EN. MÁX.}}$: 1 MPa (10 bar)
> Temperatura del agua máxima	: 50 °C
> Consumo de energía anual	: 30 kWh/año
> Fuerza de rebote en la empuñadura	: < 20 N
> Clase de protección	: II / 
> Grado de protección	: IPX5
> Peso	: aprox. 11,2 kg (neto) aprox. 13,6 kg (bruto)
> Longitud de la manguera de presión	: aprox. 8 m
> Longitud del cable de alimentación	: aprox. 5 m
> Dimensiones	: aprox. 335 x 342 x (593-850) mm
> Impedancia máxima permitida de Z_{max}	: 0,371 ohmios

Valores acústicos

> Nivel de presión acústica L_{pA}	: 90,7 dB(A)
> Incertidumbre K_{pA}	: 3 dB(A)
> Nivel medido de potencia acústica L_{WA}	: 91,5 dB(A)
> Incertidumbre K_{WA}	: 3 dB(A)
> Nivel garantizado de potencia acústica L_{WA} (de acuerdo con 2000/14/CE, modificada por 2005/88/CE)	: 92 dB(A)

Valores de vibración en mano-brazo

> Empuñadura $a_{h,w}$: 2,5 m/s ²
> Incertidumbre K	: 1,5 m/s ²

Los valores acústicos se han calculado conforme al código de prueba de ruidos indicado en la norma EN ISO 3744:1955.

El nivel de intensidad acústica para el operario puede ser superior a 80 dB(A), por lo que es preciso aplicar medidas de protección auditiva.

Los valores totales de vibraciones declarados y los valores de emisión de ruido declarados se han medido conforme a un método de prueba estándar (ISO 3744:2010, EN 60335-2-79) y se pueden utilizar para comparar un producto con otro. También se pueden utilizar en una evaluación preliminar de exposición.



ADVERTENCIA: LA EMISIÓN DE VIBRACIONES Y RUIDO DURANTE EL USO REAL DE LA MÁQUINA PUEDE DIFERIR DEL VALOR TOTAL DECLARADO EN FUNCIÓN DE LA FORMA EN QUE SE UTILICE LA MÁQUINA, Y ESPECIALMENTE EN FUNCIÓN DEL TIPO DE MATERIAL CON EL QUE SE ESTÉ TRABAJANDO.

TENDRÁ QUE IDENTIFICAR MEDIDAS DE SEGURIDAD PARA PROTEGER AL OPERARIO BASADAS EN UNA ESTIMACIÓN DE LA EXPOSICIÓN CON LAS CONDICIONES DE USO REALES (TENIENDO EN CUENTA TODAS LAS FASES DEL CICLO DE FUNCIONAMIENTO, COMO EL TIEMPO QUE LA MÁQUINA PERMANECE APAGADA, EL TIEMPO QUE SE MANTIENE EN MARCHA PERO SIN FUNCIONAR, ADEMÁS DEL TIEMPO DE ACTIVACIÓN).

Explicación de la etiqueta de especificaciones

MCB1286PRW = Número de modelo

MC = **MAC Allister** (marca)

B = Tensión (230-240 V~)

1286 = Código secuencial

PRW = Hidrolimpiadora

TTB1288PRW = Número de modelo

TT = **TITAN** (marca)

B = Tensión (230-240 V~)

1288 = Código secuencial

PRW = Hidrolimpiadora

ES Preparación

Desembalaje

1. Desembale todas las piezas y colóquelas sobre una superficie plana y estable.
2. Retire todos los materiales de embalaje y dispositivos de envío, si procede.
3. Asegúrese de que el contenido esté completo y no haya sufrido daños. Si faltan piezas o estas presentan daños, no utilice la máquina y póngase en contacto con su distribuidor. El uso de una máquina incompleta o dañada puede suponer un peligro de lesiones personales y daños materiales.
4. Asegúrese de que tenga todos los accesorios y herramientas necesarios para el montaje y funcionamiento. Esto también incluye el equipo de protección individual adecuado.



ADVERTENCIA: LA MÁQUINA Y EL EMBALAJE NO SON JUGUETES.

LOS NIÑOS NO DEBEN JUGAR CON BOLSAS DE PLÁSTICO, HOJAS NI

PIEZAS PEQUEÑAS. EXISTE RIESGO DE ATRAGANTAMIENTO Y ASFIXIA.

Necesitará

(Artículos no suministrados)

Equipo de protección individual adecuado
Alargador adecuado para uso en exteriores
Manguera de jardín con acoplamiento y filtro
Detergente adecuado
Destornillador de estrella adecuado

(Artículos suministrados)

Manguera de presión (13)
Pistola pulverizadora (15)
Lanza de prolongación (16)
Barra de extensión (17)
Boquilla turbo (18)
Boquilla variable (19)
Boquilla de la botella de detergente (20)
Cepillo de patio (21)
Adaptador de entrada de agua (22)
Aguja (23)
Junta tórica (Ø5,1 x 1,8) (x2) (24)
Junta tórica (Ø11,5 x 2,5) (25)
Tornillo (ST3,5 x 13) (26)
Tornillo (ST4,8 x 16) (27)
Tornillo (ST4,8 x 16 con cabeza de tornillo grande) (28)
Porta armas (29)



NOTA: Los accesorios necesarios dependen del uso previsto. Pida consejo a su distribuidor.



ADVERTENCIA: LA MÁQUINA DEBE ESTAR TOTALMENTE MONTADA ANTES DEL FUNCIONAMIENTO. NO UTILICE UNA MÁQUINA QUE SOLO ESTÉ PARCIALMENTE MONTADA O MONTADA CON PIEZAS DAÑADAS.



SIGA LAS INSTRUCCIONES DE MONTAJE PASO A PASO Y UTILICE LAS IMÁGENES PROPORCIONADAS COMO GUÍA VISUAL PARA MONTAR FÁCILMENTE LA MÁQUINA.

ANTES DE UTILIZAR LA MÁQUINA, FAMILIARÍCESE CON SUS FUNCIONES Y LEA TODO EL MANUAL DE INSTRUCCIONES, EN ESPECIAL LAS NORMAS DE SEGURIDAD Y LOS PROCEDIMIENTOS DE FUNCIONAMIENTO.

NO CONECTE EL PRODUCTO A LA FUENTE DE ALIMENTACIÓN ANTES DEL MONTAJE.

Placa de suspensión

1. Deslice el soporte de suspensión (14) sobre su soporte y alinee el orificio de montaje; a continuación, utilice un destornillador de estrella adecuado (no suministrado) para fijar la conexión con el tornillo (ST3,5 x 13) (26) (Fig. 1a).

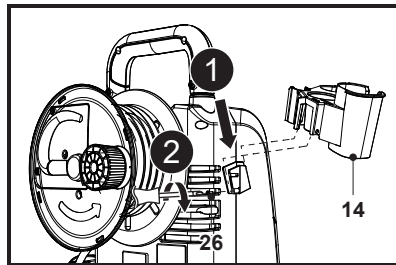


Fig. 1a

2. Presione hacia abajo para alinear con la ranura en forma de U en la parte inferior de la carcasa. (Fig. 1b)

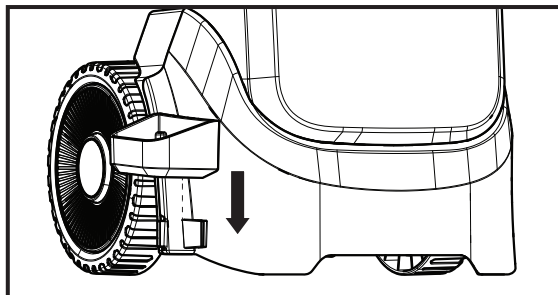


Fig. 1b

Guía de manguera

Alinee el orificio de montaje de la guía de manguera (7) con su soporte en la máquina y, a continuación, utilice un destornillador de estrella adecuado (no suministrado) para fijar la conexión con el tornillo (ST4,8 x 16 con cabeza de tornillo grande) (28) (Fig. 2, pasos 1 y 2).

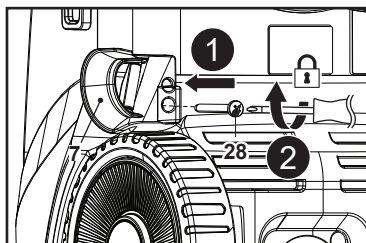


Fig. 2

Enrollador de manguera

El enrollador de manguera con manguera de presión (13) se suministra montado de fábrica.

1. Alinee el orificio de montaje del mando del enrollador de manguera (10) con su soporte en la máquina y, a continuación, utilice un destornillador de estrella adecuado (no suministrado) para fijar la conexión con el tornillo (ST4,8 x 16) (27) (Fig. 3, pasos 1 y 2).
2. Pase la manguera de presión (13) a través de la guía (7) y, a continuación, monte el anillo de retención (13a) en la punta (Fig. 4, pasos 1 y 2).

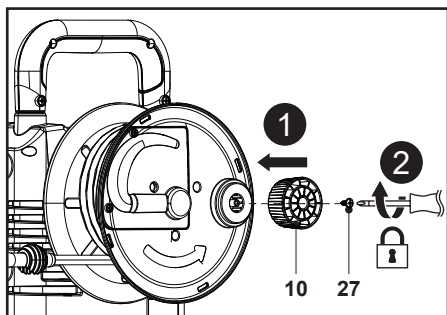


Fig. 3

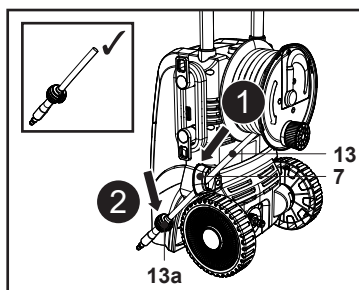


Fig. 4

Conexión / desconexión de los accesorios de la pistola pulverizadora

1. Alinee e inserte la lanza de prolongación (16) en el orificio de la pistola pulverizadora (15) (Fig. 5, paso 1).
2. Presione y gire a mano la lanza de prolongación (16) hacia la derecha contra la pistola pulverizadora (15) hasta que quede fijada en su sitio (Fig. 5, paso 2).
3. Alinee las dos pestañas de la boquilla con las ranuras de la lanza de prolongación (16) y, a continuación, inserte la boquilla turbo (18) o la boquilla variable (19) hasta el final (Fig. 5, paso 3).
4. Alinee las dos pestañas de la boquilla de la botella de detergente (20) con la pistola pulverizadora (15) y, a continuación, presione y gire a mano la boquilla de la botella de detergente (20) hacia la derecha contra la pistola pulverizadora (15) hasta que quede fijada en su sitio.
5. Puede montar el cepillo de patio (21) en la lanza de prolongación (16) y, a continuación, montar la combinación directamente en la pistola pulverizadora (15) o con la barra de extensión (17).

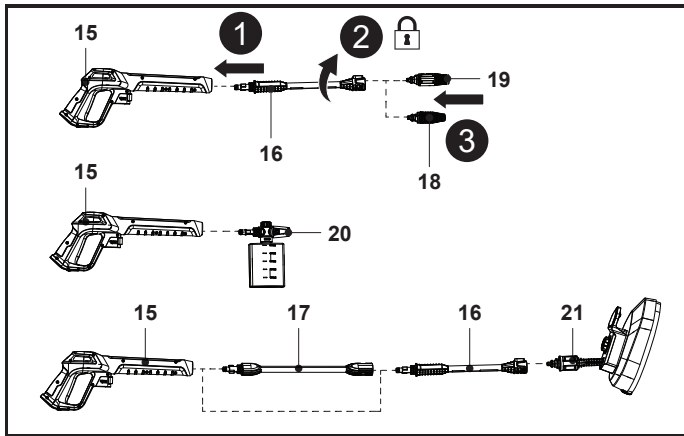


Fig. 5



NOTA: Cuando dos componentes están conectados de forma correcta, no es posible desconectarlos simplemente tirando de ellos. Todos los accesorios de la pistola pulverizadora deben insertarse en la pistola pulverizadora (15) para un uso adecuado.

6. Para desconectar la boquilla, pulse el botón de bloqueo (16a) mientras la sujeta en su sitio; a continuación, tire de la boquilla hacia fuera (Fig. 6, pasos 1 y 2). Vuelva a instalar la boquilla que necesite.
7. Para desconectar la lanza de prolongación (16), presiónela y gírela hacia la izquierda para retirarla (Fig. 6, pasos 3, 4 y 5).
8. Para desconectar la boquilla de la botella de detergente (20) o la barra de extensión (17) de la pistola pulverizadora (15), presiónelos y gírelos hacia la izquierda para retirarlos. Vuelva a instalar el accesorio de pistola pulverizadora que necesite.

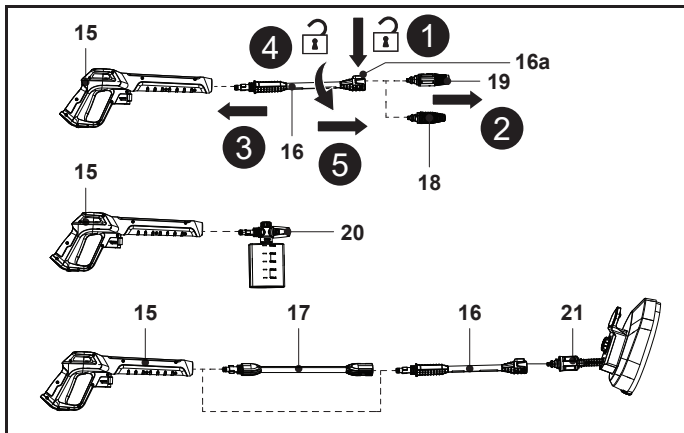


Fig. 6

Conexión / desconexión de la manguera de presión

1. Tire suavemente de la manguera de presión (13) para extraerla. Recomendamos desenrollar completamente la manguera de presión (13) antes de usar la máquina.
2. Inserte la punta de la manguera de presión (13) en el conector de la manguera (15d) de la pistola pulverizadora (15) hasta el tope; oirá un clic (Fig. 7).

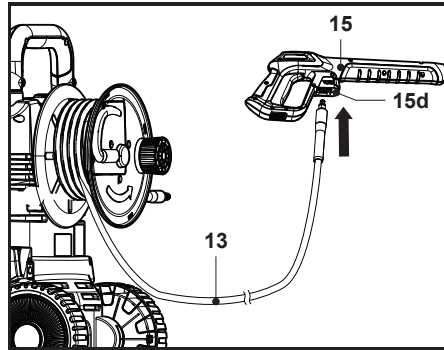


Fig. 7



ADVERTENCIA: NUNCA HAGA NUDOS EN LA MANGUERA DE PRESIÓN (13) NI LA RETUERZA, YA QUE ESTO PODRÍA CAUSAR DAÑOS.

3. Para desconectar la manguera de presión (13) de la pistola pulverizadora (15), mantenga presionada la palanca de liberación rápida (15c) contra la manguera de presión (13); a continuación, tire de la manguera de presión (13) para extraerla (Fig. 8, pasos 1 y 2).

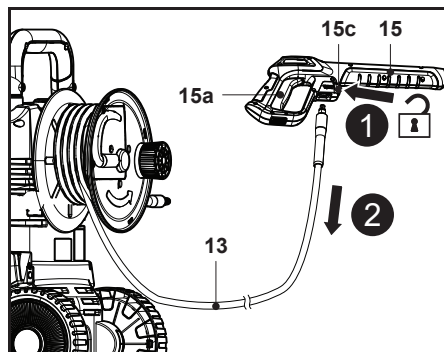


Fig. 8



ADVERTENCIA: AGUA A PRESIÓN. CIERRE EL SUMINISTRO DE AGUA, APAGUE LA MÁQUINA Y APRIETE EL GATILLO DE LA PISTOLA PULVERIZADORA (15A) PARA LIBERAR LA PRESIÓN ANTES DE DESCONECTAR LA MANGUERA DE PRESIÓN (13).

Conexión del adaptador de entrada de agua

Alinee y enrosque el adaptador de entrada de agua (22) en el conector de entrada de agua (12) de la parte posterior de la máquina (Fig. 9, pasos 1 y 2).

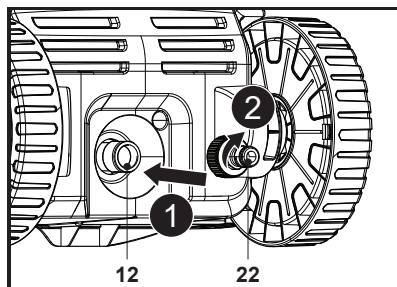


Fig. 9

i **NOTA:** El conector de entrada de agua (12) está equipado con un filtro de malla. Este filtro debe estar siempre colocado para evitar que las impurezas del agua entren en la máquina y dañen la bomba interna.

Conexión al suministro de agua

Esta hidrolimpiadora requiere un suministro de agua con una presión máxima de 1 MPa (145 psi).

Se recomienda utilizar una manguera de jardín reforzada (con un diámetro mínimo de 12 mm) para la conexión de entrada de agua. No se puede utilizar con un cubo y un sifón.

1. Haga circular agua por la manguera de jardín (no incluida) para eliminar cualquier partícula extraña.
2. Conecte la manguera de jardín al **adaptador de entrada de agua (22)** del conector de entrada de agua (12) de la máquina (Fig. 10, paso 1). Utilice siempre un acoplamiento estándar para la entrada de agua. Para que la máquina funcione correctamente, la manguera no puede tener más de 8 m de longitud.

i **NOTA:** Si hay algún filtro instalado en la conexión de la tubería de agua para evitar que entren residuos en la bomba, inspecciónelo y límpielo antes de usarla, ya que un suministro de agua insuficiente podría dañar la bomba.

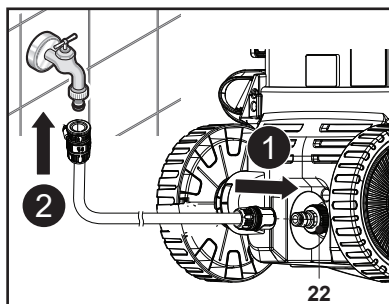


Fig. 10

3. Conecte el otro extremo de la manguera de jardín a un suministro de agua (Fig. 10, paso 2).



ADVERTENCIA: ESTA MÁQUINA NO ES ADECUADA PARA SU CONEXIÓN A LA RED DE AGUA POTABLE.



RESPECTE LAS NORMATIVAS DE SU COMPAÑÍA DE SUMINISTRO DE AGUA AL CONECTAR EL PRODUCTO A UNA TOMA DE AGUA. ESTÁ PROHIBIDO CONECTAR ESTA MÁQUINA A LA INSTALACIÓN DE AGUA POTABLE SIN UNA VÁLVULA ANTIRRETORNO QUE SE CORRESPONDA CON LA NORMA EN 12729 TIPO BA O EN 61770.

4. Tire suavemente de la manguera de jardín para asegurarse de que la conexión es segura.

Conexión a la fuente de alimentación



NOTA: La máquina cuenta con un cable de alimentación de 5 m de largo.

Si se necesita un alargador extra para su uso, cuando vaya a comprar este cable, tenga en cuenta los requisitos técnicos del producto.

El cable alargador debe, como mínimo, ser del tipo H05VV-F y tener una sección transversal de 2,5 mm². El cable debe tener como mucho 25 metros de longitud. La toma del alargador debe ser a prueba de salpicaduras de agua.

Desenrolle completamente el alargador.

Revise siempre el enchufe, la toma y el alargador, y asegúrese de que estén en buenas condiciones antes de usar la máquina.

1. Asegúrese de que el interruptor giratorio de encendido / apagado (**I/O**) (3) esté en la posición de apagado.
2. Desenrolle completamente el cable de alimentación de los dos anclajes (4) y, a continuación, conecte el enchufe del cable de alimentación (5) a una toma de corriente adecuada.



ADVERTENCIA: COMPRUEBE LA TENSIÓN. LA TENSIÓN DEBE SER CONFORME CON LA INFORMACIÓN QUE FIGURA EN LA ETIQUETA DE ESPECIFICACIONES.

LA MÁQUINA DEBE UTILIZARSE SIEMPRE CON UN DISPOSITIVO DE CORRIENTE RESIDUAL (RCD) CON UNA CORRIENTE DE ACTIVACIÓN DE 30 mA COMO MÁXIMO.

3. La máquina está lista para utilizarse.

Uso previsto

La hidrolimpiadora eléctrica presenta una potencia nominal de entrada de 2200 vatios.

La máquina está diseñada para limpiar espacios y objetos en exteriores, herramientas, vehículos y embarcaciones, siempre y cuando se utilicen los accesorios y los productos de limpieza adecuados.

Utilice la máquina únicamente a una temperatura comprendida entre 0 °C y 50 °C.

Por motivos de seguridad, es fundamental leer el manual de instrucciones completo antes de usar el producto por primera vez, así como seguir todas las indicaciones incluidas en él.

Esta máquina está diseñada solamente para uso doméstico privado, no para uso comercial. No se debe utilizar para fines distintos de los indicados en el manual.

Uso de boquillas diferentes

Boquilla variable

La boquilla variable (19) le permitirá utilizar cualquier tipo de patrón de pulverización, desde una pulverización completa en abanico hasta una pulverización directa (chorro).

Gire el extremo de la boquilla hacia la derecha para activar el modo de chorro y hacia la izquierda para el modo de pulverización (Fig. 11).

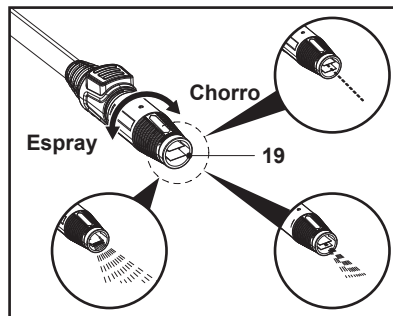


Fig. 11

- Modo de chorro

Sale un chorro de agua directo para eliminar el barro persistente y cualquier otra suciedad de maquinaria agrícola, etc. Debe mantener en todo momento la lanza pulverizadora a 15-25 cm de la superficie que esté limpiando.

- Modo de pulverización

El agua se descarga en un amplio abanico para limpiar suelos de madera, paredes, motocicletas, automóviles, etc. Empiece utilizando siempre el chorro en abanico, y pulverice primero a una distancia mínima de 90 cm para evitar dañar la superficie del material que está limpiando. Comience pulverizando en una zona de prueba, donde no haya objetos ni personas cerca.



NOTA: Configure primero el ajuste de pulverización en el modo de chorro y, a continuación, muévelo gradualmente a la posición de pulverización mientras tira del gatillo de la pistola pulverizadora.

Tenga en cuenta que existe la posibilidad de que el agua se pulverice horizontalmente sobre un área amplia si se gira completamente a la posición de pulverización.

Tenga en cuenta que, al cambiar de un modo a otro, la boquilla puede dañarse si se gira bruscamente más allá del tope.

Boquilla turbo

La boquilla turbo (18) gira a medida que pulveriza chorros de agua a alta presión para un lavado eficaz (Fig. 12).

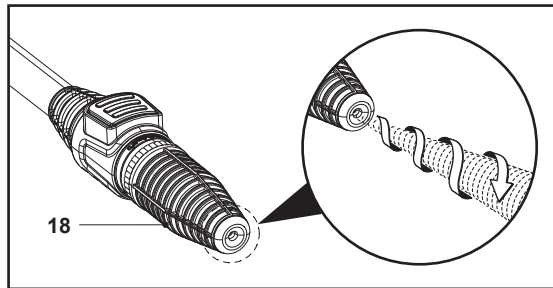


Fig. 12



PRECAUCIÓN NO INTENTE AJUSTAR LA BOQUILLA TURBO.

EVITE SU USO EN OBJETOS DELICADOS O CUYOS RECUBRIMIENTOS SE DESPRENDAN FÁCILMENTE.

Boquilla de la botella de detergente

La boquilla de la botella de detergente (20) puede pulverizar una mezcla de agua y detergente a baja presión.

Los detergentes pueden aumentar el efecto de limpieza del agua. Utilice únicamente detergentes neutros disponibles en el mercado.

Rellene y use el detergente como se muestra en la Fig. 13.

1. Sujete la boquilla de la botella de detergente (20) y, a continuación, desbloquee y retire la botella (20a) (Fig. 13, paso 1).
2. Asegúrese de que la tubería de suministro de agua está correctamente fijada a la boquilla de detergente (20).
3. Vierta un detergente neutro sin diluir en la botella.
4. Coloque la boquilla (20) en la botella de detergente (20a) (Fig. 13, paso 2).
5. Sujete la boquilla de la botella de detergente (20) y, a continuación, fije la botella (20a) firmemente en ella (Fig. 13, paso 3).
6. Gire el mando ajustable (20b) hacia la derecha para realizar un lavado con jabón a dosis altas y hacia la izquierda para un lavado con jabón a dosis bajas (Fig. 13, paso 4).
7. Monte la boquilla de la botella de detergente (20) en la pistola pulverizadora (15).
8. La boquilla de la botella de detergente (20) está lista para su uso.

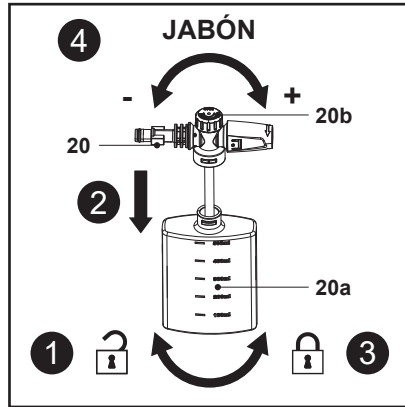


Fig. 13



ADVERTENCIA: NO UTILICE DETERGENTES ÁCIDOS NI ALCALINOS. UTILICE ÚNICAMENTE DETERGENTES NEUTROS DISPONIBLES EN EL MERCADO.

EL USO DE PRODUCTOS QUÍMICOS O DETERGENTES QUE NO SEAN NEUTROS PUEDE PROVOCAR ACCIDENTES O FALLOS DE FUNCIONAMIENTO.

Cepillo de patio

El cepillo de patio (21) puede eliminar a fondo la suciedad de las superficies y no es agresivo con el material.

Gire la perilla de ajuste de caudal (21a) hacia la derecha para aumentar la velocidad de limpieza y hacia la izquierda para reducirla (Fig. 14).

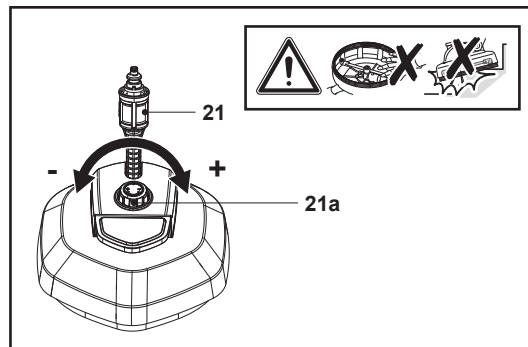


Fig. 14



ADVERTENCIA: EL CEPILLO DE PATIO (21) SOLO SE UTILIZA PARA LA LIMPIEZA DE SUPERFICIES Y PUEDE SUFRIR DAÑOS SI SE UTILIZA PARA LA LIMPIEZA DE BORDES.

NO TOQUE LA PIEZA GIRATORIA MIENTRAS LA MÁQUINA ESTÉ EN FUNCIONAMIENTO.

Ajuste del asa de transporte

1. Mantenga pulsado el botón de bloqueo del asa (2) y, a continuación, tire del asa de transporte (1) hasta el tope (Fig. 15).
2. Mantenga pulsado el botón de bloqueo del asa (2) y, a continuación, presione el asa de transporte (1) para retraerla (Fig. 16).

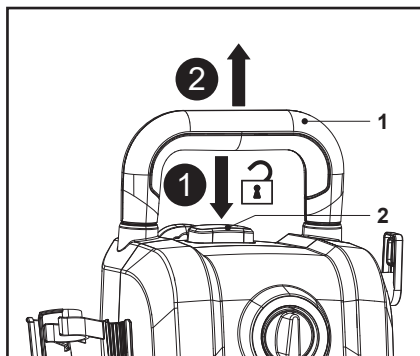


Fig. 15

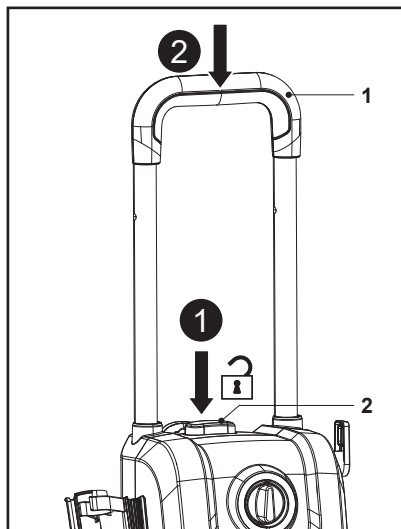


Fig. 16

Arranque



ADVERTENCIA: PARA EVITAR DAÑOS EN LA MÁQUINA, NO DEJE QUE FUNCIONE EN SECO.

ASEGÚRESE DE QUE LA HIDROLIMPIADORA ESTÁ COLOCADA SOBRE UN SUELO NIVELADO Y ESTABLE.

MANTENGA SIEMPRE LA HIDROLIMPIADORA EN POSICIÓN VERTICAL DURANTE EL USO.

1. Abra el grifo para que el agua fluya hacia la bomba (Fig. 17, paso 1).
2. Conecte el cable de alimentación (5) a la fuente de alimentación y asegúrese de que el interruptor giratorio de encendido / apagado (3) está en la posición de apagado (Fig. 17, paso 2).
3. Tire del bloqueo del gatillo (15b) situado en la parte inferior de la pistola pulverizadora (15) para desbloquear el gatillo de la pistola pulverizadora (15a) (Fig. 17, paso 3).
4. Presione completamente el gatillo (15a) hasta que salga un flujo constante de agua para eliminar el aire de la máquina y de la manguera de suministro de agua (Fig. 17, paso 4). A continuación, suelte el gatillo de la pistola pulverizadora (15a).
5. Encienda la máquina ajustando el interruptor giratorio de encendido / apagado (3) a la posición "I" (Fig. 17, paso 5).
6. Apunte con la pistola hacia abajo. Dirija la lanza hacia el objeto que desea limpiar. Asegúrese de que la distancia de trabajo es correcta.
7. Presione completamente el gatillo de la pistola pulverizadora (15a) para iniciar el chorro de agua.

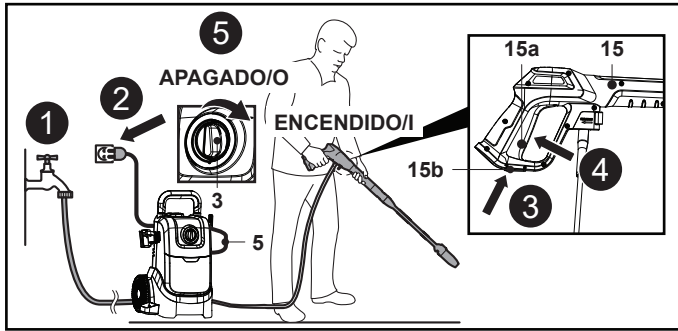


Fig. 17



ADVERTENCIA: UN USO PROLONGADO DEL APARATO PUEDE PROVOCAR PROBLEMAS DE CIRCULACIÓN EN LAS MANOS DEBIDO A LAS VIBRACIONES.

NO ES POSIBLE ESPECIFICAR UN TIEMPO DE USO VÁLIDO A NIVEL GENERAL, YA QUE INFLUYEN VARIOS FACTORES:

- PROPENSIÓN A SUFRIR PROBLEMAS DE CIRCULACIÓN SANGUÍNEA (DEDOS FRÍOS Y ENTUMECIDOS).
- TEMPERATURA AMBIENTE BAJA. UTILICE UNOS GUANTES QUE ABRIGUEN PARA PROTEGERSE LAS MANOS.
- UN AGARRE FIRME IMPIDE LA CIRCULACIÓN SANGUÍNEA.
- UN USO INTERMITENTE CON VARIAS PAUSAS PARA DESCANSAR ES PREFERIBLE A UN USO ININTERRUMPIDO. EN CASO DE UN USO CONTINUO Y PROLONGADO DEL DISPOSITIVO, Y SI SE REPITEN LOS SÍNTOMAS (POR EJEMPLO, FRÍO, ENTUMECIMIENTO O PROBLEMAS EN LOS DEDOS), CONSULTE A UN MÉDICO.

Parada



ADVERTENCIA: AL APAGAR LA MÁQUINA, LA PRESIÓN SIGUE SIENDO ALTA DENTRO DE LA MANGUERA Y DE LA MÁQUINA. APUNTE LA PISTOLA HACIA UNA DIRECCIÓN SEGURA Y DESCARGUE EL EXCESO DE PRESIÓN.

NUNCA DIRIJA EL CHORRO DE AGUA A ALTA PRESIÓN HACIA PERSONAS O ANIMALES.

1. Cierre el grifo.
2. Apriete el gatillo de la pistola pulverizadora (15a) hasta que salga agua por la boquilla para descargar la presión residual de dentro de la manguera de presión (13). La máquina ya está despresurizada.
3. Suelte el gatillo de la pistola pulverizadora (15a).
4. Empuje hacia delante el bloqueo del gatillo (15b) situado en la parte inferior de la pistola pulverizadora (15) para bloquear el gatillo de la pistola pulverizadora (15a). De esta manera, la pistola pulverizadora no se podrá accionar accidentalmente.
5. Apague la máquina ajustando el interruptor giratorio de encendido / apagado (3) a la posición "O".



NOTA: Si se deja la hidrolimpiadora encendida, podría llegar a funcionar en seco y provocar fallos de funcionamiento.

Función de parada automática

La máquina está diseñada para apagar el motor cuando se suelta el gatillo (15a) de la pistola pulverizadora (15).

Mecanismos de seguridad

La hidrolimpiadora está equipada con los siguientes mecanismos de seguridad para garantizar un uso seguro.

Interruptor giratorio de encendido / apagado

Evita que la hidrolimpiadora se ponga en marcha accidentalmente.

Gatillo de la pistola pulverizadora con bloqueo

Evita que se pueda pulsar el gatillo de la pistola pulverizadora (15a) para que la hidrolimpiadora no se ponga en marcha por accidente.

Interruptor de presión

Evita que la presión de la hidrolimpiadora supere los niveles permitidos. Al soltar el gatillo de la pistola pulverizadora (15a), la válvula accionada por la presión del agua detiene el funcionamiento de la bomba, lo que permite liberar la presión a través de la alimentación de agua. La bomba se vuelve a poner en marcha cuando se pulsa el gatillo de la pistola pulverizadora (15a).

Protector térmico

Protege el motor deteniendo todo mecanismo si detecta más calor de lo habitual. La máquina volverá a funcionar cuando el motor se enfríe.

ES Uso

Funcionamiento general

1. Antes de cada uso, compruebe la máquina, el cable de alimentación, el enchufe y los accesorios por si presentaran daños. No utilice la máquina si está dañada o desgastada. Solucione cualquier problema que encuentre o solicite a un especialista cualificado que revise la máquina.
2. Asegúrese de que los accesorios y las fijaciones estén bien instalados.
3. Transporte siempre la máquina por el asa de transporte (1) y las ruedas traseras (8).
4. Sostenga siempre la pistola pulverizadora firmemente con las dos manos por la empuñadura y la superficie de agarre. Mantenga la empuñadura y la superficie de agarre secas y libres de lubricante para garantizar una sujeción segura.
5. Asegúrese siempre de que las rejillas de salida del aire (11) no estén obstruidas. Si es necesario, límpielas con un cepillo suave. Si las rejillas de salida del aire están obstruidas, la máquina puede sobrecalentarse y dañarse.
6. Apague la máquina inmediatamente y desconéctela de la fuente de alimentación si otras personas acceden a la zona en la que la está utilizando. Espere siempre a que la máquina se detenga completamente antes de soltarla.
7. No realice un esfuerzo excesivo. Tómese descansos regulares para garantizar que puede concentrarse en el trabajo y controlar completamente la máquina.

Funcionamiento



ADVERTENCIA: NO UTILICE LA MÁQUINA SIN SUMINISTRO DE AGUA. DE LO CONTRARIO, PODRÍA TERMINAR FUNCIONANDO EN SECO, LO CUAL PUEDE CAUSAR DAÑOS A LA MÁQUINA.

NO SE ACERQUE DEMASIADO A LA MANGUERA DE PRESIÓN NI MUEVA LA HIDROLIMPIADORA TIRANDO DE LA MANGUERA, YA QUE LA MÁQUINA PODRÍA DESESTABILIZARSE Y CAERSE.

NO RETUERZA LA MANGUERA DE PRESIÓN NI PASE POR ENCIMA DE ELLA CON VEHÍCULOS DE MOTOR.

EVITE EL CONTACTO DE LA MANGUERA DE PRESIÓN CON BORDES AFILADOS Y ESQUINAS.

AL APRETAR EL GATILLO DE LA PISTOLA PULVERIZADORA, SE PRODUCEN FUERZAS DE RETROCESO. POR ESO, SOSTENGA SIEMPRE LA PISTOLA PULVERIZADORA CON AMBAS MANOS.

PRESTE ATENCIÓN PARA ADOPTAR UNA POSTURA DE SEGURIDAD. LA MANIPULACIÓN INADECUADA PUEDE PROVOCAR LESIONES.



ADVERTENCIA: NO UTILICE LA MÁQUINA SI LA TEMPERATURA AMBIENTE ES INFERIOR A 0 °C, YA QUE EL AGUA SE CONGELARÁ EN SU INTERIOR Y LA DAÑARÁ.

1. Instale en la pistola pulverizadora una boquilla adecuada para la operación que vaya a realizar.
2. Configure un patrón de pulverización adecuado si utiliza la boquilla variable (19).
3. Ajuste la distancia entre la boquilla y la superficie que se va a limpiar para que la superficie no resulte dañada.
4. Sujete la pistola pulverizadora (15) con las dos manos.
5. Encienda la máquina ajustando el interruptor giratorio de encendido / apagado (3) a la posición "I".
6. Apunte con la pistola hacia abajo. Dirija la lanza hacia el objeto que desea limpiar. Asegúrese de que la distancia de trabajo es correcta.
7. Presione completamente el gatillo de la pistola pulverizadora (15a) para iniciar el chorro de agua, como se muestra en la Fig. 18.
8. Mueva la lanza hacia delante con control, de manera uniforme y lenta, a lo largo de la superficie que se va a limpiar.



Fig. 18



ADVERTENCIA: TENGA CUIDADO CON EL RETROCESO QUE SE PRODUCE AL APRETAR EL GATILLO DE LA PISTOLA PULVERIZADORA (15A).



NOTA: Mantenga siempre una distancia razonable entre la boquilla y el objeto que se va a limpiar con el fin de evitar daños. Pregunte a su distribuidor especializado para obtener asesoramiento si fuera necesario.

9. Suelte el gatillo de la pistola pulverizadora (15a) para detener el chorro de agua.

Consejos

Procedimiento de limpieza recomendado

Disuelva la suciedad aplicando detergente mezclado con agua mientras la superficie sigue seca. Deje que el detergente actúe sobre la superficie durante unos minutos, pero no deje que se seque.

Cuando trabaje con superficies verticales, hágalo de abajo hacia arriba. Enjuague de abajo hacia arriba con un chorro de alta presión a una distancia mínima de 30 cm y con un ángulo de 45° y, a continuación, hágalo desde la parte superior hacia abajo.

En algunos casos, es necesario frotar con cepillos para eliminar la suciedad. Una presión alta no es siempre la mejor solución para buenos resultados de lavado, ya que puede dañar algunas superficies. La configuración de chorro más fuerte no debe utilizarse para componentes delicados o pintados, ni en componentes presurizados (por ejemplo, neumáticos, válvulas de inflado, etc.).

Un lavado eficaz depende tanto de la presión como del volumen de agua utilizados.

Comience pulverizando en una zona de prueba, donde no haya ningún objeto ni nadie cerca.

Limpieza con detergente

Al limpiar con la hidrolimpiadora, algunas de las tareas de limpieza se pueden completar solo con agua, pero para la mayoría de tareas suele ser conveniente utilizar algún tipo de detergente. Un detergente garantiza una impregnación rápida de la suciedad que permite al agua a alta presión penetrar y eliminar la suciedad de forma más eficaz.

La posición de baja presión permite aplicar el detergente de forma suave. Esta posición también se recomienda para enjuagar una superficie después de aplicar cera o para otras aplicaciones que requieran el uso de una manguera de jardín a baja presión. La presión baja equivale a una manguera de jardín configurada a la mínima presión para aplicar detergente de forma adecuada.

Cuando limpie una superficie vertical, pulverice la suciedad o el detergente de abajo hacia arriba. No permita que se seque.

Enjuague de arriba hacia abajo para limpiar la superficie con la boquilla de abanico.

Sistema de refrigeración

Las rejillas de salida del aire, situadas en el interior y alrededor de la hidrolimpiadora, deben mantenerse limpias y despejadas para garantizar una refrigeración adecuada del motor durante el funcionamiento. No rocíe nunca agua directamente sobre la hidrolimpiadora para limpiarla.



ADVERTENCIA: EVITE QUE EL AGUA PENETRE EN LAS REJILLAS DE SALIDA DEL AIRE DE LA MÁQUINA PARA MINIMIZAR EL RIESGO DE QUE SE PRODUZCAN DAÑOS EN LA MISMA, Y PARA REDUCIR EL RIESGO DE DESCARGA ELÉCTRICA PARA EL OPERARIO.

Suelos de madera y vinilo

Enjuague el suelo y el área circundante con agua limpia. Si utiliza detergente, conecte la boquilla de la botella de detergente (20) a la pistola pulverizadora y aplíquelo a baja presión en la zona que va a limpiar. Reduzca el área de trabajo a secciones más pequeñas y limpie cada sección de una en una para obtener unos resultados óptimos. Deje actuar el detergente sobre la superficie durante unos minutos y, a continuación, enjuáguelo a alta presión.

NO DEJE QUE EL PRODUCTO LIMPIADOR SE SEQUE. Limpie siempre de izquierda a derecha y de arriba abajo para obtener resultados óptimos. Aclare a alta presión mediante un chorro en abanico, manteniendo la punta de la boquilla al menos a 15-25 cm de la superficie de limpieza.

Mantenga una distancia mayor respecto al área de limpieza cuando utilice una pulverización directa.



PRECAUCIÓN CON MADERAS MÁS BLANDAS, AUMENTE LA DISTANCIA CON RESPECTO AL ÁREA DE LIMPIEZA.

Patios de cemento, piedra y ladrillo

Aclare la zona de limpieza y la zona circundante con agua limpia. Si utiliza detergente, conecte la boquilla de la botella de detergente (20) a la pistola pulverizadora y aplíquelo a baja presión en la zona que va a limpiar. Aclare a alta presión mediante un chorro en abanico haciendo un movimiento de barrido y manteniendo la boquilla al menos a 7-15 cm de distancia de la superficie de limpieza.

Mantenga una distancia mayor respecto al área de limpieza cuando utilice una pulverización directa.

Automóviles, embarcaciones y motocicletas

Aclare la zona de limpieza y la zona circundante con agua limpia. Si utiliza detergente, conecte la boquilla de la botella de detergente (20) a la pistola pulverizadora y aplíquelo a baja presión en la zona que va a limpiar. Para obtener resultados óptimos, limpie cada lado por separado. Deje que el detergente actúe sobre la superficie durante unos minutos, pero no deje que se seque. Aclare a alta presión mediante un chorro en abanico haciendo un movimiento de barrido y manteniendo la boquilla al menos a 20 cm de distancia de la superficie de limpieza.

Seque la superficie para un acabado pulido.



ADVERTENCIA: NO UTILICE NUNCA UN CHORRO CONCENTRADO PARA LIMPIAR LA PINTURA DE VEHÍCULOS DE MOTOR O EMBARCACIONES. NO UTILICE LA HIDROLIMPIADORA PARA LIMPIAR EL MOTOR.

Parrillas de barbacoa, equipos eléctricos y herramientas de jardín

Aclare la zona de limpieza y la zona circundante con agua limpia. Si utiliza detergente, conecte la boquilla de la botella de detergente (20) a la pistola pulverizadora y aplíquelo a baja presión en la zona que va a limpiar. Deje que el detergente actúe sobre la superficie durante unos minutos, pero no deje que se seque. Aclare a alta presión mediante un chorro en abanico, manteniendo la punta de la boquilla al menos a 8 cm de la superficie de limpieza. Mantenga una distancia mayor respecto al área de limpieza cuando utilice una pulverización directa.

Después del uso

1. Apague la máquina, desconéctela de la fuente de alimentación y deje que se enfríe.
2. Libere la presión del interior de la máquina.
3. Revise, limpie y almacene la máquina como se describe a continuación.
4. Desconecte la manguera de jardín de la máquina y del suministro de agua.
5. Retire la manguera de presión de la pistola pulverizadora (15) y de la máquina.
6. Drene todo el agua residual de la manguera de presión (13).
7. Inclíne la hidrolimpiadora para drenar el agua residual.



ADVERTENCIA: EL AGUA RESIDUAL QUE SE QUEDE EN LA HIDROLIMPIADORA PUEDE CONGELARSE EN INVIERNO Y ESTO PUEDE OCASIONAR DAÑOS EN LA BOMBA.

ES Cuidado y mantenimiento

Reglas de oro para el cuidado del producto



ADVERTENCIA: ANTES DE LLEVAR A CABO TAREAS DE INSPECCIÓN, MANTENIMIENTO Y LIMPIEZA, APAGUE SIEMPRE LA MÁQUINA, DESCONÉCTELA DE LA FUENTE DE ALIMENTACIÓN Y DEJE QUE SE ENFRÍE.



REALICE LAS TAREAS DE CUIDADO Y MANTENIMIENTO SOLO DE ACUERDO CON ESTAS INSTRUCCIONES. CUALQUIER OTRO TRABAJO DEBERÁ REALIZARLO UN ESPECIALISTA CUALIFICADO.

1. Mantenga la máquina limpia. Retire la suciedad después de cada uso y antes del almacenaje.
2. Una limpieza adecuada y regular ayudará a garantizar un uso seguro y prolongar la vida útil de la máquina.
3. Inspeccione la máquina antes de cada uso por si hubiera piezas dañadas o desgastadas. No lo utilice si hay piezas rotas o desgastadas.



ADVERTENCIA: REALICE SOLAMENTE LAS LABORES DE REPARACIÓN Y MANTENIMIENTO INDICADAS EN ESTAS INSTRUCCIONES. CUALQUIER OTRO TRABAJO DEBERÁ REALIZARLO UN ESPECIALISTA CUALIFICADO.

Limpieza general

1. Limpie la máquina con una bayeta húmeda y jabón de pH neutro. Utilice un cepillo para las áreas de difícil acceso.
2. En particular, limpie las rejillas de salida del aire después de cada uso con una bayeta y un cepillo.



NOTA: No utilice productos químicos, abrasivos o alcalinos, ni otros detergentes o desinfectantes agresivos para limpiar este producto, ya que podrían dañar sus superficies.

3. Compruebe si hay daños o desgaste. Repare los daños conforme a este manual de instrucciones, o bien lleve la máquina a un centro de servicio autorizado antes de volver a usarla.
4. Cambie las dos juntas tóricas (Ø10) (24) de la manguera de presión (13) y la junta tórica (Ø12) (25) del adaptador de entrada de agua (22) si es necesario.

Limpieza de la boquilla

1. Desconecte la boquilla (18/19/21) de la lanza de prolongación (16). Desconecte la boquilla de la botella de detergente (20), la lanza de prolongación (16) y la barra de extensión (17) de la pistola pulverizadora (15) (Fig. 19).
2. Quite la suciedad de la boquilla con la aguja de limpieza (23) (Fig. 20).

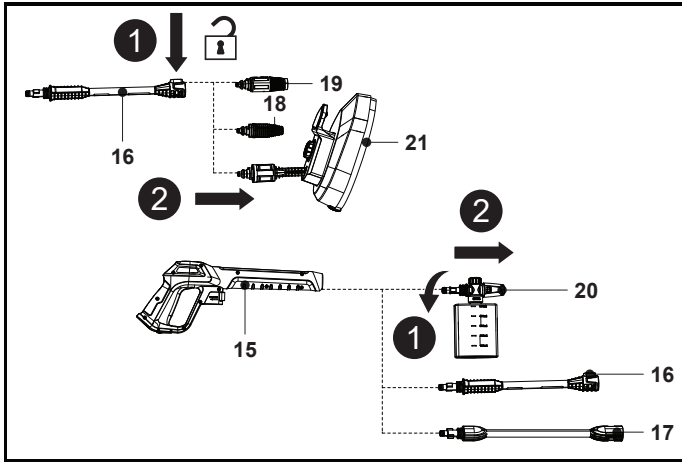


Fig. 19

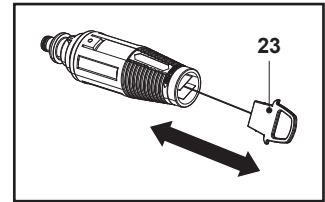


Fig. 20

Limpieza del filtro de malla

1. Retire el adaptador de entrada de agua (22) del conector de entrada de agua (12) (Fig. 21).
2. Retire el filtro de malla (12a) del conector de entrada de agua (12) y enjuáguelo bajo el grifo para eliminar cualquier objeto extraño (Fig. 22). A continuación, vuelva a instalar el filtro de malla (12a).
3. Inspeccione el filtro de malla (12a) antes de cada uso y límpielo si es necesario.

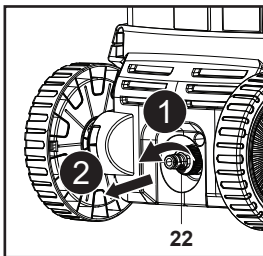


Fig. 21

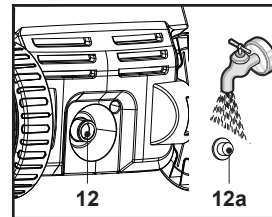


Fig. 22

Manguera de presión

Después de utilizar la hidrolimpiadora, la manguera de presión (13) debe enrollarse formando un círculo. El círculo debe formarse en el mismo sentido que el original.



NOTA: Si enrolla la manguera de presión en sentido contrario, provocará daños irreversibles en ella.

Descalcificación

De vez en cuando y de acuerdo con la naturaleza de su agua de grifo, se formarán sedimentos de calcio en el producto y los accesorios. El tamaño de los sedimentos (y por consiguiente, la frecuencia de la descalcificación) depende del grado de dureza del agua y de con qué frecuencia se utiliza el producto. Compruebe la dureza del agua en su zona preguntado a su empresa de suministro.



NOTA: Utilice una mezcla de agua y ácido cítrico o vinagre para la descalcificación. Estas sustancias son fácilmente biodegradables y respetuosas con el medio ambiente.

1. Haga una mezcla de una parte de vinagre y dos partes de agua caliente (≤ 50 °C) en un recipiente adecuado, por ejemplo, en un cuenco.
2. Coloque los accesorios desmontables en la mezcla.
3. Deje los accesorios en la mezcla durante aproximadamente 12 horas.
4. Enjuague los accesorios con agua limpia.

Lubricación

La hidrolimpiadora cuenta con un sistema de lubricación permanente. No es necesario realizar revisiones ni cambios de aceite convencionales.



NOTA: Es normal que se produzca una pequeña fuga de aceite.

Mantenimiento

Antes y después de cada uso, revise el producto y los accesorios para detectar cualquier indicio de desgaste y daños. Si es necesario, cámbielos por otros nuevos como se describe en este manual de instrucciones. Respete los requisitos técnicos.

Cable de alimentación

Si el cable de alimentación de esta herramienta eléctrica está dañado, debe reemplazarse por un cable de alimentación especialmente preparado y disponible a través de la organización de servicio.

Piezas de repuesto / Piezas de recambio

Las siguientes piezas de este producto las puede sustituir el consumidor. Puede obtener piezas de repuesto en un distribuidor autorizado o a través de nuestro servicio de atención al cliente.

Descripción	N.º de modelo o especificación
Pistola pulverizadora (15)	Pistola YLG22
Lanza de prolongación (16)	Lanza de prolongación YLG22
Barra de extensión (17)	Barra de extensión para cepillo de patio
Boquilla turbo (18)	Boquilla turbo YLG21
Boquilla variable (19)	Boquilla variable YLG21
Boquilla de la botella de detergente (20)	Boquilla de chorro de espuma YLG204
Cepillo de patio (21)	Cepillo de patio YLS12
Adaptador de entrada de agua (22)	Entrada corta de agua de color negro

Reparación

Esta máquina no contiene piezas que pueda reparar el consumidor. Póngase en contacto con un centro de servicio autorizado o una persona cualificada para que la compruebe y repare.

Almacenaje

1. Apague la máquina y desconéctela de la fuente de alimentación.
2. Limpie la máquina de la forma descrita anteriormente.
3. Almacene la máquina y sus accesorios en un lugar oscuro, seco, sin heladas y bien ventilado.
4. Guarde siempre la máquina en un lugar inaccesible para los niños. La temperatura de almacenaje ideal es de entre 10 °C y 30 °C.
5. Se recomienda utilizar el embalaje original para el almacenaje o cubrir la máquina con una tela o envoltorio adecuados para protegerla del polvo.

Transporte

1. Apague la máquina y desconecte el enchufe de la fuente de alimentación antes de transportarla.
2. Enrolle el cable de alimentación (5) alrededor de los dos anclajes (4) y fíjelo en su sitio con el sujetacables suministrado (5a) (Fig. 23).
3. Enrolle la manguera de presión (13) y guarde la pistola pulverizadora (15), la lanza de prolongación (16), la boquilla de la botella de detergente (20) y la boquilla (18/19) (Fig. 24).
4. Transporte siempre la máquina por el asa de transporte (1) y las ruedas traseras (8).
5. Proteja la máquina frente a impactos o vibraciones fuertes que puedan producirse durante su transporte en vehículos.
6. Asegure la máquina para evitar que se deslice o caiga, o se produzcan daños o lesiones.

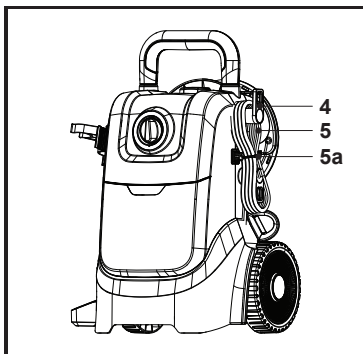


Fig. 23

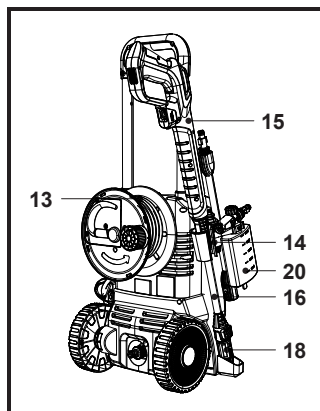


Fig. 24

Resolución de problemas

A menudo, las posibles averías se deben a causas que puede solucionar el propio usuario. Por lo tanto, guíese por esta sección para verificar el producto. En la mayoría de los casos, el problema se puede resolver rápidamente.



ADVERTENCIA: REALICE ÚNICAMENTE LOS PASOS DESCRITOS EN ESTAS INSTRUCCIONES. CUALQUIER OTRA LABOR DE INSPECCIÓN, MANTENIMIENTO O REPARACIÓN DEBE REALIZARLA UN CENTRO DE SERVICIO AUTORIZADO O UNA PERSONA CUALIFICADA SI USTED NO PUEDE RESOLVER EL PROBLEMA.

Problema	Posible causa	Solución
1. El producto no se pone en marcha	1.1. El producto no está conectado a la fuente de alimentación 1.2. El cable de alimentación o el enchufe tienen un defecto 1.3. El producto tiene un defecto eléctrico de otro tipo	1.1. Conéctelo a una fuente de alimentación 1.2. Deberá revisarlo un electricista especializado 1.3. Deberá revisarlo un electricista especializado
2. La bomba no alcanza la máxima potencia	2.1. El alargador no es apto para su uso con este producto 2.2. La fuente de alimentación (por ejemplo, generador) suministra una tensión demasiado baja 2.3. Las rejillas de salida del aire están obstruidas 2.4. La boquilla está desgastada 2.5. El filtro está obstruido 2.6. La presión del suministro de agua es baja 2.7. Entrada de aire en el sistema 2.8. Aire en la bomba 2.9. La boquilla variable no está colocada correctamente	2.1. Utilice un alargador adecuado 2.2. Conecte el producto a otra fuente de alimentación 2.3. Limpie las rejillas de salida del aire 2.4. Sustituya la boquilla 2.5. Limpie el filtro de malla del adaptador de entrada de agua 2.6. Abra completamente el grifo de agua 2.7. Compruebe el apriete de los racores de la manguera 2.8. Apague la máquina y siga presionando y soltando el gatillo de la pistola hasta que el agua salga con un flujo constante. Vuelva a encender la máquina. 2.9. Cambie la boquilla variable del modo de pulverización al modo de chorro
3. Cae la presión durante el uso	3.1. El agua procede de un depósito de agua externo 3.2. La temperatura del agua de entrada es demasiado alta 3.3. La boquilla está obstruida 3.4. El filtro de entrada está sucio	3.1. Conecte la máquina al suministro de agua principal 3.2. Reduzca la temperatura del agua 3.3. Limpie la boquilla 3.4. Limpie el filtro de malla del adaptador de entrada de agua
4. Fuertes fluctuaciones de presión	4.1. La presión del suministro de agua es demasiado baja 4.2. El filtro de entrada está sucio 4.3. Entrada de aire en el sistema	4.1. Abra completamente el grifo de agua 4.2. Limpie el filtro de malla del adaptador de entrada de agua 4.3. Compruebe el apriete de los racores de la manguera

Problema	Posible causa	Solución
5. Fuga de agua en la máquina	5.1. La junta está desgastada	5.1. Reemplace la junta
6. El producto genera un ruido o una vibración excesivos	6.1. Presión del suministro de agua baja 6.2. Problemas del motor 6.3. Tornillos y tuercas flojos	6.1. Abra completamente el grifo de agua 6.2. Deberá revisarlo un electricista especializado 6.3. Apriete los tornillos y las tuercas

Reciclaje y eliminación



Este símbolo se conoce como el "símbolo del contenedor tachado". Si se muestra este símbolo en un producto o en una batería, significa que no se debe desechar con la basura doméstica general. Algunos productos químicos de los productos eléctricos o electrónicos y de las baterías pueden ser perjudiciales para la salud y el medio ambiente. Deseche los artículos eléctricos o electrónicos y las baterías únicamente en los puntos de recogida especializados en la recuperación y el reciclaje de los materiales que contienen. Su cooperación es vital para garantizar el éxito de estas iniciativas y la protección del medioambiente.

El producto se suministra en un embalaje que lo protege frente a los daños durante el transporte. Conserve el embalaje hasta que tenga la seguridad de que incluye todas las piezas y de que el producto funciona correctamente. A continuación, recicle el embalaje.

Garantía

Nos ocupamos especialmente en seleccionar materiales de alta calidad y usar técnicas de fabricación que nos permitan crear productos que aporten diseño y durabilidad. Este producto tiene una garantía del fabricante de 2 años frente a defectos de fabricación, a partir de la fecha de adquisición (si se adquiere en una tienda) o de entrega (si se adquiere por Internet), sin coste adicional para uso normal doméstico (ni profesional ni comercial).

Para presentar una reclamación en el marco de esta garantía, deberá presentar el comprobante de compra (como un recibo, factura de compra u otras pruebas admisibles en virtud de la ley aplicable); conserve su comprobante de compra en un lugar seguro. Para poder acogerse a esta garantía, el producto adquirido deberá ser nuevo; la garantía no se aplicará a productos de segunda mano o productos de exposición. A menos que la legislación vigente indique lo contrario, todo producto de sustitución entregado conforme a esta garantía estará cubierto solo hasta la fecha de vencimiento de la garantía original.

La presente garantía cubre los fallos y anomalías del producto siempre y cuando este se haya utilizado para los fines para los que está destinado y que su instalación, limpieza, cuidado y mantenimiento se hayan efectuado de conformidad tanto con la información descrita en estos términos y condiciones y en el manual del usuario, como con la práctica habitual, siempre y cuando esta no entre en conflicto con el contenido del manual de usuario.

Esta garantía no cubre defectos ni daños causados por el desgaste normal, ni daños que pudiesen ser resultado de usos indebidos, instalaciones o montajes deficientes, negligencia, accidente, uso indebido o modificación del producto. A menos que se indique lo contrario en la ley aplicable, esta garantía no cubre, bajo ningún concepto, los gastos accesorios (transporte, movimiento, costes de desinstalación y reinstalación, mano de obra, etc.) ni los daños directos o indirectos.

Esta garantía no cubre defectos y daños causados por o como resultado de:

- Uso y desgaste normal
- Sobrecarga, mal uso o negligencia
- Intentos de reparación realizados por personas no autorizadas
- Daños estéticos
- Daños causados por objetos extraños, sustancias o accidentes
- Daños accidentales o modificación
- Incumplimiento en seguir las pautas del fabricante
- Pérdida de los bienes

Si el producto es defectuoso, procederemos, en un plazo razonable, a su reparación, sustitución, reembolso, revisión o reposición de piezas.

Los derechos en virtud de esta garantía tendrán vigencia en el país donde haya adquirido el producto. Las consultas relacionadas con la garantía deberán dirigirse a la tienda en la que adquirió el producto. La garantía es complementaria y no afecta a sus derechos legales.

Si adquirió este producto en España, el distribuidor será responsable de las faltas de conformidad del producto según las disposiciones establecidas en los artículos 114 a 124 del Real Decreto Legislativo 1/2007, con fecha del 16 de noviembre, por el que se aprueba el texto refundido de la Ley General para la Defensa de los Consumidores y Usuarios y otras leyes complementarias.

IMPORTANTE – GUARDE ESTA INFORMACIÓN PARA FUTURAS CONSULTAS: LEA ATENTAMENTE



(EN) EU DECLARATION OF CONFORMITY
(FR) DÉCLARATION UE DE CONFORMITÉ
(PL) DEKLARACJA ZGODNOŚCI UE
(RO) DECLARAȚIA DE CONFORMITATE UE
(ES) DECLARACIÓN UE DE CONFORMIDAD
(PT) DECLARAÇÃO DE CONFORMIDADE UE

Product/Produit/Produkt/Produsul/Producto/Produto

- Electric high pressure washer 2200 W / Nettoyeur haute pression électrique 2200 W / Myjka ciśnieniowa elektryczna 2200 W / Aparat electric de spălat cu presiune de 2 200 W / Hidrolimpiadora eléctrica de 2200 W / Lavadora eléctrica de alta pressão 2200 W
- MCB1286PRW / TTB1288PRW
- SN: 000001-999999

Name and address of the manufacturer or his authorised representative:

Nom et adresse du fabricant ou de son mandataire:

Nazwa i adres producenta lub jego upoważnionego przedstawiciela:

Denumirea și adresa producătorului sau a reprezentantului său autorizat:

Nombre y dirección del fabricante o de su representante autorizado:

Nome e endereço do fabricante ou do respetivo mandatário:

Kingfisher International Products B.V.,
Rapenburgerstraat 175E,
1011 VM Amsterdam,
The Netherlands

This declaration of conformity is issued under the sole responsibility of the manufacturer.

La présente déclaration de conformité est établie sous la seule responsabilité du fabricant.

Niniejsza deklaracja zgodności wydana zostaje na wyłączną odpowiedzialność producenta.

Prezenta declarație de conformitate este emisă pe răspunderea exclusivă a producătorului.

La presente declaración de conformidad se expide bajo la exclusiva responsabilidad del fabricante.

A presente declaração de conformidade é emitida sob a exclusiva responsabilidade do fabricante.

Object of the declaration/Objet de la declaration/Przedmiot deklaracji/Obiectul declarației/Objeto de la declaración/Objeto da declaração

Product/Produit/Produkt/Produsul/Producto/Produto	Model/Modèle/Model/Modelul/Modelo/Modelo	EAN
Electric high pressure washer 2200 W / Nettoyeur haute pression électrique 2200 W / Myjka ciśnieniowa elektryczna 2200 W / Aparat electric de spălat cu presiune de 2 200 W / Hidrolimpiadora eléctrica de 2200 W / Lavadora eléctrica de alta pressão 2200 W	MCB1286PRW / TTB1288PRW	5063022719553 5063022719492 5063022719591 5063022719614

The object of the declaration described above is in conformity with the relevant Union harmonisation legislation:

L'objet de la déclaration décrit ci-dessus est conforme à la législation d'harmonisation de l'Union applicable:

Wymieniony powyżej przedmiot niniejszej deklaracji jest zgodny z odnośnymi wymaganiami unijnego prawodawstwa harmonizacyjnego:

Obiectul declarației descris mai sus este în conformitate cu legislația relevantă de armonizare a Uniunii:

El objeto de la declaración descrita anteriormente es conforme con la legislación de armonización pertinente de la Unión:

O objeto da declaração acima descrito está em conformidade com a legislação de harmonização da União aplicável:

2006/42/EC as amended Machinery Directive
2014/30/EU as amended Directive Electromagnetic compatibility
2011/65/EU, (EU) 2015/863 as amended Directive Restriction of the use of certain hazardous substances in electrical and electronic equipment
2012/19/EU as amended Waste Electrical and Electronic Equipment (WEEE)
Regulation (EC) No 1907/2006, concerning the Registration, Evaluation, Authorization and Restriction of Chemicals (REACH)

References to the relevant harmonised standards used or references to the other technical specifications in relation to which conformity is declared:

Références des normes harmonisées pertinentes appliquées, y compris la date de celles-ci, ou des autres spécifications techniques, y compris la date de celles-ci, par rapport auxquelles la conformité est déclarée: Odwołania do odnośnych norm zharmonizowanych, które zastosowano, wraz z datą normy, lub do innych specyfikacji technicznych, wraz z datą specyfikacji, w odniesieniu do których deklarowana jest zgodność:

Trimiteri la standardele armonizate relevante folosite, inclusiv data standardului, sau trimiteri la celelalte specificații tehnice, inclusiv data specificațiilor, în legătură cu care se declară conformitatea:

Referencias a las normas armonizadas pertinentes utilizadas, incluidas las fechas de las normas, o referencias a las otras especificaciones técnicas, incluidas las fechas de las especificaciones, respecto a las cuales se declara la conformidad:

Referências às normas harmonizadas aplicáveis utilizadas, incluindo a data da norma, ou às outras especificações técnicas, incluindo a data da especificação, em relação às quais é declarada a conformidade:

EN 60335-1:2012+A11:2014+A13:2017+A1:2019+A2:2019+A14:2019+A15:2021+A16:2023

EN 60335-2-79:2012

EN 62233:2008

EN IEC 55014-1:2021

EN IEC 55014-2:2021

EN IEC 61000-3-2:2019+A1:2021+A2:2024

EN IEC 61000-3-11:2019

Authorised signatory and technical file holder/signataire et responsable de la documentation technique autorisé/podmiot uprawniony do wystawienia i adres przechowywania dokumentacji technicznej/semnatar autorizat și deținător al dosarului tehnic/firmante autorizado y titular del expediente técnico/signatário autorizado e detentor da ficha técnica

Kingfisher International Products B.V.,
Rapenburgerstraat 175E,
1011 VM Amsterdam,
The Netherlands



David Awe
Group Quality & Sustainability Director

: [04/30/2022]

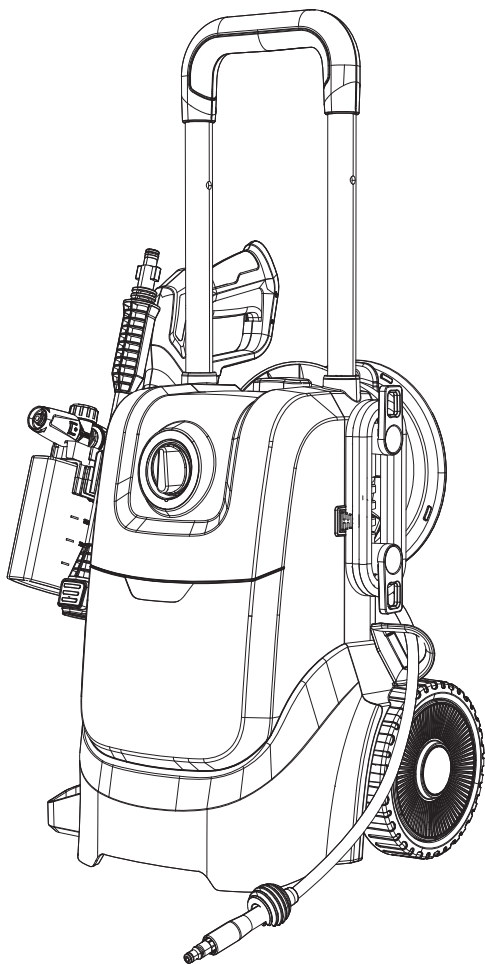
Fabricante:

EU Manufacturer:

Kingfisher International Products B.V.,
Rapenburgerstraat 175E,
1011 VM Amsterdam,
The Netherlands

ES www.bricodepot.es

**Para consultar los manuales
de instrucciones en línea, visite
www.kingfisher.com/products**



PT MANUAL ORIGINAL

IMPORTANTE - Estas instruções são fornecidas para sua segurança. Leia-as atentamente antes de manusear o produto e guarde-as para referência futura.

ATENÇÃO: Leia as instruções antes de utilizar a máquina!



PT Lavadora elétrica de alta pressão 2200 W

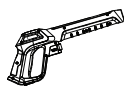
MCB1286PRW
5063022719553
5063022719492
TTB1288PRW
5063022719591
5063022719614

V11025_5063022719553_MAND4_2425_RP0539

PT Peças



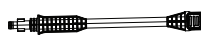
01. x1



02. x1



03. x1



04. x1



05. x1



06. x1



07. x1



08. x1



09. x1



10. x1



11. x1



12. x1



13. x1



14. x3
(Ø5,1 x 1,8, x2)
(Ø11,5 x 2,5, x1)



15. x1
(ST3,5 x 13)

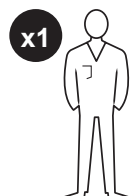


16. x2
(ST4,8 x 16)
(ST4,8 x 16 com
cabeça de parafuso
grande)



17. x1

PT Vai precisar de



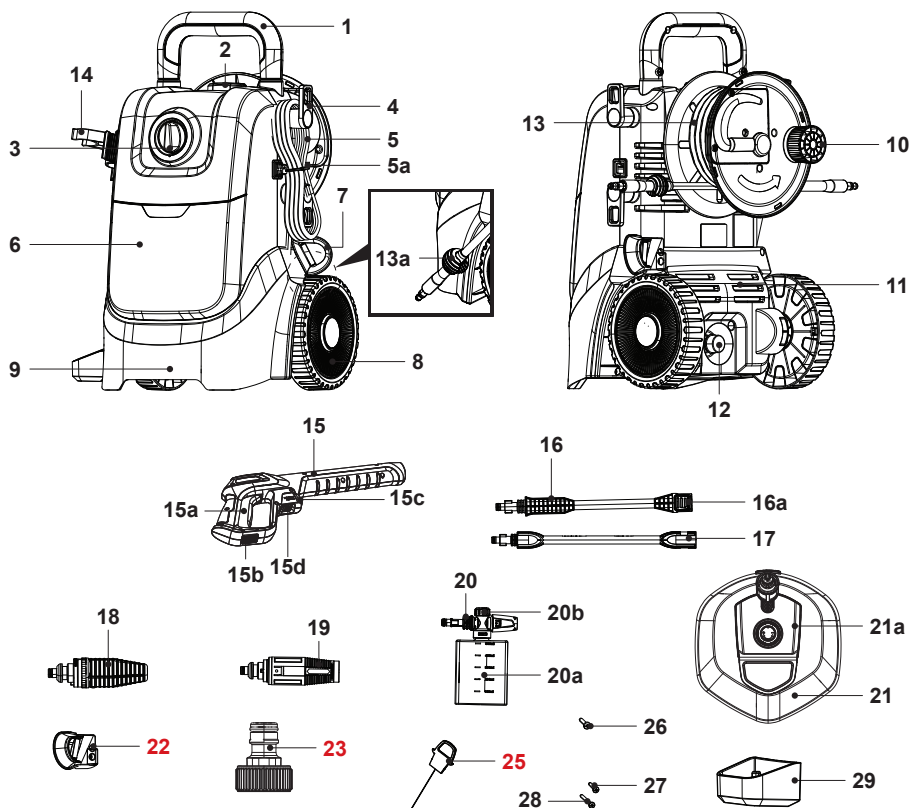
(artigos não fornecidos)

- Equipamento de proteção individual adequado
- Prolongador adequado para utilização em exteriores
- Mangueira de jardim com união e filtro
- Detergente adequado
- Chave de parafusos de cabeça cruzada adequada

PT Conteúdo

PT	
Descrição do produto	3
Segurança	4
Preparação	15
Montagem	16
Funções e configurações	22
Utilização	28
Cuidados e manutenção	31
Garantia	36
Declaração de conformidade	38

PT Descrição do produto



- | | | |
|--|---------------------------------|---|
| 1. Pega de transporte | 13. Mangueira de pressão | 20. Bocal do recipiente de detergente |
| 2. Botão de bloqueio da pega | a. Anel de fixação | a. Recipiente |
| 3. Interruptor rotativo ligar / desligar (I/O) | 14. Suporte da suspensão | b. Bocal do recipiente de detergente |
| 4. Suporte do cabo (x2) | 15. Pistola de pulverização | 21. Escova para pátio |
| 5. Cabo de alimentação com ficha | a. Gatilho | a. Botão de ajuste de fluxo |
| a. Grampo do cabo | b. Bloqueio do gatilho | 22. Adaptador de entrada de água |
| 6. Caixa do motor | c. Patilha de libertação rápida | 23. Agulha |
| 7. Guia da mangueira | d. Conetor de mangueira | 24. Junta tórica (Ø5,1 x 1,8) (x2) |
| 8. Roda traseira (x2) | 16. Lança de extensão | 25. Junta tórica (Ø11,5 x 2,5) |
| 9. Pé dianteiro (x2) | a. Botão de bloqueio | 26. Parafuso (ST3,5 x 13) |
| 10. Botão do carreto de mangueira | 17. Cabo extensor | 27. Parafuso (ST4,8 x 16) |
| 11. Respiradouros | 18. Bocal turbo | 28. Parafuso (ST4,8 x 16 com cabeça de parafuso grande) |
| 12. Conetor da entrada de água | 19. Bocal variável | 29. Porta-arma |



Avisos gerais de segurança da máquina



AVISO! LEIA TODOS OS AVISOS, INSTRUÇÕES, ILUSTRAÇÕES E ESPECIFICAÇÕES DE SEGURANÇA FORNECIDOS COM ESTA FERRAMENTA ELÉTRICA. A NÃO OBSERVÂNCIA DE TODAS AS INSTRUÇÕES LISTADAS ABAIXO PODE RESULTAR EM CHOQUE ELÉTRICO, INCÊNDIO E / OU FERIMENTOS GRAVES.

GUARDE TODOS OS AVISOS E INSTRUÇÕES PARA REFERÊNCIA FUTURA.

O TERMO "FERRAMENTA ELÉTRICA" PRESENTE NOS AVISOS REFERE-SE A UMA FERRAMENTA LIGADA À REDE ELÉTRICA (COM FIOS) OU UMA FERRAMENTA ELÉTRICA DE FUNCIONAMENTO A BATERIA (SEM FIOS).

Segurança na área de trabalho

- **Mantenha a área de trabalho limpa e bem iluminada.** As áreas desorganizadas ou escuras são propícias a acidentes.
- **Não utilize máquinas em atmosferas explosivas, como na presença de líquidos, gases ou pós inflamáveis.** As máquinas criam faíscas que podem inflamar pó ou fumos.
- **Mantenha as crianças e outros transeuntes afastados durante a utilização da máquina.** Quaisquer distrações podem causar a perda de controlo.

Segurança elétrica

- **As fichas da máquina devem corresponder à tomada. Nunca modifique a ficha de forma alguma. Não utilize fichas adaptadoras ou triplas com máquinas que precisam de ligação à terra.** Utilizar fichas não modificadas e tomadas correspondentes irá reduzir o risco de choque elétrico.
- **Evite o contacto corporal com superfícies ligadas à terra como canos, radiadores, fogões e frigoríficos.** Existe um maior risco de choque elétrico se o seu corpo estiver em contacto com a terra.
- **Não utilize o cabo de forma negligente. Nunca utilize o cabo para transportar, puxar ou desligar a máquina. Mantenha o cabo afastado de fontes de calor, óleo, arestas afiadas e peças móveis.** Utilizar cabos danificados ou cruzados aumenta o risco de choque elétrico.
- **Ao utilizar uma máquina no exterior, utilize um prolongador adequado para utilização no exterior.** Utilizar um cabo adequado para utilização no exterior reduz o risco de choque elétrico.
- **Se não for possível evitar a utilização de uma máquina numa área com humidade, utilize uma alimentação elétrica protegida por um disjuntor diferencial residual (DDR).** A utilização de um DDR reduz o risco de choque elétrico.

Avisos de segurança adicionais para lavadora de alta pressão:

- Esta máquina pode ser utilizada por pessoas com capacidades físicas, sensoriais ou mentais reduzidas, ou com falta de experiência e conhecimento, caso lhes seja disponibilizada supervisão ou instruções relativas à utilização segura da máquina e se compreenderem os perigos envolvidos.
- As máquinas não devem ser utilizadas por crianças.
- As crianças devem ser supervisionadas para garantir que não brincam com o aparelho.

- Verifique regularmente se existem danos no cabo elétrico. Se o cabo de alimentação estiver danificado, tem de ser substituído pelo fabricante, pelo respetivo técnico de assistência ou por pessoal devidamente qualificado a fim de evitar situações de perigo.
- Utilize equipamento de proteção individual (EPI) adequado durante a utilização, por exemplo, botas de segurança, luvas de segurança, capacetes de segurança com viseiras, proteção auditiva, etc.



AVISO! A UTILIZAÇÃO DE PROLONGADORES INADEQUADOS PODE SER PERIGOSA. SE FOR UTILIZADO UM PROLONGADOR, ESTE DEVE SER ADEQUADO PARA UTILIZAÇÃO NO EXTERIOR E A LIGAÇÃO DEVE SER MANTIDA SECA E AFASTADA DO SOLO. RECOMENDA-SE QUE O FAÇA ATRAVÉS DE UM ENROLADOR DE CABO QUE MANTÉM A TOMADA A, PELO MENOS, 60 MM ACIMA DO SOLO.



AVISO! RETIRE A FICHA DA TOMADA E DESLIGUE-A DA FONTE DE ALIMENTAÇÃO DURANTE A LIMPEZA OU MANUTENÇÃO E QUANDO SUBSTITUIR PEÇAS OU CONVERTER A MÁQUINA PARA OUTRA FUNÇÃO.

- Não toque na ficha nem na tomada com as mãos molhadas. A ligação da alimentação elétrica deve ser efetuada por um eletricista qualificado e estar em conformidade com a norma IEC 60364-1. Recomenda-se que a alimentação elétrica desta máquina inclua um disjuntor diferencial residual que interrompa a alimentação se a corrente de fuga à terra exceder os 30 mA durante 30 ms ou um dispositivo que comprove o circuito de terra.



AVISO! DESLIGUE SEMPRE O INTERRUTOR DE CORTE DA REDE ELÉTRICA QUANDO DEIXAR A MÁQUINA SEM VIGILÂNCIA.

- Nunca transporte a sua lavadora de alta pressão pelo cabo. Não puxe o cabo para o desligar da tomada elétrica.



AVISO! PODEM FORMAR-SE AEROSSÓIS DURANTE A UTILIZAÇÃO DE LAVADORAS DE ALTA PRESSÃO. A INALAÇÃO DE AEROSSÓIS PODE SER PREJUDICIAL PARA A SAÚDE.



AVISO! AS LESÕES RESULTANTES DE INJEÇÃO DE ALTA PRESSÃO SÃO CONSIDERADAS EMERGÊNCIAS MÉDICAS. EM CASO DE OCORRÊNCIA DE LESÕES RESULTANTES DE INJEÇÃO DE ALTA PRESSÃO, PROCURE IMEDIATAMENTE ASSISTÊNCIA MÉDICA.



AVISO! É PROIBIDO UTILIZAR LAVADORAS DE PRESSÃO EM MATERIAIS QUE CONTENHAM AMIANTO (TELHADOS DE PLACAS DE CIMENTO, VEDAÇÕES, PAREDES, ETC.). UM GRANDE NÚMERO DE FIBRAS DE AMIANTO PODE SER LIBERTADO PARA O AR, O QUE CONSTITUI UM GRAVE PERIGO PARA A SAÚDE. SE NÃO TIVER A CERTEZA SOBRE OS MATERIAIS QUE ESTÁ A PULVERIZAR, RECOMENDA-SE QUE CONTACTE O SEU MUNICÍPIO OU AUTORIDADE GOVERNAMENTAL.



AVISO! AS LAVADORAS DE ALTA PRESSÃO NÃO DEVEM SER UTILIZADAS POR CRIANÇAS, NEM POR PESSOAL INEXPERIENTE.

- O controlo inadequado da pistola / lança pode resultar em ferimentos no utilizador, em terceiros ou em danos materiais. A força reativa da pulverização pode resultar no movimento da pistola / lança, podendo fazer com que o operador escorregue, caia ou direcione incorretamente a pulverização.



AVISO! FAMILIARIZE-SE COM O FUNCIONAMENTO E OS CONTROLOS DA LAVADORA DE ALTA PRESSÃO. NÃO UTILIZE O APARELHO SE UM CABO DE ALIMENTAÇÃO OU PEÇAS IMPORTANTES DO MESMO ESTIVEREM DANIFICADAS, POR EXEMPLO, DISPOSITIVOS DE SEGURANÇA, MANGUEIRAS DE ALTA PRESSÃO E PISTOLA DE GATILHO.

- Nunca modifique ou remova as funcionalidades de segurança deste aparelho. Não utilize o aparelho com peças em falta, partidas ou não autorizadas.
- Nunca deixe a lança sem vigilância enquanto o aparelho estiver em funcionamento.
- Nunca faça nós ou dobras na mangueira de alta pressão, pois tal poderá resultar em danos.
- Mantenha a área de trabalho sem obstáculos.
- Posicione-se numa superfície estável e agarre firmemente a pistola / lança com ambas as mãos. A alta pressão pode causar a projecção de objetos. Se necessário, utilize equipamento de proteção individual adequado, como óculos de proteção.
- Os pneus / válvulas dos pneus do dispositivo só podem ser limpos a uma distância mínima de 30 cm para evitar danos causados pelo jato de alta pressão. A primeira indicação de danos é a descoloração do pneu. Os pneus / válvulas dos pneus do dispositivo danificados representam um perigo para a vida.



AVISO! RISCO DE EXPLOSÃO – NÃO PULVERIZE LÍQUIDOS INFLAMÁVEIS, COMO GASOLINA, ÓLEO COMBUSTÍVEL, QUEROSENE, SOLVENTES OU DILUENTES. A NÃO OBSERVÂNCIA DESTE AVISO PODE RESULTAR EM FERIMENTOS PESSOAIS GRAVES, MORTE E / OU DANOS MATERIAIS.



AVISO! ESTA MÁQUINA FOI CONCEBIDA PARA USO COM O AGENTE DE LIMPEZA FORNECIDO OU RECOMENDADO PELO FABRICANTE. A UTILIZAÇÃO DE OUTROS AGENTES DE LIMPEZA OU PRODUTOS QUÍMICOS PODE AFETAR A SEGURANÇA DA MÁQUINA.



AVISO! NÃO UTILIZE O APARELHO PERTO DE PESSOAS, EXCETO SE ESTIVEREM A USAR VESTUÁRIO DE PROTEÇÃO.



AVISO! OS JATOS DE ALTA PRESSÃO PODEM SER PERIGOSOS SE SUJEITOS A UTILIZAÇÃO INDEVIDA. O JATO NÃO DEVE SER DIRECIONADO PARA PESSOAS, ANIMAIS, EQUIPAMENTO ELÉTRICO LIGADO OU À PRÓPRIA MÁQUINA. NÃO DIRECIONE O JATO PARA SI OU PARA TERCEIROS PARA LIMPAR ROUPAS OU CALÇADO.



AVISO! PARA GARANTIR A SEGURANÇA DA MÁQUINA, UTILIZE APENAS PEÇAS SOBRESSELENTES ORIGINAIS DO FABRICANTE OU APROVADAS PELO FABRICANTE.



AVISO! AS MANGUEIRAS DE ALTA PRESSÃO, OS ACESSÓRIOS E AS UNIÕES SÃO IMPORTANTES PARA A SEGURANÇA DA MÁQUINA. UTILIZE APENAS MANGUEIRAS, ACESSÓRIOS E UNIÕES RECOMENDADOS PELO FABRICANTE.



AVISO! ESTA MÁQUINA NÃO PODE SER LIGADA À REDE DE ÁGUA POTÁVEL SEM UM DISPOSITIVO ANTIRREFLUXO. VERIFIQUE OS REGULAMENTOS LOCAIS E NACIONAIS RELATIVOS A CONDUTAS ANTES DE LIGAR O PRODUTO À REDE DE ÁGUA POTÁVEL. A ÁGUA QUE TIVER PASSADO POR UM DISPOSITIVO ANTIRREFLUXO É CONSIDERADA NÃO POTÁVEL.



AVISO! DEPENDENDO DA APLICAÇÃO, PODEM SER UTILIZADOS BOCAIS BLINDADOS PARA LIMPEZA DE ALTA PRESSÃO, O QUE IRÁ REDUZIR DRÁSTICAMENTE A EMISSÃO DE AEROSSÓIS HÍDRICOS. NO ENTANTO, NEM TODAS AS APLICAÇÕES SUPORTAM A UTILIZAÇÃO DESTE DISPOSITIVO. SE OS BOCAIS BLINDADOS NÃO FOREM APLICÁVEIS PARA A PROTEÇÃO CONTRA AEROSSÓIS, PODERÁ SER NECESSÁRIA UMA MÁSCARA RESPIRATÓRIA DA CLASSE FFP 2 OU EQUIVALENTE, DEPENDENDO DO AMBIENTE DE LIMPEZA.

Emergência

Familiarize-se com a utilização desta máquina através deste manual de instruções. Memorize as orientações de segurança e siga-as à risca. Isto ajudará a prevenir riscos e perigos.

- **Esteja sempre atento ao utilizar esta máquina, para que possa reconhecer e gerir os riscos antecipadamente.** Uma intervenção rápida pode prevenir ferimentos graves e danos materiais.
- **Em caso de avaria, desligue a máquina e retire a ficha da fonte de alimentação.** Envie a máquina para um profissional qualificado para verificação e reparação, se necessário, antes de a voltar a utilizar.

Riscos residuais

Mesmo que esteja a utilizar esta máquina em conformidade com todos os requisitos de segurança, alguns potenciais riscos de ferimentos e danos mantêm-se. Podem surgir os seguintes perigos relacionados com a estrutura e o design desta máquina:






- Problemas de saúde resultantes da emissão de vibração se a máquina for utilizada durante longos períodos ou não for submetida a uma gestão e manutenção adequadas.
- Ferimentos e danos materiais resultantes de acessórios partidos ou impactos repentinos de objetos escondidos durante a utilização.
- Perigo de ferimentos e danos materiais provocados por objetos projetados ou acessórios de fraca qualidade da máquina.



AVISO! ESTE PRODUTO PRODUZ UM CAMPO ELETROMAGNÉTICO DURANTE O FUNCIONAMENTO! SOB DETERMINADAS CIRCUNSTÂNCIAS, ESTE CAMPO PODE INTERFERIR COM IMPLANTES MÉDICOS ATIVOS OU PASSIVOS! PARA REDUZIR O RISCO DE FERIMENTOS GRAVES OU FATAIS, RECOMENDAMOS QUE AS PESSOAS COM IMPLANTES MÉDICOS CONSULTEM UM MÉDICO E O FABRICANTE DO IMPLANTE MÉDICO ANTES DE UTILIZAR ESTE PRODUTO!

Símbolos

A etiqueta de classificação do produto e estas instruções incluem, entre outros, os seguintes símbolos e abreviaturas. Familiarize-se com estes elementos para reduzir os riscos, incluindo ferimentos pessoais e danos materiais.

V ~	Volt (tensão alternada)	Hz	Hertz
W	Watt	l/h	Litro por hora
mm	Milímetro	m	Metro
g	Gramas	kg	Quilograma
MPa	Megapascal, unidade de pressão	bar	Unidade de pressão
N	Newton	KWh/ano	Quilowatt-hora por ano
dB(A)	Decibel (classificação A)	m/s ²	Metros por segundo quadrado
	Bloquear / para apertar ou fixar.		Desbloquear / para soltar.
	Leia o manual de instruções.		
	Nota / Observação.		Cuidado / Aviso.
yyWxx	Código da data de fabrico; ano de fabrico (20yy) e semana de fabrico (Wxx).		
IPX5	Proteção contra jatos de água.		



Utilize sempre proteção auditiva.



Utilize sempre proteção ocular.



Use uma máscara antipó.



Utilize luvas de proteção.



Utilize calçado de proteção e antiderrapante.



Utilize vestuário de proteção justo.



Desligue a máquina e retire-a da fonte de alimentação antes de a montar, limpar, ajustar, proceder à manutenção, arrumar e transportar.



Desligue imediatamente a ficha da alimentação elétrica se o cabo ou o prolongador estiver emaranhado, danificado ou cortado. **NÃO TOQUE NO CABO ANTES DE DESLIGAR DA ALIMENTAÇÃO.**



Os objetos projetados pela máquina podem atingir o utilizador ou outros transeuntes. Certifique-se sempre de que outras pessoas e animais de estimação se encontram a uma distância segura da máquina durante a sua utilização. Em geral, as crianças não devem aproximar-se da área onde se encontra a máquina.



Esta máquina não é adequada para ligação à fonte de fornecimento de água potável.



Não direcione o jato para pessoas, animais, equipamento elétrico ligado ou para o próprio produto.



Este é um produto da classe de proteção II. Isso significa que está equipado com isolamento reforçado ou duplo.



Nível de potência sonora garantido de 92 dB(A).




Símbolo REEE. Os resíduos de produtos elétricos não devem ser eliminados com o lixo doméstico. Recicle nas instalações adequadas, sempre que existentes. Informe-se sobre a reciclagem junto às autoridades ou loja locais.



O produto está em conformidade com as diretivas europeias aplicáveis e foi aplicado um método de avaliação de conformidade com estas diretivas.

Especificações técnicas

Gerais

> Tensão nominal, frequência	: 230 - 240 V~, 50 Hz
> Potência nominal de entrada	: 2200 W
> Pressão nominal, P_{nom}	: 10,5 MPa (105 bar)
> Pressão permitida, $P_{máx}$: 15,5 MPa (155 bar)
> Taxa de fluxo nominal, Q_{nom}	: 360 l/h
> Taxa de fluxo máx., $Q_{máx}$: 460 l/h
> Pressão máx. de entrada, $P_{ENT MÁX}$: 1 MPa (10 bar)
> Temperatura máx. da água	: 50 °C
> Consumo anual de energia	: 30 kWh/ano
> Força de resalto na pega	: < 20 N
> Classe de proteção	: II / 
> Grau de proteção	: IPX5
> Peso	: aprox. 11,2 kg (líquido) aprox. 13,6 kg (bruto)
> Comprimento da mangueira de pressão	: aprox. 8 m
> Comprimento do cabo de alimentação	: aprox. 5 m
> Dimensões	: aprox. 335 x 342 x (593 - 850) mm
> Impedância máxima permitida pelo sistema de Z_{max}	: 0,371 Ohm

Especificações acústicas

> Nível de pressão sonora, L_{pA}	: 90,7 dB(A)
> Incerteza, K_{pA}	: 3 dB(A)
> Nível de potência sonora medido, L_{WA}	: 91,5 dB(A)
> Incerteza, K_{WA}	: 3 dB(A)
> Nível de potência sonora garantido, L_{WA} (de acordo com a norma 2000/14/CE aditada pela norma 2005/88/CE)	: 92 dB(A)

Valores de vibração mão-braço

> Pega $a_{h,w}$: 2,5 m/s ²
> Incerteza, K	: 1,5 m/s ²

Os níveis sonoros foram determinados de acordo com o código de ensaio de ruído previsto na norma EN ISO 3744:1955.

O nível de intensidade sonora para o utilizador pode exceder 80 dB(A), o que requer medidas de proteção auditiva.

Os valores declarados de vibração total e de emissão de ruído foram medidos de acordo com um método de teste normalizado (ISO 3744:2010, EN 60335-2-79) e podem ser utilizados para comparar produtos. Também podem ser utilizados numa avaliação preliminar da exposição.



AVISO! OS VALORES DE VIBRAÇÃO E EMISSÃO DE RUÍDO VERIFICADOS DURANTE A UTILIZAÇÃO DA MÁQUINA PODEM SER DIFERENTES DOS VALORES DECLARADOS, DEPENDENDO DA FORMA COMO A MÁQUINA É UTILIZADA, ESPECIALMENTE DO TIPO DE PEÇA DE TRABALHO PROCESSADA.

É NECESSÁRIO IDENTIFICAR MEDIDAS DE SEGURANÇA PARA PROTEGER O UTILIZADOR QUE SE BASEIEM NUMA ESTIMATIVA DA EXPOSIÇÃO NAS CONDIÇÕES REAIS DE UTILIZAÇÃO (TENDO EM CONSIDERAÇÃO TODAS AS PARTES DO CICLO DE FUNCIONAMENTO, COMO O TEMPO EM QUE A MÁQUINA ESTÁ DESLIGADA E QUANDO ESTÁ EM FUNCIONAMENTO EM RALENTI, ALÉM DO TEMPO DE APERTO DO GATILHO).

Explicação da etiqueta de classificação

MCB1286PRW = Número do modelo

MC = **MACAllister** (nome da marca)

B = Tensão (230 - 240 V~)

1286 = Código sequencial

PRW = Lavadora de alta pressão

TTB1288PRW = Número do modelo

TT = **TITAN** (nome da marca)

B = Tensão (230 - 240 V~)

1288 = Código sequencial

PRW = Lavadora de alta pressão

PT Preparação

Desembalar

1. Desembale todas as peças e coloque-as numa superfície lisa e estável.
2. Remova todos os materiais de embalagem e dispositivos de envio, se aplicável.
3. Certifique-se de que o conteúdo entregue está completo e livre de danos. Caso descubra que existem peças em falta ou que estas apresentam danos, não utilize a máquina e contacte um representante. Utilizar uma máquina incompleta ou danificada representa perigo para pessoas e bens.
4. Certifique-se de que dispõe de todos os acessórios e ferramentas necessários para a montagem e a utilização. Isto também inclui equipamento de proteção individual adequado.



AVISO! A MÁQUINA E A EMBALAGEM NÃO SÃO BRINQUEDOS PARA CRIANÇAS! AS CRIANÇAS NÃO DEVEM BRINCAR COM SACOS DE PLÁSTICO, FOLHAS E PEÇAS PEQUENAS! EXISTE PERIGO DE ASFIXIA E SUFOCAÇÃO!

Vai precisar de

(itens não fornecidos)

Equipamento de proteção individual adequado
Prolongador adequado para utilização no exterior
Mangueira de jardim com união e filtro
Detergente adequado
Chave de parafusos de cabeça cruzada adequada

(itens fornecidos)

Mangueira de pressão (13)
Pistola de pulverização (15)
Lança de extensão (16)
Cabo extensor (17)
Bocal turbo (18)
Bocal variável (19)
Bocal do recipiente de detergente (20)
Escova para pátio (21)
Adaptador de entrada de água (22)
Agulha (23)
Junta tórica (Ø5,1 x 1,8) (x2) (24)
Junta tórica (Ø11,5 x 2,5) (25)
Parafuso (ST3,5 x 13) (26)
Parafuso (ST4,8 x 16) (27)
Parafuso (ST4,8 x 16 com cabeça de parafuso grande) (28)
Porta-arma (29)



NOTA: Os acessórios necessários dependem da aplicação pretendida. Contacte o seu fornecedor para obter aconselhamento.

PT Montagem



AVISO! A MÁQUINA TEM DE ESTAR TOTALMENTE MONTADA ANTES DA UTILIZAÇÃO! NÃO UTILIZE UMA MÁQUINA QUE ESTEJA APENAS PARCIALMENTE MONTADA OU MONTADA COM PEÇAS DANIFICADAS!



SIGA AS INSTRUÇÕES DE MONTAGEM PASSO A PASSO E UTILIZE AS FOTOS FORNECIDAS COMO UM GUIA VISUAL PARA MONTAR FACILMENTE A MÁQUINA!

ANTES DE UTILIZAR A MÁQUINA, FAMILIARIZE-SE COM AS CARATERÍSTICAS DE FUNCIONAMENTO E LEIA TODO O MANUAL DE INSTRUÇÕES, PRESTANDO ESPECIAL ATENÇÃO ÀS NORMAS DE SEGURANÇA E PROCEDIMENTOS DE UTILIZAÇÃO.

NÃO LIGUE A MÁQUINA À FONTE DE ALIMENTAÇÃO ANTES DE EFETUAR A MONTAGEM.

Placa de suspensão

1. Deslize o suporte da suspensão (14) para o respetivo apoio e alinhe o orifício de montagem e, em seguida, utilize uma chave de parafusos de cabeça cruzada adequada (não fornecida) adequada para fixar a ligação com o parafuso (ST3,5 x 13) (26) (Fig. 1a).

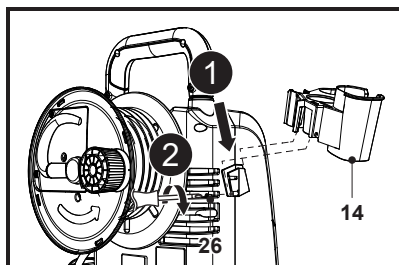


Fig. 1a

2. Pressione para baixo para alinhar com a ranhura em forma de U na parte inferior do alojamento. (Fig. 1b)

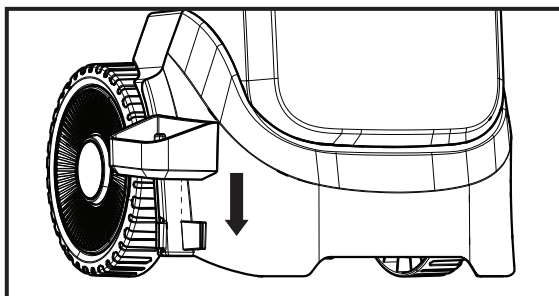


Fig. 1b

Guia da mangueira

Alinhe o orifício de montagem no guia da mangueira (7) com o respetivo apoio na máquina e, em seguida, utilize uma chave de parafusos de cabeça cruzada adequada (não fornecida) para fixar a ligação com o parafuso (ST4,8 x 16 com cabeça de parafuso grande) (28) (Fig. 2, passos 1, 2).

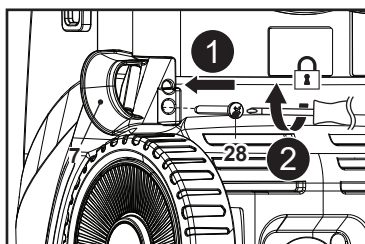


Fig. 2

Carreto de mangueira

O carreto de mangueira com mangueira de pressão (13) foi pré-montado na máquina na fábrica.

1. Alinhe o orifício de montagem no botão do carreto de mangueira (10) com o respetivo apoio na máquina e, em seguida, utilize uma chave de parafusos de cabeça cruzada adequada (não fornecida) para fixar a ligação com o parafuso (ST4,8 x 16) (27) (Fig. 3, passos 1, 2).
2. Guie a mangueira de pressão (13) através do guia da mangueira (7) e, em seguida, fixe o anel de fixação (13a) na ponta (Fig. 4, passos 1, 2).

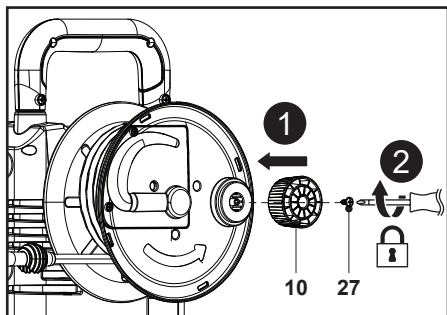


Fig. 3

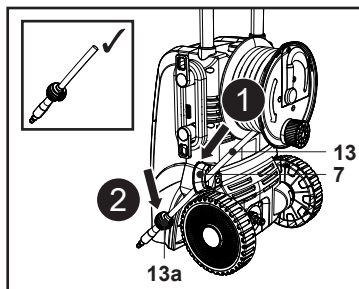


Fig. 4

Ligar / desligar os acessórios da pistola de pulverização

1. Alinhe e insira a lança de extensão (16) na ranhura da pistola de pulverização (15) (Fig. 5, passo 1).
2. Empurre e rode a lança de extensão (16) para a direita para a pistola de pulverização (15) até que fique bem apertada à mão para a bloquear no devido lugar (Fig. 5, passo 2).
3. Alinhe os dois bocais com as ranhuras da lança de extensão (16) e, em seguida, insira o bocal turbo (18) ou o bocal variável (19) até ao final (Fig. 5, passo 3).
4. Alinhe os dois bocais do recipiente de detergente (20) com a pistola de pulverização (15) e, em seguida, empurre e rode o bocal do recipiente de detergente (20) para a direita para a pistola de pulverização (15) até ficar bem apertado à mão para o fixar na posição correta.
5. Pode montar a escova para pátio (21) na lança de extensão (16) e, em seguida, montar a combinação diretamente na pistola de pulverização (15) ou através do cabo extensor (17).

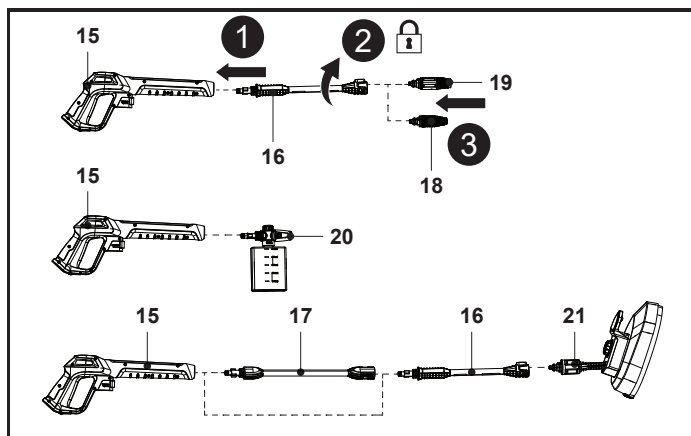


Fig. 5



NOTA: Quando dois componentes estão corretamente ligados, não podem ser separados puxando-os diretamente. Todos os acessórios da pistola de pulverização têm de ser inseridos na pistola de pulverização (15) para uma utilização adequada.

6. Para desligar o bocal, prima o botão de bloqueio (16a) e mantenha-o premido e, em seguida, puxe para fora o bocal montado (Fig. 6, passos 1, 2). Volte a instalar o bocal necessário.
7. Para desligar a lança de extensão (16), empurre-a e rode-a para a esquerda para a remover (Fig. 6, passos 3, 4, 5).
8. Para desligar o bocal do recipiente de detergente (20) ou o cabo extensor (17) da pistola de pulverização (15), empurre-o e rode-o para a esquerda para o remover. Volte a instalar um acessório da pistola de pulverização necessário.

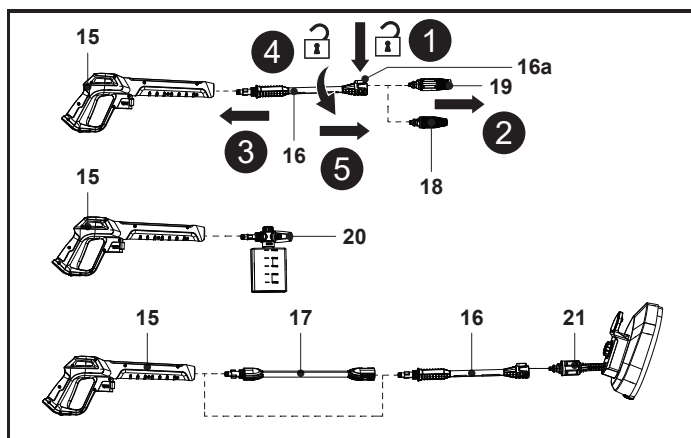


Fig. 6

Ligar / desligar a mangueira de pressão

1. Puxe cuidadosamente a mangueira de pressão (13) para a retirar. Sugere-se que desenrole totalmente a mangueira de pressão (13) antes da utilização.
2. Empurre a ponta da mangueira de pressão (13) para o conector de mangueira (15d) na pistola de pulverização (15) até ao final, ouvindo um clique (Fig. 7).

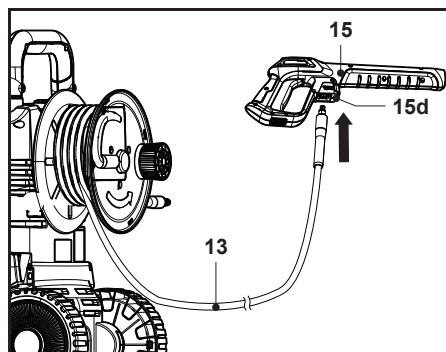


Fig. 7



AVISO! NUNCA FAÇA NÓS OU DOBRAS NA MANGUEIRA DE PRESSÃO (13), POIS TAL PODERÁ RESULTAR EM DANOS.

3. Para desligar a mangueira de pressão (13) da pistola de pulverização (15), empurre a patilha de liberação rápida (15c) em direção à mangueira de pressão (13) e mantenha-a premeida e, em seguida, puxe a mangueira de pressão (13) (Fig. 8, passos 1, 2).

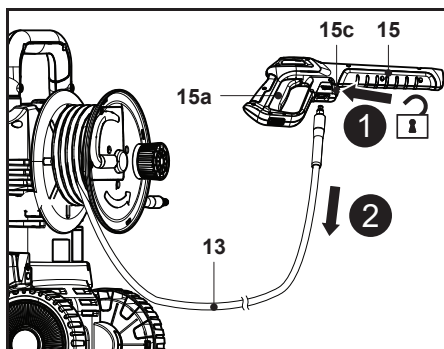


Fig. 8



AVISO! ÁGUA SOB PRESSÃO. DESLIGUE O FORNECIMENTO DE ÁGUA, DESLIGUE A MÁQUINA E APERTE O GATILHO DA PISTOLA DE PULVERIZAÇÃO (15A) PARA LIBERTAR A PRESSÃO ANTES DE DESLIGAR A MANGUEIRA DE PRESSÃO (13).

Ligação do adaptador de entrada de água

Alinhe e aperte o adaptador de entrada de água (22) no conector de entrada de água (12) na parte posterior da máquina (Fig. 9, passos 1, 2).

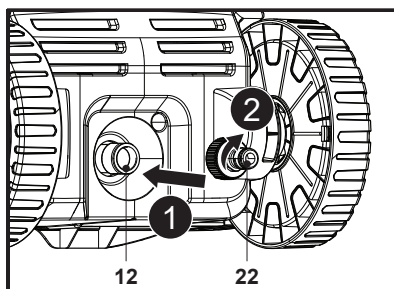


Fig. 9



NOTA: O conector de entrada de água (12) está equipado com um filtro de rede. Este filtro deve estar colocado para evitar que impurezas na fonte de água entrem na máquina e danifiquem a bomba no interior da máquina.

Ligação ao fornecimento de água

Esta lavadora de alta pressão requer uma fonte de água pressurizada com uma pressão máxima de 1 MPa (145 psi). Recomenda-se a utilização de uma mangueira de jardim reforçada (com um diâmetro mínimo de 12 mm) para a ligação de entrada de água. Não pode ser utilizada com um balde e sifão.

1. Deixe correr água pela mangueira de jardim (não fornecida) para remover quaisquer corpos estranhos.
2. Ligue a mangueira de jardim ao **adaptador de entrada de água (22)** no conector de entrada de água (12) da máquina (Fig. 10, passo 1). Utilize sempre uma união padrão para a entrada de água. O comprimento da mangueira não pode ser superior a 8 m para um funcionamento adequado.



NOTA: Se estiver instalado um filtro na ligação do tubo de água para evitar a entrada de detritos na bomba, inspecione e limpe-o antes da utilização uma vez que um fornecimento de água insuficiente pode danificar a bomba.

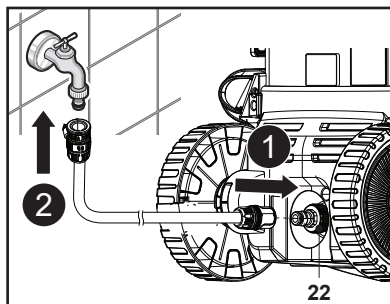


Fig. 10

3. Ligue a outra extremidade da mangueira de jardim a um fornecimento de água (Fig. 10, passo 2).



AVISO! ESTA MÁQUINA NÃO É ADEQUADA PARA LIGAÇÃO À FONTE DE FORNECIMENTO DE ÁGUA POTÁVEL.



CUMPRE AS REGULAMENTAÇÕES DA SUA EMPRESA DE FORNECIMENTO LOCAL QUANDO LIGAR O PRODUTO A UMA LINHA DE FORNECIMENTO DE ÁGUA! É PROIBIDO LIGAR ESTA MÁQUINA À UNIDADE DE FORNECIMENTO DE ÁGUA SEM UM DISPOSITIVO ANTIRREFLUXO QUE CORRESPONDA À EN 12729 TIPO BA OU À EN 61770!

4. Puxe cuidadosamente a mangueira de jardim para garantir que a ligação está segura.

Ligação à fonte de alimentação



NOTA: A máquina está equipada com um cabo de alimentação com um comprimento de 5 m. Se for necessário um prolongador adicional para o funcionamento, respeite os requisitos técnicos deste produto quando adquirir um prolongador.

O prolongador tem de ser, no mínimo, do tipo H05VV-F e ter uma secção transversal de 2,5 mm². O comprimento total do cabo não deve ultrapassar os 25 metros. A tomada do prolongador de alimentação tem de ser à prova de salpicos de água.

Desenrole completamente o prolongador.

Verifique sempre a ficha, a tomada e o prolongador e certifique-se de que estão em boas condições antes de os utilizar.

1. Certifique-se de que o interruptor rotativo de ligar / desligar (I/O) (3) está na posição de desligado.
2. Desenrole totalmente o cabo de alimentação dos dois suportes do cabo (4) e, em seguida, ligar a ficha do cabo de alimentação (5) a uma tomada de alimentação adequada.



AVISO! VERIFIQUE A TENSÃO! A TENSÃO DEVE ESTAR EM CONFORMIDADE COM AS INFORMAÇÕES NA ETIQUETA DE CLASSIFICAÇÃO!

UTILIZE SEMPRE A MÁQUINA ATRAVÉS DE UM DISJUNTOR DIFERENCIAL RESIDUAL (DDR) COM UMA CORRENTE DE CORTE MÁXIMA DE 30 mA.

3. A sua máquina está agora pronta para ser utilizada.

PT Funções e configurações

Utilização prevista

Esta lavadora de alta pressão elétrica foi concebida com uma entrada de potência nominal de 2200 Watts.

A máquina destina-se à limpeza de áreas e objetos no exterior, ferramentas, veículos e barcos, se forem utilizados os acessórios e detergentes adequados.

Opere a máquina apenas dentro do intervalo de temperatura de 0 °C a 50 °C.

Por razões de segurança, é essencial ler todo o manual de instruções antes da primeira utilização e respeitar todas as instruções que se encontram no mesmo.

Esta máquina destina-se apenas a utilização doméstica e não a qualquer utilização comercial. Este produto não pode ser utilizado para outros fins que não os descritos.

Utilização de diferentes bocais

Bocal variável

O bocal variável (19) permite-lhe utilizar qualquer variedade de padrões de pulverização, desde uma pulverização totalmente em leque a uma pulverização de fluxo direto (jato).

Rode a extremidade no bocal para a direita para o modo "Jato" e para a esquerda para o modo "Pulverização" (Fig. 11).

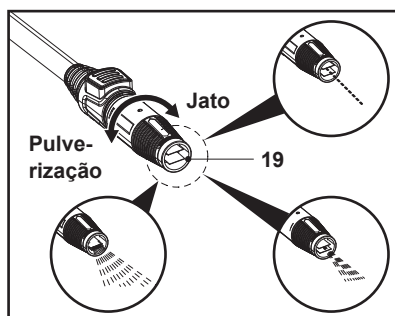


Fig. 11

- Modo jato

É descarregado um jato de água numa linha direta para remover a lama mais difícil e outra sujidade de máquinas agrícolas, etc. Mantenha sempre a lança de pulverização a 15 - 25 cm de distância da superfície de limpeza.

- Modo de pulverização

A água é descarregada num amplo leque para limpar pavimentos de madeira, paredes, motociclos e automóveis, etc. Comece sempre utilizando a pulverização em leque a uma distância mínima de 90 cm para evitar danificar a superfície do material que está a limpar. Comece sempre por pulverizar uma área de teste sem pessoas nem objetos.



NOTA: Primeiro, defina o ajuste de pulverização para o modo "Jato" e, em seguida, mova-o gradualmente para a posição "Pulverização" enquanto puxa o gatilho da pistola de pulverização.

Tenha em atenção que existe uma possibilidade de a água ser pulverizada horizontalmente sobre uma área ampla no caso de rotação total para a posição de "Pulverização".

Tenha em atenção que o bocal pode ficar danificado se for forçado a passar a posição de paragem ao alternar entre "Jato" e "Pulverização".

Bocal turbo

O bocal turbo (18) roda à medida que pulveriza jatos de água de alta pressão para uma lavagem eficiente (Fig. 12).

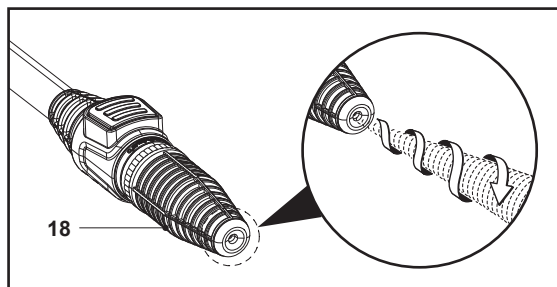


Fig. 12



CUIDADO! NÃO TENDE AJUSTAR O BOCAL TURBO.

EVITE UTILIZÁ-LO EM OBJETOS QUE SE PARTAM FACILMENTE OU COM REVESTIMENTOS QUE PODEM DESCASCAR FACILMENTE.

Bocal do recipiente de detergente

O bocal do recipiente de detergente (20) pode pulverizar uma mistura de água e detergente a baixa pressão.

Os detergentes podem aumentar o efeito de limpeza da água. Utilize apenas detergentes neutros disponíveis no mercado.

Reabastecer e utilizar detergente conforme ilustrado na Fig. 13.

1. Segure o bocal do recipiente de detergente (20) e, em seguida, desbloqueie e remova o recipiente (20a) (Fig. 13, passo 1).
2. Certifique-se de que o tubo de fornecimento de água está devidamente fixo ao bocal do detergente (20).
3. Coloque um detergente neutro não diluído no recipiente.
4. Coloque o bocal do recipiente de detergente (20) no recipiente (20a) (Fig. 13, passo 2).
5. Segure o bocal do recipiente de detergente (20) e, em seguida, bloqueie o recipiente (20a) firmemente no mesmo (Fig. 13, passo 3).
6. Rode o botão ajustável (20b) para a direita para realizar uma lavagem com detergente em alta dose e para a esquerda para efetuar uma lavagem com detergente em baixa dose (Fig. 13, passo 4).
7. Monte o bocal do recipiente de detergente (20) na pistola de pulverização (15).
8. O bocal do recipiente de detergente (20) está pronto a ser utilizado.

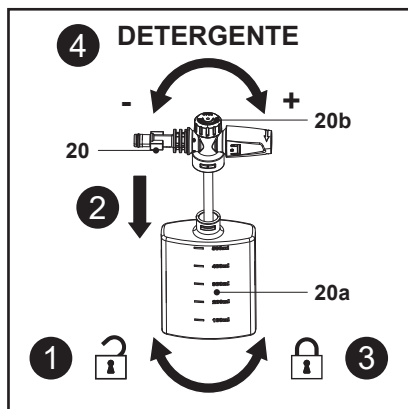


Fig. 13



AVISO! NÃO UTILIZE DETERGENTES ÁCIDOS OU ALCALINOS. UTILIZE APENAS DETERGENTES NEUTROS DISPONÍVEIS NO MERCADO.

A UTILIZAÇÃO DE DETERGENTES QUE NÃO SEJAM DETERGENTES NEUTROS OU AGENTES QUÍMICOS PODE RESULTAR EM ACIDENTES OU AVARIAS.

Escova para pátio

A escova para pátio (21) consegue remover minuciosamente sujidade ligeira e incrustada de superfícies e é muito suave para o material.

Rode o botão de fluxo ajustável (21a) para a direita para uma velocidade de limpeza mais elevada e para a esquerda para uma velocidade de limpeza mais baixa (Fig. 14).

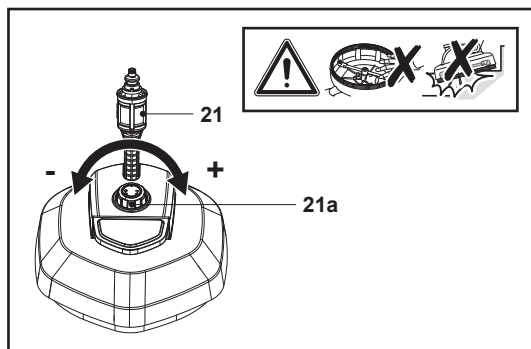


Fig. 14



AVISO! A ESCOVA PARA PÁTIO (21) É UTILIZADA APENAS PARA LIMPEZA DE SUPERFÍCIES E PODE FICAR DANIFICADA SE UTILIZADA PARA LIMPEZA DE EXTREMIDADES.

NÃO TOQUE NA PEÇA ROTATIVA ENQUANTO A MÁQUINA ESTIVER EM FUNCIONAMENTO.

Ajuste da pega de transporte

1. Prima sem soltar o botão de bloqueio da pega (2) e, em seguida, puxe a pega de transporte (1) até parar (Fig. 15).
2. Prima sem soltar o botão de bloqueio da pega (2) e, em seguida, prima a pega de transporte (1) para a recolher (Fig. 16).

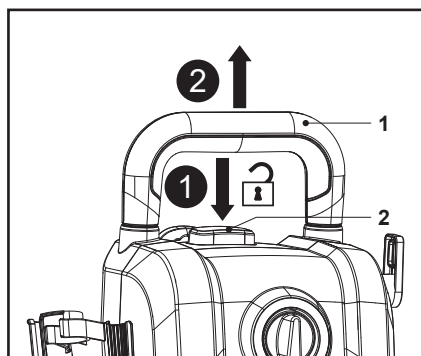


Fig. 15

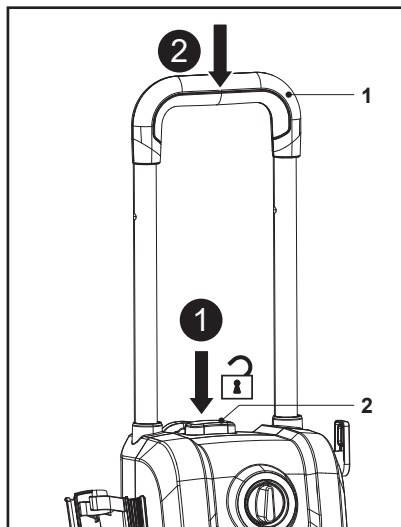


Fig. 16

Arranque



AVISO! PARA EVITAR DANOS NA MÁQUINA, NÃO A UTILIZE SEM A PRESENÇA DE ÁGUA.

CERTIFIQUE-SE DE QUE A LAVADORA DE ALTA PRESSÃO É COLOCADA SOBRE UMA SUPERFÍCIE NIVELADA E DURA.

MANTENHA SEMPRE A LAVADORA DE ALTA PRESSÃO NUMA POSIÇÃO VERTICAL DURANTE A UTILIZAÇÃO.

1. Abra a torneira de água para permitir o fluxo de água para a bomba (Fig. 17, passo 1).
2. Ligue o cabo de alimentação (5) à fonte de alimentação, certificando-se de que o interruptor rotativo ligar / desligar (3) está na posição de desligado (Fig. 17, passo 2).
3. Puxe o bloqueio do gatilho (15b) na parte inferior da pistola de pulverização (15) para trás para desbloquear o gatilho da pistola de pulverização (15a) (Fig. 17, passo 3).
4. Prima completamente o gatilho (15a) até existir um fluxo constante de água para limpar o ar da máquina e da mangueira de fornecimento de água (Fig. 17, passo 4). Em seguida, solte o gatilho da pistola de pulverização (15a).
5. Ligue a máquina rodando o interruptor rotativo ligar / desligar (3) para a posição "I" (Fig. 17, passo 5).
6. Aponte a pistola elétrica para baixo. Aponte a lança em direção ao objeto a limpar. Certifique-se de que a distância de trabalho é adequada.
7. Prima completamente o gatilho da pistola de pulverização (15a) para iniciar o jato de água.

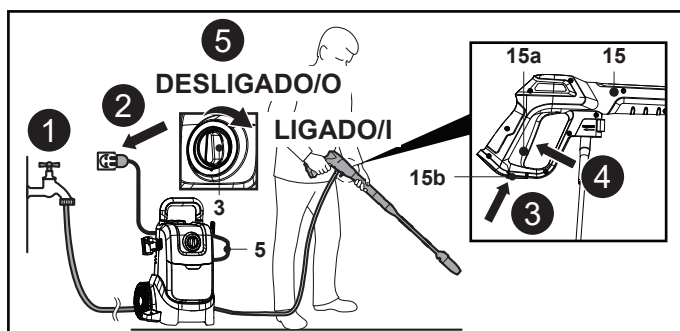


Fig. 17



AVISO! A UTILIZAÇÃO PROLONGADA DO APARELHO PODE CAUSAR PROBLEMAS DE CIRCULAÇÃO NAS MÃOS DEVIDO A VIBRAÇÕES.

NÃO É POSSÍVEL ESPECIFICAR UM TEMPO DE FUNCIONAMENTO GERALMENTE VÁLIDO, UMA VEZ QUE DEPENDE DE VÁRIOS FATORES:

- PRONAÇÃO PARA DEFICIÊNCIAS DE CIRCULAÇÃO SANGUÍNEA (DEDOS FRIOS E DORMENTES).
- TEMPERATURA AMBIENTE BAIXA. USE LUVAS QUENTES PARA PROTEGER AS MÃOS.
- SEGURAR COM FIRMEZA IMPEDE A CIRCULAÇÃO SANGUÍNEA.
- O FUNCIONAMENTO CONTÍNUO É PIOR DO QUE UMA OPERAÇÃO INTERROMPIDA POR PAUSAS. EM CASO DE UTILIZAÇÃO REGULAR E PROLONGADA DO DISPOSITIVO E EM CASO DE OCORRÊNCIA REPETIDA DOS SINTOMAS (POR EXEMPLO, DEDOS FRIOS E DORMENTES), CONSULTE UM MÉDICO.

Paragem



AVISO! QUANDO DESLIGAR A MÁQUINA, CONTINUA A EXISTIR ALTA PRESSÃO NO INTERIOR DA MANGUEIRA E DA MÁQUINA. APONTE A PISTOLA PARA UMA DIREÇÃO SEGURA E DESCARREGUE O EXCESSO DE PRESSÃO.

NUNCA DIRECIONE O FLUXO DE ÁGUA DE ALTA PRESSÃO PARA PESSOAS OU ANIMAIS.

1. Feche a torneira da água.
2. Aperte o gatilho (15a) da pistola de pulverização até que pingue água do bocal para descarregar a pressão residual no interior da mangueira de pressão (13). A máquina está agora despressurizada.
3. Solte o gatilho da pistola de pulverização (15a).
4. Empurre o bloqueio do gatilho (15b) na parte inferior da pistola de pulverização (15) para a frente para bloquear o gatilho da pistola de pulverização (15a). Agora, a pistola de pulverização não pode ser acionada acidentalmente.
5. Desligue a máquina rodando o interruptor rotativo de ligar / desligar (3) para a posição "O".



NOTA: Deixar a lavadora de alta pressão ligada pode resultar em operações secas, levando a avarias.

Função de paragem automática

A máquina foi concebida para desligar o motor quando o gatilho da pistola de pulverização (15a) na pistola de pulverização (15) é libertado.

Mecanismos de segurança

A lavadora de alta pressão está equipada com os seguintes mecanismos de segurança para garantir uma utilização segura.

Interruptor rotativo ligar / desligar

Evita que a lavadora de alta pressão seja acionada acidentalmente.

Gatilho da pistola de pulverização equipado com um bloqueio do gatilho

Evita que o gatilho da pistola de pulverização (15 a) seja puxado acidentalmente, evitando assim o arranque da lavadora de alta pressão.

Interruptor de pressão

Evita que a pressão no interior da lavadora de alta pressão exceda os níveis permitidos. Soltar o gatilho da pistola de pulverização (15a) faz com que a válvula operada pela pressão da água interrompa as operações da bomba, o que permite que a pressão seja libertada através da alimentação de água. A bomba é novamente arrancada quando o gatilho da pistola de pulverização (15a) é premido.

Protetor térmico

Protege o motor interrompendo as operações quando é detetado calor anormal no motor. Irá arrancar novamente quando o motor arrefecer.

Funcionamento geral

1. Verifique se existem danos na máquina, no cabo e ficha de alimentação, bem como nos acessórios antes de cada utilização. Não utilize a máquina se este estiver danificada ou apresentar sinais de desgaste. Resolva qualquer problema que encontre ou solicite a verificação da máquina por um especialista qualificado.
2. Verifique novamente se os acessórios estão devidamente fixados.
3. Transporte sempre a máquina pela pega de transporte (1) e pelas rodas traseiras (8).
4. Segure sempre na pistola de pulverização firmemente com ambas as mãos pela respetiva pega e superfície de apoio. Mantenha a pega e a superfície de apoio secas e livres de lubrificante para garantir um suporte seguro.
5. Certifique-se de que os respiradouros (11) estão sempre desobstruídos e limpos. Se necessário, limpe-os com uma escova macia. O bloqueio dos respiradouros pode provocar um sobreaquecimento e danificar a máquina.
6. Desligue a máquina imediatamente e retire a ficha da corrente se, durante o trabalho, for interrompido pela entrada de outras pessoas na área de trabalho. Espere sempre que a máquina pare completamente antes de se afastar.
7. Não trabalhe em excesso. Faça pausas regularmente para garantir que se consegue concentrar no trabalho e ter controlo total sobre a máquina.

Funcionamento



AVISO! NÃO UTILIZE O PRODUTO SEM FORNECIMENTO DE ÁGUA. ISTO RESULTA EM FUNCIONAMENTO A SECO E DANOS SUBSEQUENTES NA MÁQUINA.

NÃO SE COLOQUE EM DETERMINADAS POSIÇÕES EXCESSIVAS COM A MANGUEIRA DE PRESSÃO OU MOVA A LAVADORA DE ALTA PRESSÃO PUXANDO A MANGUEIRA; ISTO PODE FAZER COM QUE A MÁQUINA SE TORNE INSTÁVEL E CAIA.

NÃO DOBRE OU PASSE POR CIMA UM VEÍCULO A MOTOR SOBRE A MANGUEIRA DE PRESSÃO.

NÃO EXPONHA A MANGUEIRA DE PRESSÃO A ARESTAS AFIADAS OU CANTOS.

AS FORÇAS DE RESSALTO RESULTAM DE APERTAR O GATILHO DA PISTOLA DE PULVERIZAÇÃO! POR ISSO, SEGURE SEMPRE A PISTOLA DE PULVERIZAÇÃO COM AS DUAS MÃOS!

PRESTE ATENÇÃO À POSTURA SEGURA! O MANUSEAMENTO INADEQUADO PODE PROVOCAR FERIMENTOS!



AVISO! NÃO UTILIZE A MÁQUINA QUANDO A TEMPERATURA AMBIENTE FOR INFERIOR A 0 °C. A ÁGUA CONGELA NO INTERIOR DA MÁQUINA E DANIFICA-A.

1. Monte um bocal adequado na pistola de pulverização, dependendo da aplicação.
2. Defina um padrão de pulverização necessário se utilizar o bocal variável (19).
3. Defina a distância entre o bocal e a superfície a limpar de modo a que a superfície a limpar não seja danificada.
4. Segure na pistola de pulverização (15) com ambas as mãos.

5. Ligue a máquina rodando o interruptor rotativo de ligar / desligar (3) para a posição "I".
6. Aponte a pistola elétrica para baixo. Aponte a lança em direção ao objeto a limpar. Certifique-se de que a distância de trabalho é adequada.
7. Aperte completamente o gatilho (15a) da pistola de pulverização para iniciar o jato de água, conforme ilustrado na Fig. 18.
8. Desloque a lança para a frente de forma uniforme e lenta ao longo da superfície a limpar de forma controlada.



Fig. 18



AVISO! TENHA EM ATENÇÃO O RESSALTO AO APERTAR O GATILHO DA PISTOLA DE PULVERIZAÇÃO (15A)!



NOTA: Mantenha sempre uma distância razoável entre o bocal e o objeto a ser limpo para evitar danos. Aconselhe-se com o seu representante se necessário.

9. Solte o gatilho da pistola de pulverização (15a) para parar o jato de água.

Dicas

Procedimento de limpeza recomendado

Dissolva a sujeira aplicando o detergente misturado com água na superfície enquanto ainda está seca. Deixe o detergente atuar na superfície durante alguns minutos, mas não o deixe secar.

Nas superfícies verticais, comece de baixo para cima. Lave de baixo para cima, utilize o jato de alta pressão a uma distância mínima de 30 cm num ângulo de 45° e depois lave de cima para baixo.

Em alguns casos, é necessário esfregar com escovas para remover a sujeira. A alta pressão nem sempre é a melhor solução para bons resultados de lavagem porque pode danificar algumas superfícies. A definição de jato mais alta do bocal não deve ser usada em peças delicadas ou pintadas, nem em componentes pressurizados (por exemplo, pneus, válvulas de enchimento, etc.).

A lavagem eficaz depende da pressão e do volume de água utilizado, no mesmo grau.

Comece por pulverizar uma área de teste, sem pessoas nem objetos.

Limpar com detergente

Ao limpar com a lavadora de alta pressão, algumas tarefas de limpeza podem ser realizadas apenas com água, mas para a maioria das tarefas é vantajoso utilizar um detergente. Um detergente assegura que a sujidade é embebida rapidamente, permitindo que a água sob alta pressão penetre e remova a sujidade com mais eficácia.

A posição de baixa pressão proporciona uma aplicação suave de detergente. Esta posição também é recomendada para enxaguar uma superfície após a aplicação de cera ou para outras aplicações que requeram a baixa pressão de uma mangueira de jardim. A baixa pressão é o equivalente a uma mangueira de jardim definida na saída mais baixa para aplicar corretamente detergente.

Ao limpar uma superfície vertical, pulverize a sujidade / detergente a partir da parte inferior e trabalhe na direção ascendente. Não deixe secar

Enxague a partir da parte superior e trabalhe na direção descendente para limpar a superfície com o bocal de leque.

Sistema de refrigeração

Os respiradouros, localizados no interior e à volta da lavadora de alta pressão, têm de ser mantidos limpos e sem quaisquer obstruções para garantir o arrefecimento adequado do ar do motor durante o funcionamento. Nunca pulverize água diretamente sobre a lavadora de alta pressão para limpeza.



AVISO! EVITE A ENTRADA DE ÁGUA NOS RESPIRADOUROS DA MÁQUINA PARA MINIMIZAR O RISCO DE DANOS NA MÁQUINA E REDUZIR O RISCO DE CHOQUE ELÉTRICO PARA O OPERADOR.

Plataformas em madeira e vinil.

Enxague a plataforma e a área circundante com água limpa. Se estiver a utilizar detergente, conecte o bocal (20) do recipiente de detergente à pistola de pulverização e aplique na área a limpar a baixa pressão. Para obter os melhores resultados, divida a área de trabalho em secções mais pequenas e limpe uma secção de cada vez. Deixe o detergente repousar na superfície durante alguns minutos e, em seguida, enxague a alta pressão.

NÃO DEIXE O PRODUTO DE LIMPEZA SECAR Limpe sempre da esquerda para a direita e de cima para baixo para obter os melhores resultados. Enxague a alta pressão utilizando a pulverização em leque, mantendo a ponta do bocal de pulverização a uma distância mínima de 15 - 25 cm da superfície de limpeza.

Mantenha uma distância maior em relação à área de limpeza quando utilizar uma pulverização direta.



CUIDADO! PARA MADEIRAS MAIS MACIAS, AUMENTE A DISTÂNCIA DA ÁREA DE LIMPEZA.

Pátios de cimento, pedra e tijolo

Enxague a área circundante com água limpa. Se estiver a utilizar detergente, conecte o bocal (20) do recipiente de detergente à pistola de pulverização e aplique na área a limpar a baixa pressão. Enxague a alta pressão utilizando a pulverização em leque num movimento de varrimento, mantendo a ponta do bocal de pulverização a uma distância mínima de 7 - 15 cm da superfície de limpeza.

Mantenha uma distância maior em relação à área de limpeza quando utilizar uma pulverização direta.

Automóveis, barcos e motocicletas

Enxague a área circundante com água limpa. Se estiver a utilizar detergente, conecte o bocal (20) do recipiente de detergente à pistola de pulverização e aplique na área a limpar a baixa pressão. Para obter os melhores resultados, limpe um lado de cada vez. Deixe o detergente atuar na superfície durante alguns minutos, mas não o deixe secar. Enxague a alta pressão utilizando a pulverização em leque num movimento de varrimento, mantendo a ponta do bocal de pulverização a uma distância mínima de 20 cm da superfície de limpeza.

Seque a superfície para um acabamento polido.



AVISO! NUNCA UTILIZE UM JATO DE PULVERIZAÇÃO PARA LIMPAR VEÍCULOS A MOTOR OU TRABALHOS DE PINTURA DE BARCOS. NÃO LIMPE O MOTOR COM A LAVADORA DE ALTA PRESSÃO!

Grelhadores, equipamentos elétricos e ferramentas de jardim

Enxague a área circundante com água limpa. Se estiver a utilizar detergente, conecte o bocal (20) do recipiente de detergente à pistola de pulverização e aplique na área a limpar a baixa pressão. Deixe o detergente atuar na superfície durante alguns minutos, mas não o deixe secar. Enxague a alta pressão utilizando a pulverização em leque, mantendo a ponta do bocal de pulverização a uma distância mínima de 8 cm da superfície de limpeza. Mantenha uma distância maior em relação à área de limpeza quando utilizar uma pulverização direta.

Após a utilização

1. Desligue a máquina, retire-a da fonte de alimentação e deixe-a arrefecer.
2. Liberte a pressão no interior da máquina.
3. Verifique, limpe e armazene a máquina conforme descrito abaixo.
4. Desligue a mangueira de jardim da máquina e da rede de fornecimento de água.
5. Remova a mangueira de pressão da pistola de pulverização (15) e da máquina.
6. Drene toda a água residual da mangueira de pressão (13).
7. Incline a lavadora de alta pressão para drenar a água residual.



AVISO! A ÁGUA RESTANTE NA LAVADORA DE ALTA PRESSÃO PODE CONGELAR NO INVERNO, O QUE PODE RESULTAR EM DANOS NA BOMBA.

PT Cuidados e manutenção

Regras de ouro para cuidados



AVISO! DESLIGUE SEMPRE A MÁQUINA, RETIRE-A DA FONTE DE ALIMENTAÇÃO E DEIXE-A ARREFECER ANTES DE EFETUAR TRABALHOS DE INSPEÇÃO, MANUTENÇÃO E LIMPEZA!



EFETUE TRABALHOS DE CUIDADO E MANUTENÇÃO APENAS DE ACORDO COM ESTAS INSTRUÇÕES! TODOS OS TRABALHOS SUPLEMENTARES DEVEM SER REALIZADOS POR UM ESPECIALISTA QUALIFICADO!

1. Mantenha a máquina limpa. Remova os detritos do produto após cada utilização e antes de o armazenar.
2. Uma limpeza regular e adequada ajuda a assegurar uma utilização segura e a prolongar o tempo de vida útil da máquina.
3. Inspeccione a máquina antes de cada utilização quanto a desgaste e peças danificadas. Não o utilize se encontrar peças partidas ou desgastadas.



AVISO! EFETUE REPARAÇÕES E TRABALHOS DE MANUTENÇÃO APENAS DE ACORDO COM ESTAS INSTRUÇÕES! TODOS OS TRABALHOS SUPLEMENTARES DEVEM SER REALIZADOS POR UM ESPECIALISTA QUALIFICADO!

Limpeza geral

1. Limpe a máquina com um pano húmido e sabão com pH neutro. Utilize uma escova para áreas de difícil alcance.
2. Em particular, limpe os respiradouros após cada utilização com um pano e uma escova.



NOTA: Não utilize produtos químicos, alcalinos, abrasivos ou outros detergentes agressivos ou desinfetantes para limpar este produto, uma vez que podem ser prejudiciais para as superfícies do mesmo.

3. Verifique se existem danos e desgaste. Repare os danos de acordo com este manual de instruções ou leve a máquina a um centro de assistência autorizado antes de a utilizar novamente.
4. Troque as duas juntas tóricas ($\varnothing 10$) (24) na mangueira de pressão (13) e a junta tórica ($\varnothing 12$) (25) no adaptador de entrada de água (22), se necessário.

Limpeza do bocal

1. Desligue o bocal (18/19/21) da lança de extensão (16); desligue o bocal do recipiente de detergente (20), a lança de extensão (16) e o cabo extensor (17) da pistola de pulverização (15) (Fig. 19).
2. Remova quaisquer depósitos de sujidade do orifício do bocal utilizando uma agulha (23) (Fig. 20).

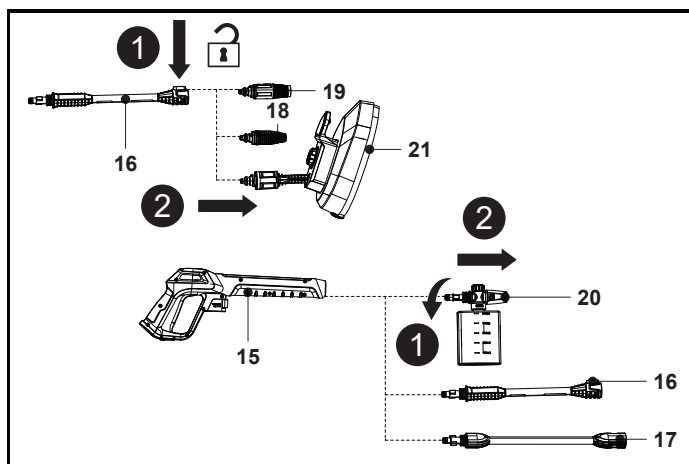


Fig. 19

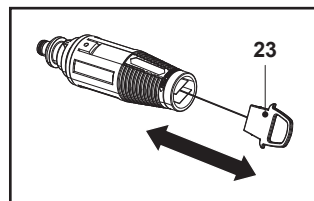


Fig. 20

Limpeza do filtro

1. Remova o adaptador de entrada de água (22) do conector de entrada de água (12) (Fig. 21).
2. Remova o filtro (12a) do conector de entrada de água (12) e enxague sob água corrente para remover quaisquer objetos estranhos (Fig. 22). Em seguida, volte a instalar o filtro (12a).
3. Inspeccione o filtro (12a) antes de cada utilização e limpe-o, se necessário.

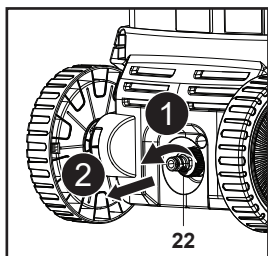


Fig. 21

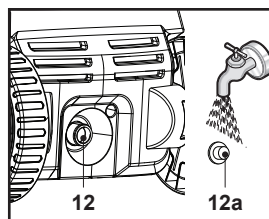


Fig. 22

Mangueira de pressão

Depois de utilizar a lavadora de alta pressão, a mangueira de pressão (13) deve ser enrolada novamente. A direção para enrolar deve ser a mesma que a direção original.



NOTA: Qualquer enrolamento em sentido inverso irá destruir a mangueira de pressão.

Descalcificação

Ocasionalmente, dependendo da natureza da água da torneira, formam-se depósitos de cálcio no produto e nos acessórios. O nível dos depósitos (e portanto a frequência da descalcificação) depende do grau de dureza da água e da frequência com que o produto é utilizado. Consulte o seu fornecedor para determinar o grau de dureza da água na sua zona.



NOTA: Use uma mistura de água e ácido cítrico ou vinagre para a descalcificação. Estas substâncias são facilmente biodegradáveis e ecológicas!

1. Faça uma mistura de uma parte de vinagre e duas partes de água quente (< 50 °C) num recipiente adequado como, por exemplo, uma tigela.
2. Coloque os acessórios amovíveis na mistura.
3. Deixe os acessórios na mistura durante, aproximadamente, 12 horas.
4. Lave os acessórios com água limpa.

Lubrificação

A lavadora de alta pressão foi concebida com um sistema de lubrificação permanente. Não é necessário verificar e mudar o óleo de forma convencional.



NOTA: Uma pequena quantidade de fuga de óleo é normal.

Manutenção

Antes e depois de cada utilização, verifique o produto e os acessórios quanto a desgaste e danos. Se necessário, substitua-os por novos conforme descrito neste manual de instruções. Respeite os requisitos técnicos.

Cabo de alimentação

Se o cabo de alimentação desta ferramenta elétrica estiver danificado, este tem de ser substituído por um cabo de alimentação especialmente preparado, disponível através do serviço de assistência.

Peças sobresselentes / De substituição

As seguintes peças deste produto podem ser substituídas pelo consumidor. As peças sobresselentes estão disponíveis num concessionário autorizado ou através do nosso serviço de atendimento ao cliente.

Descrição	N.º de modelo ou especificação
Pistola de pulverização (15)	Pistola YLG22
Lança de extensão (16)	Lança de extensão YLG22
Cabo extensor (17)	Cabo extensor para escova para pátios
Bocal turbo (18)	Bocal turbo YLG21
Bocal variável (19)	Bocal variável YLG21

Descrição	N.º de modelo ou especificação
Bocal para recipiente de detergente (20)	Bocal de jato de espuma YLG204
Escova para pátio (21)	Escova para pátio YLS12
Adaptador de entrada de água (22)	Curto preto de entrada de água

Reparação

Esta máquina não contém peças que possam ser reparadas pelo consumidor. Contacte um centro de assistência autorizado ou uma pessoa devidamente qualificada para solicitar a respetiva verificação e reparação.

Armazenamento

1. Desligue a máquina e retire-a da fonte de alimentação.
2. Limpe a máquina conforme descrito acima.
3. Guarde a máquina e respetivos acessórios num local escuro, seco, sem gelo e bem ventilado.
4. Guarde sempre a máquina num lugar inacessível para crianças. A temperatura ideal de armazenamento situa-se entre os 10 °C e os 30 °C.
5. Recomendamos usar a embalagem original para armazenamento ou tapar a máquina com um pano ou cobertura adequada para a proteger contra o pó.

Transporte

1. Desligue a máquina e retire a ficha da fonte de alimentação antes de a transportar para qualquer lado.
2. Enrole o cabo de alimentação (5) à volta dos dois suportes do cabo (4) e fixe-o no devido lugar com um grampo do cabo (5a) fornecido (Fig. 23).
3. Enrole a mangueira de pressão (13) e guarde a pistola de pulverização (15), a lança de extensão (16), o bocal do recipiente do detergente (20) e o bocal (18/19) (Fig. 24).
4. Transporte sempre a máquina pela pega de transporte (1) e pelas rodas traseiras (8).
5. Proteja a máquina contra qualquer impacto intenso ou vibrações fortes que possam ocorrer durante o transporte em veículos.
6. Fixe a máquina para evitar que deslize ou tombe ou que cause danos ou ferimentos.

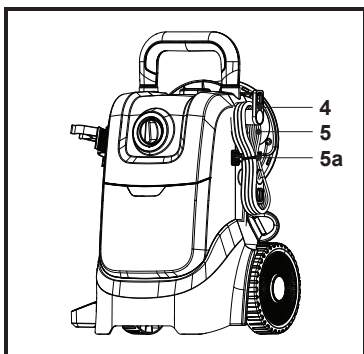


Fig. 23

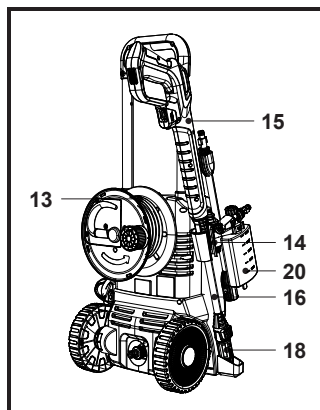


Fig. 24

Resolução de problemas

As suspeitas de avaria devem-se, frequentemente, a causas que os próprios utilizadores podem resolver. Por esse motivo, verifique o produto utilizando esta secção. Na maioria dos casos, o problema pode ser resolvido rapidamente.



AVISO! EXECUTE APENAS OS PASSOS DESCRITOS NESTAS INSTRUÇÕES! TODAS AS OUTRAS TAREFAS DE INSPEÇÃO, MANUTENÇÃO E REPARAÇÃO TÊM DE SER EFETUADAS POR UM CENTRO DE ASSISTÊNCIA AUTORIZADO OU UM ESPECIALISTA IGUALMENTE QUALIFICADO CASO NÃO CONSIGA RESOLVER O PROBLEMA SEM ASSISTÊNCIA!

Problema	Causa possível	Solução
1. O produto não liga	1.1. Sem ligação à fonte de alimentação 1.2. O cabo de alimentação ou a ficha está com defeito 1.3. Outro defeito elétrico do produto	1.1. Ligue à fonte de alimentação 1.2. Consulte um electricista qualificado 1.3. Consulte um electricista qualificado
2. A bomba não atinge a potência total	2.1. O prolongador não é adequado para a utilização com este produto 2.2. A fonte de alimentação (por exemplo, um gerador) tem a tensão demasiado baixa 2.3. Os respiradouros estão entupidos 2.4. O bocal está gasto 2.5. O filtro está obstruído 2.6. A pressão do fornecimento de água é baixa 2.7. O ar está a ser aspirado para o sistema 2.8. Ar na bomba 2.9. O bocal variável não está posicionado corretamente	2.1. Utilize um prolongador adequado 2.2. Ligue a outra fonte de alimentação 2.3. Limpe os respiradouros 2.4. Substitua o bocal 2.5. Limpe o filtro no adaptador de entrada de água 2.6. Abra completamente a torneira de fornecimento de água 2.7. Verifique o aperto das conexões de mangueira 2.8. Desligue a máquina e continue a premir e soltar o gatilho da pistola até que a água saia num fluxo constante. Volte a ligar a máquina. 2.9. Rode o bocal variável do modo de pulverização para o modo de jato
3. A pressão diminui durante a utilização	3.1. A água é retirada de um depósito de água externo 3.2. A temperatura da água de entrada está demasiado alta 3.3. O bocal está entupido 3.4. O filtro de entrada está sujo	3.1. Ligue a máquina à rede de fornecimento de água 3.2. Reduza a temperatura da água 3.3. Limpe o bocal 3.4. Limpe o filtro no adaptador de entrada de água

Problema	Causa possível	Solução
4. Flutuações de pressão de pressão acentuadas	4.1. A pressão do fornecimento de água é muito baixa 4.2. O filtro de entrada está sujo 4.3. O ar está a ser aspirado para o sistema	4.1. Abra completamente a torneira de fornecimento de água 4.2. Limpe o filtro no adaptador de entrada de água 4.3. Verifique o aperto das conexões de mangueira
5. Fuga de água da máquina	5.1. A fita de calafetagem está gasta	5.1. Solicite a substituição da fita de calafetagem
6. Vibrações ou ruído excessivos	6.1. Pressão de fornecimento de água baixa 6.2. Problemas no motor 6.3. Parafusos e porcas soltos	6.1. Abra completamente a torneira de fornecimento de água 6.2. Consulte um electricista qualificado 6.3. Aperte os parafusos e porcas

Reciclagem e eliminação



Este símbolo é conhecido como o "símbolo do caixote do lixo com uma cruz por cima". Quando este símbolo está marcado num produto ou pilha, significa que não devem ser eliminados juntamente com os resíduos domésticos comuns. Alguns produtos químicos contidos em produtos elétricos/eletrónicos ou pilhas podem ser prejudiciais para a saúde e para o ambiente. Elimine itens elétricos/eletrónicos/pilhas apenas em sistemas de recolha seletiva direcionados para a recuperação e reciclagem dos materiais no seu interior. A sua cooperação é essencial para garantir o sucesso destes sistemas e para a proteção do ambiente.

O produto é fornecido com uma embalagem que o protege contra danos durante o envio. Conserve a embalagem até ter a certeza de que todas as peças foram fornecidas e que o produto funciona corretamente. Depois, recicle a embalagem.

Garantia

Empenhamo-nos especialmente na seleção cuidada de materiais de elevada qualidade e utilizamos técnicas de fabrico que nos permitem criar produtos que incorporam design e durabilidade. Este produto tem uma garantia do fabricante de 2 anos contra defeitos de fabrico, a partir da data de compra (se comprado na loja) ou data de entrega (se comprado online), sem custo adicional para uso doméstico normal (não profissional ou comercial).

Para apresentar uma reclamação ao abrigo desta garantia, é necessário apresentar a prova de compra (tal como um recibo, uma fatura de compra ou outra prova admissível em conformidade com a lei em vigor). Mantenha o comprovativo de compra num lugar seguro. Para esta garantia se aplicar, o produto comprado tem de ser novo; não se aplica a produtos em segunda mão ou a produtos de exibição. Salvo disposição em contrário na lei em vigor, a garantia de qualquer produto de substituição expira no final do período da garantia do produto original.

Esta garantia cobre defeitos e falhas de produto, desde que o produto tenha sido utilizado para o fim a que se destina e tenha sido sujeito à instalação, limpeza, manutenção e a cuidados de acordo com as informações contidas nestes termos e condições, no manual do utilizador e na prática padrão, desde que a mesma não contrarie o manual de utilizador.

Esta garantia não cobre defeitos e danos causados pelo desgaste normal, nem danos que possam resultar de utilização indevida, instalação ou montagem incorreta, negligência, acidentes, utilizações indevidas ou modificações do produto. Salvo disposição em contrário na lei em vigor, esta garantia não abrange, em caso algum, custos auxiliares (exposição, deslocação, custos de desinstalação e reinstalação, mão-de-obra, etc), ou danos diretos e indiretos.

Esta garantia não cobre defeitos causados ou como resultado de:

- Uso e desgaste normal
- Negligência, uso incorreto ou excessivo
- Tentativas de reparação efetuadas por pessoas que não sejam um agente autorizado
- Danos estéticos
- Danos causados por objetos ou substâncias estranhas ou acidentes.
- Danos acidentais ou modificação
- Incumprimento das diretrizes do fabricante
- Perda dos bens

Se o produto apresentar algum defeito, iremos, dentro de um prazo razoável, reparar, substituir, reembolsar, prestar serviço ou peças sobressalentes.

Os direitos no âmbito desta garantia têm força executiva no país onde adquiriu este produto. As questões relativas à garantia devem ser esclarecidas na loja onde adquiriu o produto. A garantia complementa e não afeta os seus direitos legais.

Se adquiriu este produto em Portugal - o distribuidor é responsável por quaisquer defeitos de conformidade do produto de acordo com os termos da lei relativa a garantias (Decreto-Lei N.º 67/2003), aditada pelo Decreto-Lei N.º 84/2008.

IMPORTANTE – CONSERVE ESTE MANUAL PARA FUTURAS CONSULTAS: LEIA ATENTAMENTE



(EN) EU DECLARATION OF CONFORMITY
(FR) DÉCLARATION UE DE CONFORMITÉ
(PL) DEKLARACJA ZGODNOŚCI UE
(RO) DECLARAȚIA DE CONFORMITATE UE
(ES) DECLARACIÓN UE DE CONFORMIDAD
(PT) DECLARAÇÃO DE CONFORMIDADE UE

Product/Produit/Produkt/Produsul/Producto/Produto

- Electric high pressure washer 2200 W / Nettoyeur haute pression électrique 2200 W / Myjka ciśnieniowa elektryczna 2200 W / Aparat electric de spălat cu presiune de 2 200 W / Hidrolimpiadora eléctrica de 2200 W / Lavadora eléctrica de alta pressão 2200 W
- MCB1286PRW / TTB1288PRW
- SN: 000001-999999

Name and address of the manufacturer or his authorised representative:

Nom et adresse du fabricant ou de son mandataire:

Nazwa i adres producenta lub jego upoważnionego przedstawiciela:

Denumirea și adresa producătorului sau a reprezentantului său autorizat:

Nombre y dirección del fabricante o de su representante autorizado:

Nome e endereço do fabricante ou do respetivo mandatário:

Kingfisher International Products B.V.,
Rapenburgerstraat 175E,
1011 VM Amsterdam,
The Netherlands

This declaration of conformity is issued under the sole responsibility of the manufacturer.

La présente déclaration de conformité est établie sous la seule responsabilité du fabricant.

Niniejsza deklaracja zgodności wydana zostaje na wyłączną odpowiedzialność producenta.

Prezenta declarație de conformitate este emisă pe răspunderea exclusivă a producătorului.

La presente declaración de conformidad se expide bajo la exclusiva responsabilidad del fabricante.

A presente declaração de conformidade é emitida sob a exclusiva responsabilidade do fabricante.

Object of the declaration/Objet de la declaration/Przedmiot deklaracji/Obiectul declarației/Objeto de la declaración/Objeto da declaração

Product/Produit/Produkt/Produsul/Producto/Produto	Model/Modèle/Model/Modelul/Modelo/Modelo	EAN
Electric high pressure washer 2200 W / Nettoyeur haute pression électrique 2200 W / Myjka ciśnieniowa elektryczna 2200 W / Aparat electric de spălat cu presiune de 2 200 W / Hidrolimpiadora eléctrica de 2200 W / Lavadora eléctrica de alta pressão 2200 W	MCB1286PRW / TTB1288PRW	5063022719553 5063022719492 5063022719591 5063022719614

The object of the declaration described above is in conformity with the relevant Union harmonisation legislation:

L'objet de la déclaration décrit ci-dessus est conforme à la législation d'harmonisation de l'Union applicable:

Wymieniony powyżej przedmiot niniejszej deklaracji jest zgodny z odnośnymi wymaganiami unijnego prawodawstwa harmonizacyjnego:

Obiectul declarației descris mai sus este în conformitate cu legislația relevantă de armonizare a Uniunii:

El objeto de la declaración descrita anteriormente es conforme con la legislación de armonización pertinente de la Unión:

O objeto da declaração acima descrito está em conformidade com a legislação de harmonização da União aplicável:

2006/42/EC as amended Machinery Directive
2014/30/EU as amended Directive Electromagnetic compatibility
2011/65/EU, (EU) 2015/863 as amended Directive Restriction of the use of certain hazardous substances in electrical and electronic equipment
2012/19/EU as amended Waste Electrical and Electronic Equipment (WEEE)
Regulation (EC) No 1907/2006, concerning the Registration, Evaluation, Authorization and Restriction of Chemicals (REACH)

References to the relevant harmonised standards used or references to the other technical specifications in relation to which conformity is declared:

Références des normes harmonisées pertinentes appliquées, y compris la date de celles-ci, ou des autres spécifications techniques, y compris la date de celles-ci, par rapport auxquelles la conformité est déclarée: Odwołania do odnośnych norm zharmonizowanych, które zastosowano, wraz z datą normy, lub do innych specyfikacji technicznych, wraz z datą specyfikacji, w odniesieniu do których deklarowana jest zgodność:

Trimiteri la standardele armonizate relevante folosite, inclusiv data standardului, sau trimiteri la celelalte specificații tehnice, inclusiv data specificațiilor, în legătură cu care se declară conformitatea:

Referencias a las normas armonizadas pertinentes utilizadas, incluidas las fechas de las normas, o referencias a las otras especificaciones técnicas, incluidas las fechas de las especificaciones, respecto a las cuales se declara la conformidad:

Referências às normas harmonizadas aplicáveis utilizadas, incluindo a data da norma, ou às outras especificações técnicas, incluindo a data da especificação, em relação às quais é declarada a conformidade:

EN 60335-1:2012+A11:2014+A13:2017+A1:2019+A2:2019+A14:2019+A15:2021+A16:2023
EN 60335-2-79:2012
EN 62233:2008
EN IEC 55014-1:2021
EN IEC 55014-2:2021
EN IEC 61000-3-2:2019+A1:2021+A2:2024
EN IEC 61000-3-11:2019

Authorised signatory and technical file holder/signataire et responsable de la documentation technique autorisé/podmiot uprawniony do wystawienia i adres przechowywania dokumentacji technicznej/semnatar autorizat și deținător al dosarului tehnic/firmante autorizado y titular del expediente tecnico/signatário autorizado e detentor da ficha técnica

Kingfisher International Products B.V.,
Rapenburgerstraat 175E,
1011 VM Amsterdam,
The Netherlands



David Awe
Group Quality & Sustainability Director

: [04/30/2022]

Fabricante:

EU Manufacturer:

Kingfisher International Products B.V.,
Rapenburgerstraat 175E,
1011 VM Amsterdam,
The Netherlands

PT www.bricodepot.pt

**Para consultar manuais de instruções online,
visite www.kingfisher.com/products**