
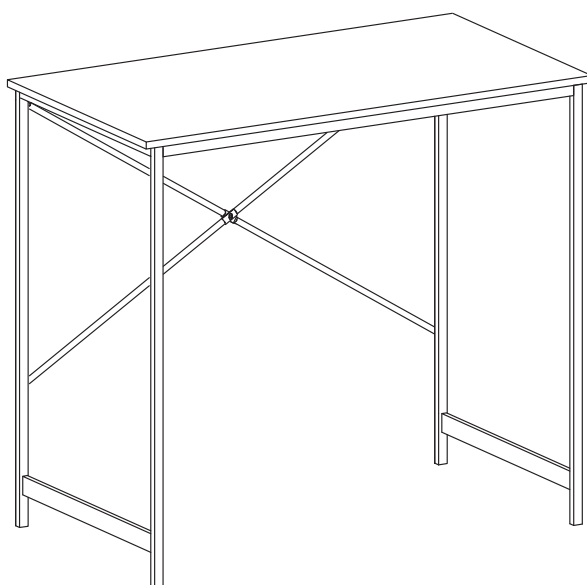


**DO NOT PRINT THIS PAGE -
IT IS FOR INFORMATION ONLY**



SEPARATIONS	JOB INFO	
	PID #: 215342_s2_s2 Agency Job #: PRJ20124 Product Description: Grey Oak Compact Desk	Brand: No Name Brand Contact: Chung Leung Kei Barcode: 5059340160825 5059340160214 Vendor: DongRong No. of New Line Drawings: 0 Page Size: A5 / No. of Pages:
	VERSION #	
	1 19/01/21 Mohit	2 03/02/21 Mohit
	3 17/03/21 Mohit	4 01/04/21 Wilson
	5 30/04/21 Wilson	6 10/05/21 Manisha
This file is the property of Kingfisher Group Plc. No copying, alteration or amendment is permitted without written authorisation from the Kingfisher Brand Team. 翠丰集团不会以专色(PMS)作参考，请参照已提供的印刷标准及Lab色彩数值生产以符合印刷品之标准。本文件的版权归翠丰集团所有。未经翠丰品牌团队的书面同意，不得对本文件进行复制、变更或修改。		

Mondovi



5059340160825



Contents

02



Safety

04



Installation

05

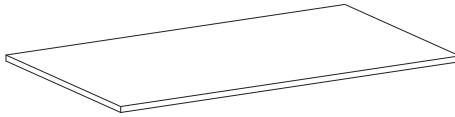
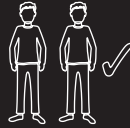


Care and Maintenance

07



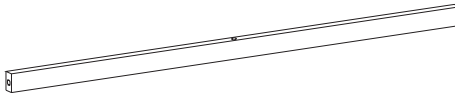
EN IMPORTANT - These instructions are for your safety. Please read through them thoroughly prior to installation and retain them for future reference.



[01] x1



[02] x2



[03] x2



[04] x2



[05] x4
M6 x 10 mm



[06] x1
M6 x 20 mm



[07] x4
M6 x 50 mm



[08] x1
M6



[09] x6
M5 x 35 mm



[10] x1



[11] x1



EN Before you start

- Check the pack and make sure that you have all parts listed above. If not contact your local store who will be able to help you.
- When you are ready to start, make sure that you have the right tools on hand, plenty of space and a clean dry area for furniture assembly.

Safety

IMPORTANT - RETAIN THIS INFORMATION FOR FUTURE REFERENCE: READ CAREFULLY.

- For domestic use only.
- Installation must be carried out following the manufacturer's instructions exactly.
- Always use on firm level ground.
- Periodic structural checks of this product should be undertaken, do not use if you have any doubts about its fitness for purpose.
- Do not sit or stand on the tabletop.
- Do not let children play with this product.
- This product must be set up by a competent adult.
- Maximum load is 60 kg.



01



[02] x2



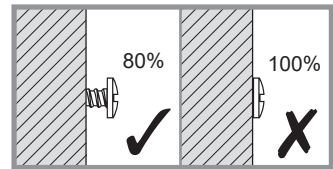
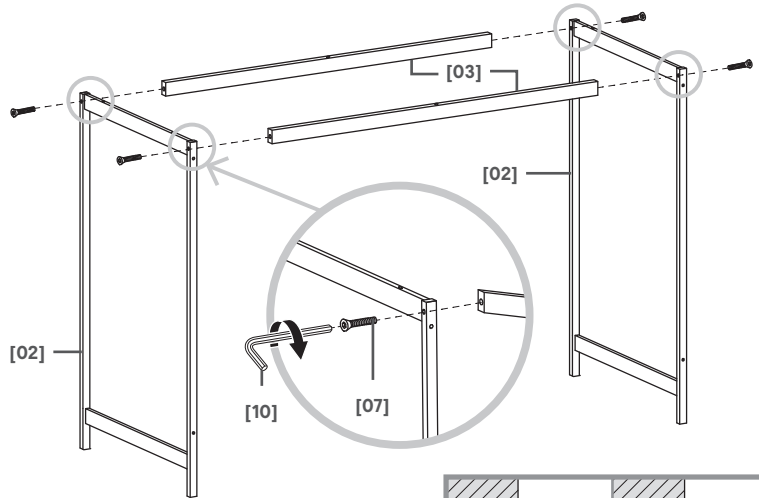
[03] x2



[07] x4



[10] x1



02

[04] x2



[05] x4



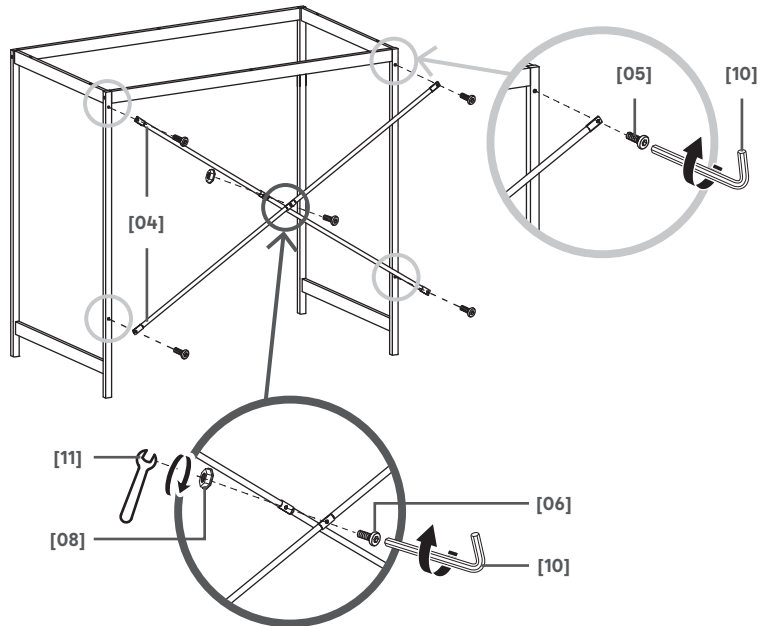
[06] x1



[08] x1



[11] x1





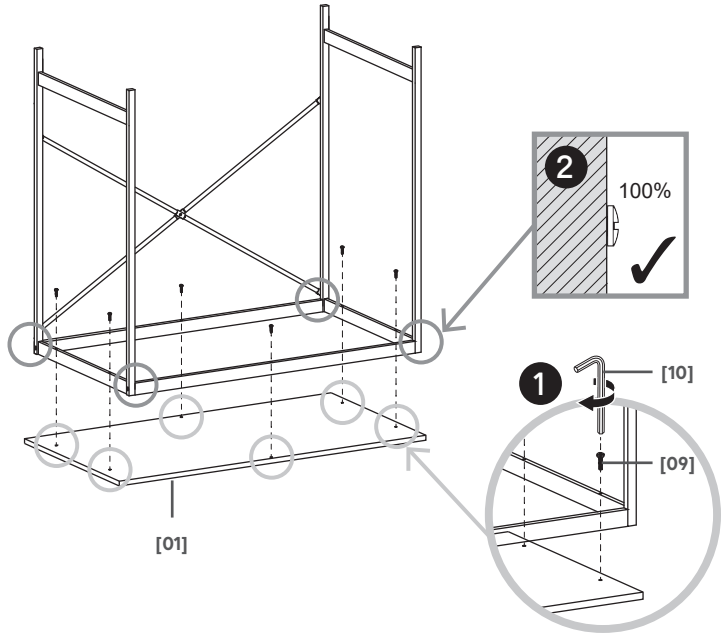
03



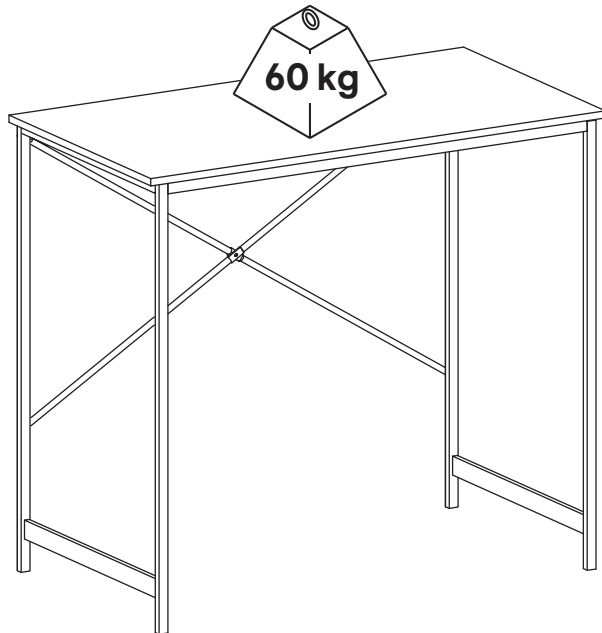
[01] x1

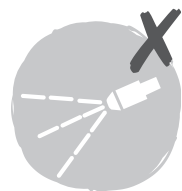
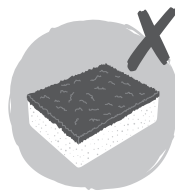
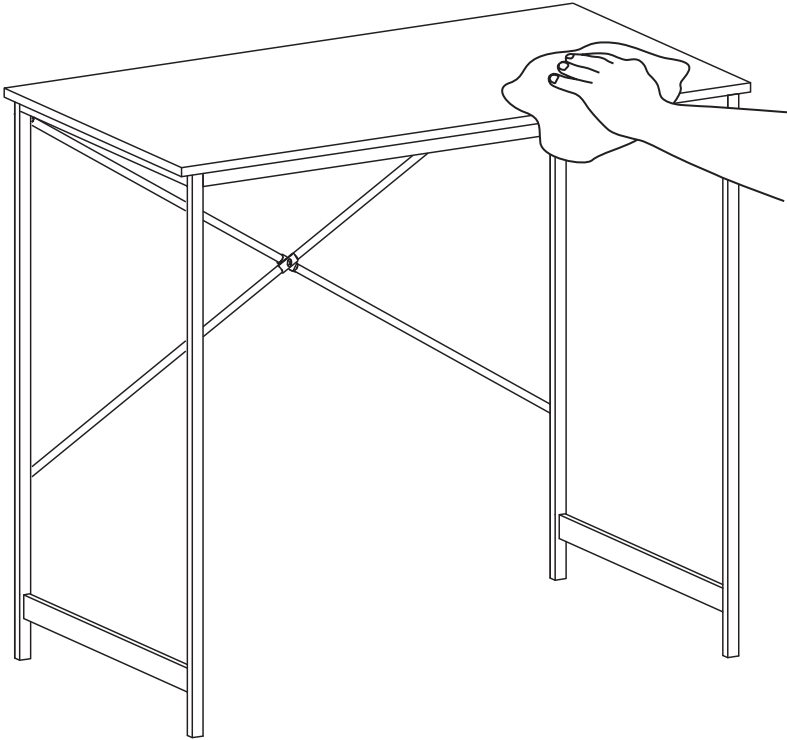


[09] x6



04





Manufacturer:

UK Manufacturer:

Kingfisher International Products Limited,
3 Sheldon Square, London, W2 6PX,
United Kingdom

EU Manufacturer:

Kingfisher International Products B.V.
Rapenburgerstraat 175E
1011 VM Amsterdam
The Netherlands
www.kingfisher.com/products

EN www.diy.com

**To view instruction manuals online,
visit www.kingfisher.com/products**