

## Grand

FREESTANDING ELECTRIC STOVE

RTOPSTV20GR



Grand Rouge

The Dimplex Grand Optimyst electric stove is a wonderful alternative to a gas or wood burning fire. It is suitable for many rooms including the lounge, dining room and conservatory. A stunning blend of simplicity and chic.

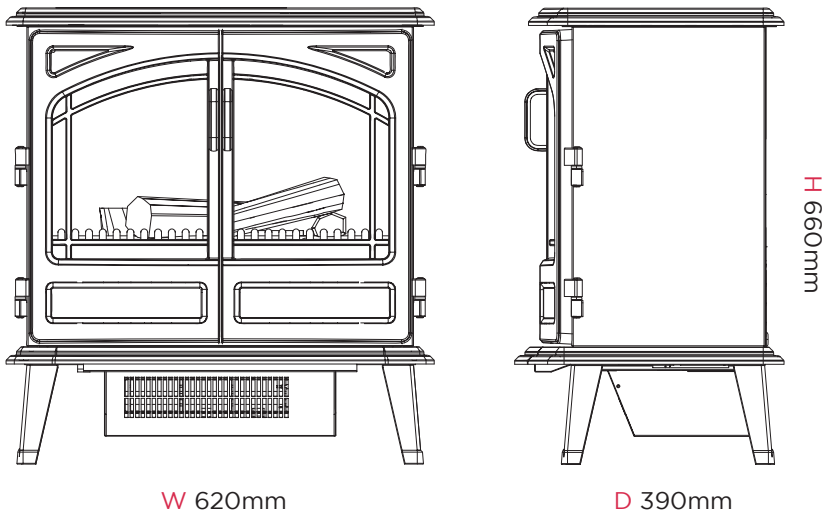
This electric fire features Optimyst technology which instantly adds an inviting, warming glow to the room. Optimyst uses ultrasonic technology to create the world's most realistic flame effect, with an ultra-fine water mist that mimics flame and smoke. As the mist rises through the logs, warm light is emitted which reflects against the water, creating an incredibly realistic 3D illusion of flames and smoke which is commonly mistaken for the real thing.

This fire uses a thermostat which switches the heat on and off to maintain heat levels. This fire can be operated manually by the function controls located on the unit or by the easy to use remote control

The Grand, a fitting name for this beautiful electric stove, combines the classic feeling of a wood burning stove with modern electric functionality.



## Grand



### Dimensions & Weight

| Height | Width | Depth | Weight | Power Cord Length |
|--------|-------|-------|--------|-------------------|
| 660mm  | 620mm | 390mm | 20.8kg | 1.8m              |

## Grand Crème



## Grand Noir



## Remote Control Operations

- On/off
- Heat settings
- Flame



## Features



### Unique Optimyst effect

An authentic and unique three dimensional flame and smoke effect created by lights reflecting against ultra fine filtered water mist



### 2kW heat output

Offering up to 2kW of heat via a fan heater.



### Choice of 2 heat settings

A choice of 1kW or 2kW heat output helping control running costs.



### Thermostat

Maintains the desired room temperature by automatically switching on and off.



### Remote control

Operate the fire from the comfort of your armchair.



### Fuel beds

Complete the look of a real fire with logs.



### Flame effect only

Enjoy the ambience of the flickering flame effect any time without the heat.



### Opening Doors

This stove has two opening doors for added realism



### Freestanding

Quick and easy to install - fully assembled and ready to plug in and go, ideal for use around the home