

N 50, BUILT-IN FREEZER, 177.2 X 55.8 CM, FLAT HINGE
G17812EE0G



Included accessories

1 x ice cube tray

Optional accessories

KSOB0SZ0 Heavy-duty hinge support

This NoFrost built-in freezer needs no defrosting and features a malfunction warning signal in case of increasing temperature.

- ✓ No Frost – No more defrosting your freezer.
- ✓ Vario Zone – Personalise your drawers with various loading options to find the perfect fit.

Features

Technical Data

Energy Efficiency Class:E
 Average annual energy consumption in kilowatt hour per year (kWh/a): 235 kWh/a
 Sum of volume of frozen compartments: 212 l
 Airborne acoustical noise emissions : 35 dB(A) re 1 pW
 Airborne acoustical noise emission class: B
 Thermometer freeze section: Digital
 Light: No
 Product category: Upright freezer
 Construction type: Built-in
 Door panel options: Not possible
 Frost free system: Fridge and freezer
 Height of the appliance: 1772 mm
 Width of the appliance: 558 mm
 Depth of the product: 545 mm
 Dimensions of the packed product (HxWxD): 1840 x 610 x 640 mm
 Net weight: 64.1 kg
 Gross weight: 68.8 kg
 Fuse protection: 13 A
 Frequency: 50 Hz
 Length of electrical supply cord: 230.0 cm
 Door hinge: Left reversible
 Warning signal / malfunction: Both visual and audible
 Door lock: No
 Number of drawers/baskets (Stck): 5
 Number of freezing flaps (Stck): 2
 EAN code: 4242004274902
 Brand: Neff
 Product name / Commercial code: G17812EE0G
 Product category: Upright freezer
 Included accessories: 1 x ice cube tray



N 50, BUILT-IN FREEZER, 177.2 X 55.8 CM, FLAT
HINGE
G17812EE0G

Features

- Full frost free, Built-in freezer
- Fixed hinge

Performance and Consumption

- EU19_EEK_D: E
- Total Volume : 212 l
- Annual Energy Consumption: 235 kWh/a
- EU19_Fast freezer facility_D
- Noise Level : 35 dB , EU19_Noise emission class_D: B

Functions

Design features

- NO_FROST_NEU_BL, never have to defrost ever again
- Fixed hinge
- 1 compressor/1 cold circuit
- SuperFreeze function with automatic deactivation
- Freezer malfunction warning signal: optical, acoustical

Freezer Section

- Net Freezer Volume : 212 l
- Net 4* compartment volume : 212 l
- Freezing capacity 24h : 13.8 kg
- Temperature rise time : EU19_Temperature rise time_D: 8 H
- 2 hinged freezer compartment
- 5 transparent freezer drawers, 2

Technical Information

- Left hinged door, reversible
- 220 - 240 V
- Climate Class: SN-T
- Length of power cord:230 cm

Dimension and installation

- Niche Dimensions: 177.5 cm H x 56 cm W x 55 cm D
- Dimensions: 177.2 cm H x 55.8 cm W x 54.5 cm D

Accessories

- ice cube tray

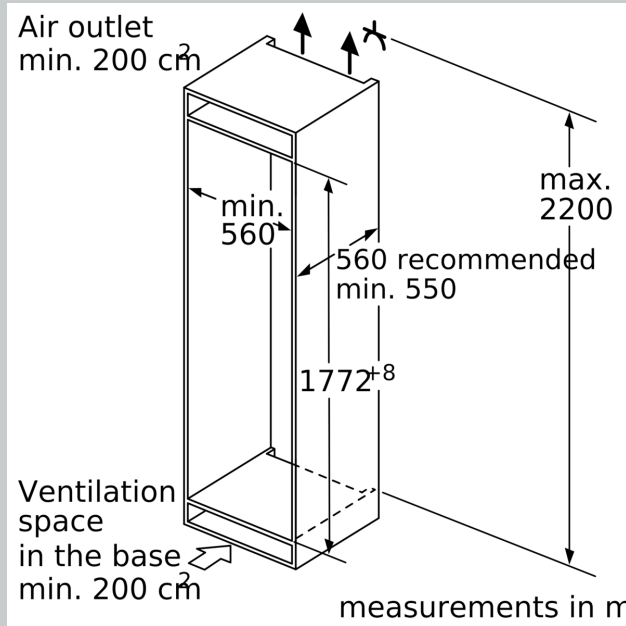
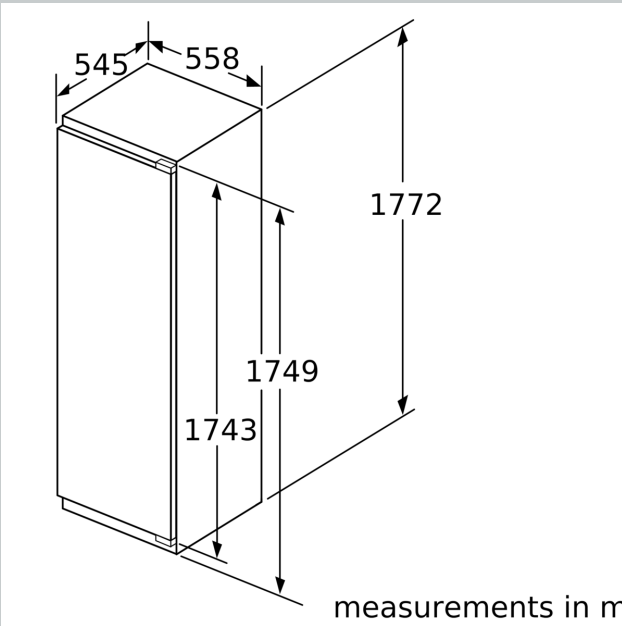
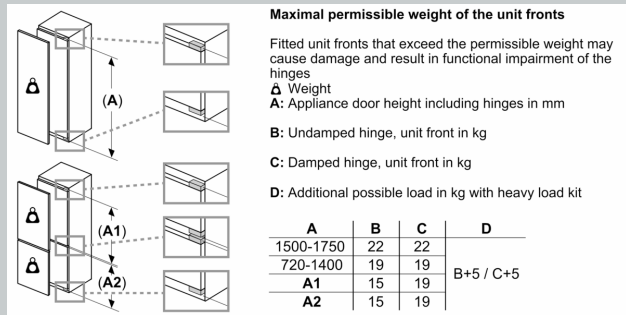
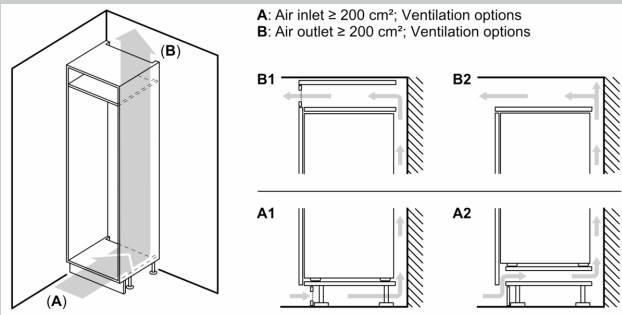
Country Specific Options

- Based on the results of the standard 24-hour test. Actual consumption depends on usage/position of the appliance.

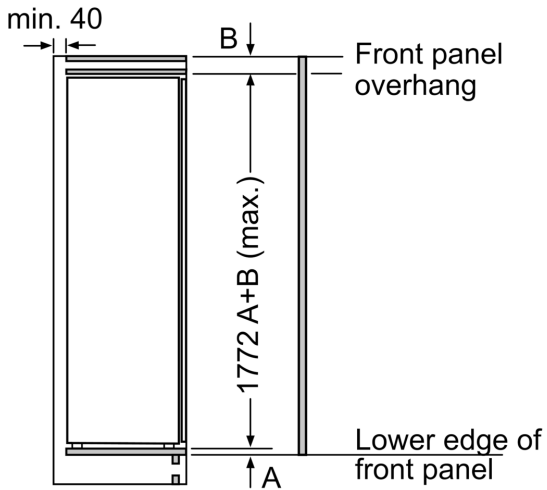
Additional features

N 50, BUILT-IN FREEZER, 177.2 X 55.8 CM, FLAT HINGE
G17812EE0G

Dimensioned drawings

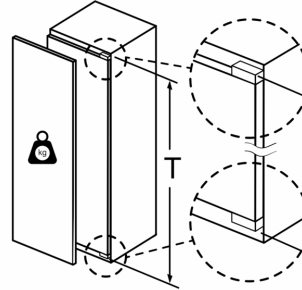


Dimensioned drawings



measurements in mm

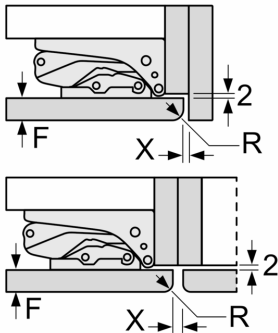
Maximal permissible weight of the unit fronts



Fitted kitchen unit doors that exceed the permissible weight may cause damage and result in functional impairment of the hinges.

T: Includes height of appliance door Hinges in mm:	undamped hinge, Door in kg:	damped hinge, Door in kg:
1500-1750	22	22

measurements in mm
Recommended gap dimensions for flat hinges



F	R	X
16-19	0-3	2.5
20	0-1	3
	2-3	2.5
21	0-1	3
	2-3	2.5
22	0	4
	1	3.5
	2-3	3

The gap dimensions recommended in the table must be adhered to in order to ensure that appliance doors do not collide with anything when they are opened, and to avoid causing damage to kitchen units.